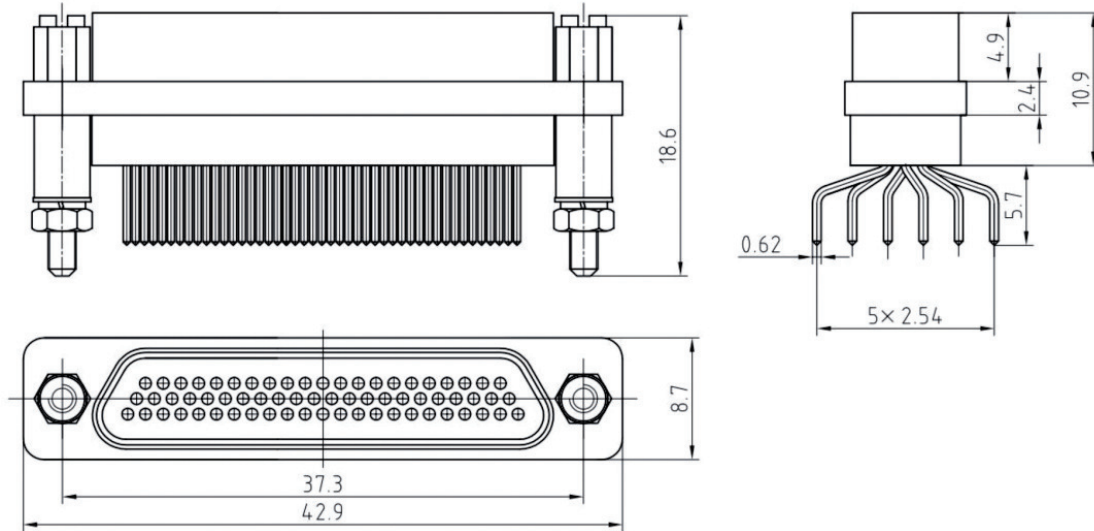


	Product name	Micro Rectangular Connectors	Doc No.	
	PN	J30J	Version	A

2.2 J30J1-A66ZKNP5 Overall dimension



Printed Circuit Board Hole Size

