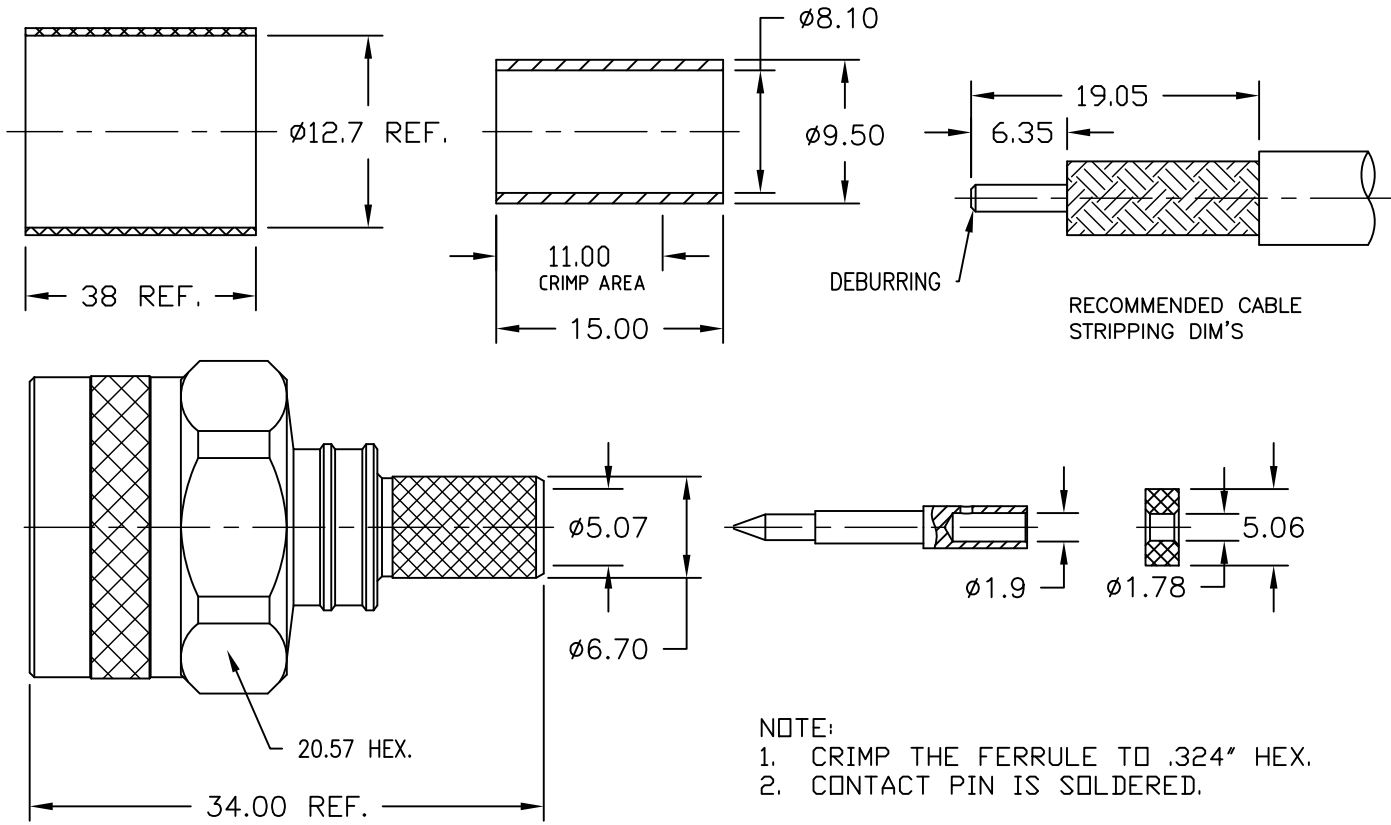


**NOTICE OF PROPRIETARY RIGHTS** THIS DOCUMENT CONTAINS CONFIDENTIAL TECHNICAL DATA, INCLUDING TRADE SECRETS, PROPRIETARY TO TIMES MICROWAVE SYSTEMS. DISCLOSURE OF THIS DATA IS EXPRESSLY CONDITIONED UPON YOUR ASSENT THAT ITS USE IS LIMITED TO USE WITHIN YOUR COMPANY ONLY. ANY OTHER USE IS STRICTLY PROHIBITED WITHOUT THE PRIOR WRITTEN CONSENT OF TIMES MICROWAVE SYSTEMS.

SYM	REVISION DESCRIPTION	DFTM	DATE	APPD	DATE
A	RELEASED FOR PRODUCTION	N.N.N	5/13/13	J.D.B.	5/15/13
B	CHANGED PER CDC #37744	N.N.N	5/28/13	J.D.B.	5/30/13



- NOTE:  
 1. CRIMP THE FERRULE TO .324" HEX.  
 2. CONTACT PIN IS SOLDERED.

ALL PARTS SATISFIED ROHS REQUIREMENTS

MATERIALS AND PLATING		UNIT: MICRO-INCHES	ELECTRICAL CHARACTERISTICS	
BODY/SHELL	BRASS C3604	ALBALOY 80 MIN/COPPER	Impedance	50 Ω
CONTACT PIN	BRASS C3604	GOLD 50 MIN/COPPER	Voltage rating	500V(rms)
INSULATOR	TEFLON MIL-P-19468	N/A	Frequency range	0~6GHz
FERRULE	BRASS	ALBALOY 80 MIN/COPPER	Dielectric withstanding voltage	1000V
SHRINK TUBING	PO	BLACK	Contact resistance	(Center contact) ≤ 2.5mΩ (Outer contact) ≤ 0.2mΩ
			Insulation resistance	≥ 5000MΩ
			Insertion loss	According to the cable
			RF- leakage	N/A
			VSWR	≤ 1.35
			3rd Intermodulation	N/A
MECHANICAL CHARACTERISTICS			ENVIRONMENTAL CHARACTERISTICS	
Force to engage and disengage	N/A		Temperature range	-65°C- +165°C
Center contact retention force	N/A		Thermal shock	US MIL- STD 202, Meth. 107, Cond. B
Recommended coupling torque	6-10 in-lbs		Vibration	US MIL- STD 202, Meth. 204, Cond. B
Coupling nut retention force	100 lbs		Shock	US MIL- STD 202, Meth. 213, Cond. I
Durability	≥ 500 cycles		Climatic class	IEC 60068 65/165/21
			Waterproof	N/A

MATERIAL:	UNLESS OTHERWISE SPECIFIED	DFTM:	N, N, N	TIMES MICROWAVE SYSTEMS
		DATE:	5/13/13	
USED ON: ~	ALL DIMENSIONS ARE IN mm MACHINED SURFACES FINISH 1.6 RMS MAX. REMOVE ALL BURRS 0.15X45° MAX. BREAK MACHINE CORNERS 0.15X45° MAX. FILLET R. TOLERANCES ON DECIMALS .X ± 0.3 .XX ± 0.2 ANGLES ± 2.0° FRACTIONS ± N/A	CHKD:	J. D. B.	<b>TC-300-NMH-X</b> "N" MALE FOR LMR-300 CABLE SOLDER/CRIMP/NO BRAID TRIM
		DATE:	5/15/13	
SCALE: N/A	DWG. SIZE: A	APPD:	J. D. B.	1 of 1   SD3190-2861   B
DO NOT SCALE DRAWING	CODE IDENT: 68999	DATE:	5/15/13	

# Mouser Electronics

Authorized Distributor

Click to View Pricing, Inventory, Delivery & Lifecycle Information:

[Amphenol:](#)

[TC-300-NMH-X](#)