

# 300MHz to 6GHz High Signal Level Active Downconverting Mixer

## FEATURES

- +30dBm IIP3
- +15dBm Input P1dB
- 0dB Conversion Gain
- Wideband Differential IF Output
- Very Low  $2 \times 2$  and  $3 \times 3$  Spurs
- IF Frequency Range Up to 1.5GHz
- Low LO-RF Leakage
- LO Input  $50\Omega$  Matched when Shutdown
- $-40^\circ\text{C}$  to  $105^\circ\text{C}$  Operation ( $T_C$ )
- Very Small Solution Size
- 16-Lead (4mm  $\times$  4mm) QFN package

## APPLICATIONS

- Wireless Infrastructure Receivers
- DPD Observation Receivers
- CATV Infrastructure

## DESCRIPTION

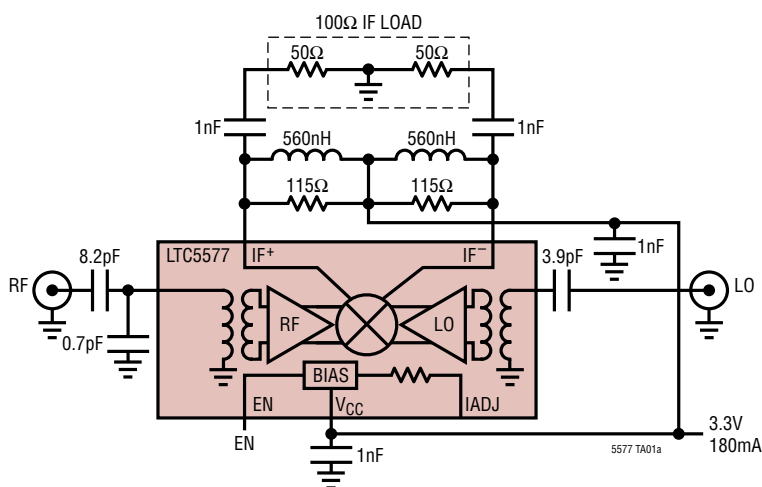
The **LTC<sup>®</sup>5577** active mixer is optimized for RF downconverting applications that require high input signal handling capability and wide bandwidth. The wideband IF output uses external resistors to set the output impedance, allowing the flexibility to match directly into differential IF loads, such as filters and amplifiers. The part is characterized and specified with a  $100\Omega$  differential output impedance, although it can be used with output impedances ranging from  $50\Omega$  to  $400\Omega$ , with higher gain and reduced IIP3 and P1dB at the higher impedance levels. The IF output is usable up to 1.5GHz.

In receiver applications, the high input P1dB and IIP3 allow the use of higher gain low noise amplifiers, resulting in higher receiver sensitivity. Integrated transformers on the RF and LO inputs provide single-ended  $50\Omega$  interfaces, while minimizing the solution size.

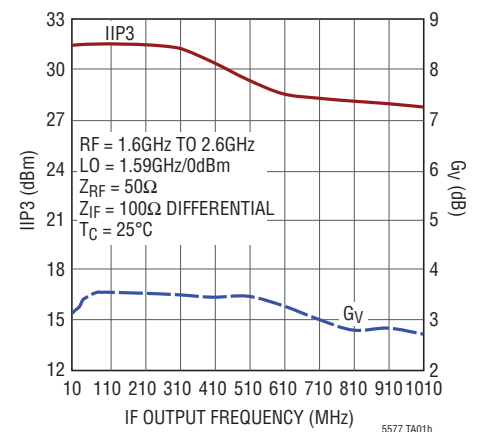
LT, LT, LTC, LTM, Linear Technology and the Linear logo are registered trademarks of Linear Technology Corporation. All other trademarks are the property of their respective owners.

## TYPICAL APPLICATION

Wideband Downconverting Mixer with 1GHz IF Bandwidth and +15dBm Input P1dB into  $100\Omega$  Load



Voltage Conversion Gain and IIP3 vs IF Output Frequency

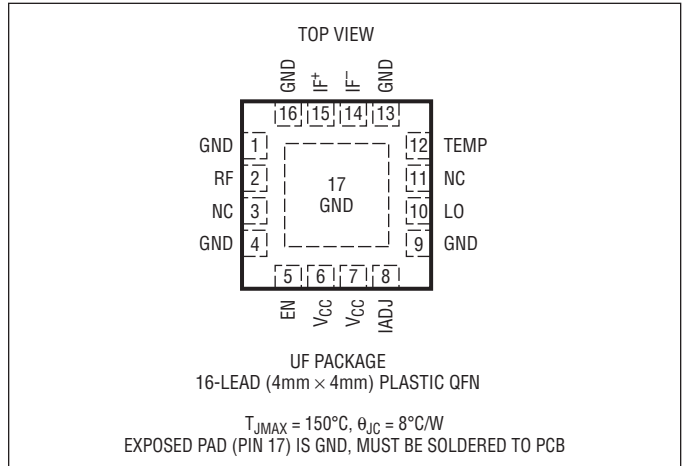


## ABSOLUTE MAXIMUM RATINGS

(Note 1)

Supply Voltage ( $V_{CC}$ , $IF^+$ , $IF^-$ ) .....	4.0V
Enable Input Voltage (EN) .....	-0.3V to $V_{CC} + 0.3V$
LO Input Power (300MHz to 6GHz) .....	+10dBm
LO Input DC Voltage .....	$\pm 0.1V$
RF Input Power (300MHz to 6GHz) .....	+18dBm
RF Input DC Voltage .....	$\pm 0.1V$
TEMP Monitor Input Current .....	10mA
Operating Temperature Range ( $T_C$ ) .....	-40°C to 105°C
Junction Temperature ( $T_J$ ) .....	150°C
Storage Temperature Range .....	-65°C to 150°C

## PIN CONFIGURATION



CAUTION: THIS PART IS SENSITIVE TO ELECTROSTATIC DISCHARGE (ESD). PROPER ESD HANDLING PRECAUTIONS MUST BE OBSERVED.

## ORDER INFORMATION

LEAD FREE FINISH	TAPE AND REEL	PART MARKING	PACKAGE DESCRIPTION	CASE TEMPERATURE RANGE
LTC5577IUF#PBF	LTC5577IUF#TRPBF	5577	16-Lead (4mm x 4mm) Plastic QFN	-40°C to 105°C

Consult LTC Marketing for parts specified with wider operating temperature ranges.

Consult LTC Marketing for information on nonstandard lead based finish parts.

For more information on lead free part marking, go to: <http://www.linear.com/leadfree/>

For more information on tape and reel specifications, go to: <http://www.linear.com/tapeandreeel/>

## AC ELECTRICAL CHARACTERISTICS

The ● denotes the specifications which apply over the full operating temperature range, otherwise specifications are at  $T_C = 25^{\circ}C$ ,  $V_{CC} = 3.3V$ , EN = High. Test circuit shown in Figure 1. (Notes 2, 3, 4)

PARAMETER	CONDITIONS	MIN	TYP	MAX	UNITS
RF Input Frequency Range	External Matching Required	●	300 to 6000		MHz
LO Input Frequency Range	External Matching Required	●	300 to 6000		MHz
IF Output Frequency Range	External Matching Required	●	1 to 1500		MHz
RF Input Return Loss	$Z_0 = 50\Omega$ , 1300MHz to 4300MHz, C3 = 8.2pF, C4 = 0.7pF		>10		dB
LO Input Return Loss	$Z_0 = 50\Omega$ , 930MHz to 4000MHz, C5 = 3.9pF		>10		dB
$IF^+$ , $IF^-$ Output Return Loss	$Z_0 = 50\Omega$ , 20MHz to 500MHz, L1, L2 = 560nH, R1, R2 = 115 $\Omega$		>10		dB
LO Input Power		-6	0	6	dBm
RF to LO Isolation	RF = 300MHz to 2500MHz		>64		dB
	RF = 2500MHz to 4000MHz		>50		dB
	RF = 4000MHz to 6000MHz		>40		dB
RF to IF Isolation	RF = 300MHz to 6000MHz		>30		dB

**AC ELECTRICAL CHARACTERISTICS** The ● denotes the specifications which apply over the full operating temperature range, otherwise specifications are at  $T_C = 25^\circ\text{C}$ .  $V_{CC} = 3.3\text{V}$ ,  $EN = \text{High}$ ,  $P_{LO} = 0\text{dBm}$ ,  $IF = 153\text{MHz}$ ,  $P_{RF} = -3\text{dBm}$  ( $-3\text{dBm}/\text{tone}$  for 2-tone tests), unless otherwise noted. Test circuit shown in Figure 1. (Notes 2, 3, 4)

PARAMETER	CONDITIONS	MIN	TYP	MAX	UNITS
Power Conversion Gain	RF = 450MHz, High Side LO		-0.5		dB
	RF = 850MHz, High Side LO		0.5		dB
	RF = 1900MHz, Low Side LO	-1.0	0.7		dB
	RF = 2550MHz, Low Side LO		0.5		dB
	RF = 3500MHz, Low Side LO		0.2		dB
	RF = 4900MHz, Low Side LO, IF = 900MHz		0.1		dB
	RF = 5900MHz, Low Side LO, IF = 900MHz		-0.7		dB
Conversion Gain Flatness	RF = 1900 $\pm$ 140MHz, LO = 1747MHz, IF = 153 $\pm$ 140MHz		$\pm$ 0.2		dB
Conversion Gain vs Temperature	$T_C = -40^\circ\text{C}$ to $105^\circ\text{C}$ , RF = 1900MHz, Low Side LO	●	-0.013		dB/ $^\circ\text{C}$
2-Tone Input 3rd Order Intercept ( $\Delta f_{RF} = 2\text{MHz}$ )	RF = 450MHz, High Side LO		29.5		dBm
	RF = 850MHz, High Side LO		29.8		dBm
	RF = 1900MHz, Low Side LO		30.2		dBm
	RF = 2550MHz, Low Side LO		31.0		dBm
	RF = 3500MHz, Low Side LO		28.0		dBm
	RF = 4900MHz, Low Side LO, IF = 900MHz		24.0		dBm
	RF = 5900MHz, Low Side LO, IF = 900MHz		26.0		dBm
2-Tone Input 2nd Order Intercept ( $\Delta f_{RF} = 154\text{MHz} = f_{IM2}$ )	RF = 450MHz (527MHz/373MHz), LO = 603MHz		68		dBm
	RF = 850MHz (927MHz/773MHz), LO = 1003MHz		68		dBm
	RF = 1900MHz (1977MHz/1823MHz), LO = 1747MHz		61		dBm
	RF = 2550MHz (2627MHz/2473MHz), LO = 2397MHz		60		dBm
	RF = 3500MHz (3577MHz/3423MHz), LO = 3347MHz		66		dBm
SSB Noise Figure	RF = 450MHz, High Side LO		13.4		dB
	RF = 850MHz, High Side LO		11.7		dB
	RF = 1900MHz, Low Side LO		11.8	14.0	dB
	RF = 2550MHz, Low Side LO		12.5		dB
	RF = 3500MHz, Low Side LO		14.3		dB
	RF = 4900MHz, Low Side LO, IF = 900MHz		15.2		dB
	RF = 5900MHz, Low Side LO, IF = 900MHz		15.0		dB
SSB Noise Figure Under Blocking	RF = 850MHz, High Side LO, 750MHz Blocker at 5dBm		16.1		dB
	RF = 1900MHz, Low Side LO, 2000MHz Blocker at 5dBm		15.8		dB
1/2IF Output Spurious Product ( $f_{RF}$ Offset to Produce Spur at $f_{IF} = 153\text{MHz}$ )	850MHz: $f_{RF} = 926.5\text{MHz}$ at $-3\text{dBm}$ , $f_{LO} = 1003\text{MHz}$		-85		dBc
	1900MHz: $f_{RF} = 1823.5\text{MHz}$ at $-3\text{dBm}$ , $f_{LO} = 1747\text{MHz}$		-79		dBc
1/3IF Output Spurious Product ( $f_{RF}$ Offset to Produce Spur at $f_{IF} = 153\text{MHz}$ )	850MHz: $f_{RF} = 952\text{MHz}$ at $-3\text{dBm}$ , $f_{LO} = 1003\text{MHz}$		-86		dBc
	1900MHz: $f_{RF} = 1798\text{MHz}$ at $-3\text{dBm}$ , $f_{LO} = 1747\text{MHz}$		-81		dBc
Input 1dB Compression	RF = 450MHz, High Side LO		15.7		dBm
	RF = 850MHz, High Side LO		15.3		dBm
	RF = 1900MHz, Low Side LO		15.2		dBm
	RF = 2550MHz, Low Side LO		15.6		dBm
	RF = 3500MHz, Low Side LO		15.4		dBm
	RF = 4900MHz, Low Side LO, IF = 900MHz		14.0		dBm
	RF = 5900MHz, Low Side LO, IF = 900MHz		13.5		dBm
LO to RF Leakage	LO = 300MHz to 2500MHz		$\leq$ 60		dBm
	LO = 2500MHz to 5200MHz		$\leq$ 50		dBm
	LO = 5200MHz to 6000MHz		$\leq$ 35		dBm
LO to IF Leakage	LO = 300MHz to 1800MHz		$\leq$ 28		dBm
	LO = 1800MHz to 6000MHz		$\leq$ 33		dBm

## DC ELECTRICAL CHARACTERISTICS

The ● denotes the specifications which apply over the full operating temperature range, otherwise specifications are at  $T_C = 25^\circ\text{C}$ ,  $V_{CC} = 3.3\text{V}$ ,  $\text{EN} = \text{High}$ , unless otherwise noted. Test circuit shown in Figure 1. (Note 2)

PARAMETER	CONDITIONS		MIN	TYP	MAX	UNITS
Supply Voltage ( $V_{CC}$ )		●	3.0	3.3	3.6	V
Supply Current	Enabled Disabled			180	217 200	mA $\mu\text{A}$
<b>Enable Logic Input (EN)</b>						
Input High Voltage (On)		●	2.5			V
Input Low Voltage (Off)		●			0.3	V
Input Current	$-0.3\text{V}$ to $V_{CC} + 0.3\text{V}$		-60		200	$\mu\text{A}$
Turn-On Time				0.3		$\mu\text{s}$
Turn-Off Time				0.1		$\mu\text{s}$
<b>Mixer DC Current Adjust (IADJ)</b>						
Open-Circuit DC Voltage				2.2		V
Short-Circuit DC Current	Pin Shorted to Ground			3.6		mA
<b>Temperature Sensing Diode (TEMP)</b>						
DC Voltage at $T_J = 25^\circ\text{C}$	$I_{IN} = 10\mu\text{A}$ $I_{IN} = 80\mu\text{A}$			716 773		mV mV
Voltage Temperature Coefficient	$I_{IN} = 10\mu\text{A}$ $I_{IN} = 80\mu\text{A}$	● ●		-1.75 -1.56		$\text{mV}/^\circ\text{C}$ $\text{mV}/^\circ\text{C}$

**Note 1:** Stresses beyond those listed under Absolute Maximum Ratings may cause permanent damage to the device. Exposure to any Absolute Maximum Rating condition for extended periods may affect device reliability and lifetime.

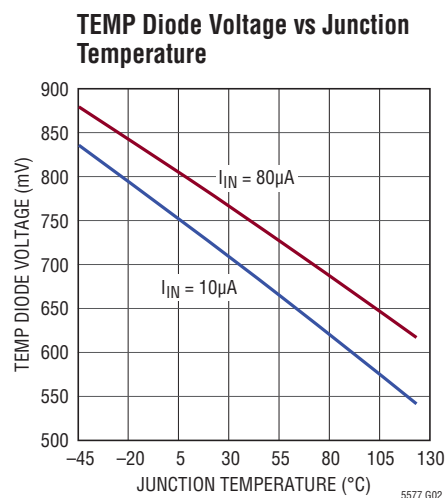
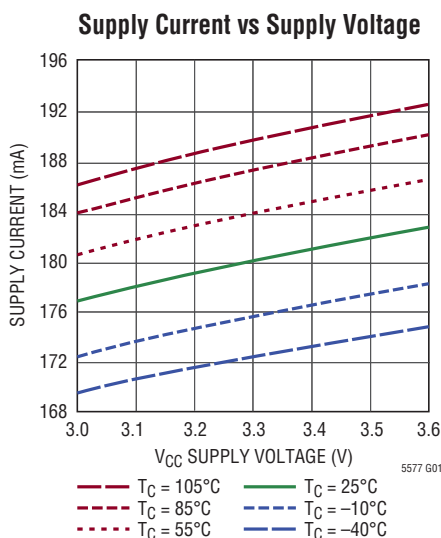
**Note 2:** The LTC5577 is guaranteed functional over the  $-40^\circ\text{C}$  to  $105^\circ\text{C}$  case temperature range ( $\theta_{JC} = 8^\circ\text{C}/\text{W}$ ).

**Note 3:** SSB Noise Figure measured with a small-signal noise source, bandpass filter and 2dB matching pad on RF input, and bandpass filter on the LO input.

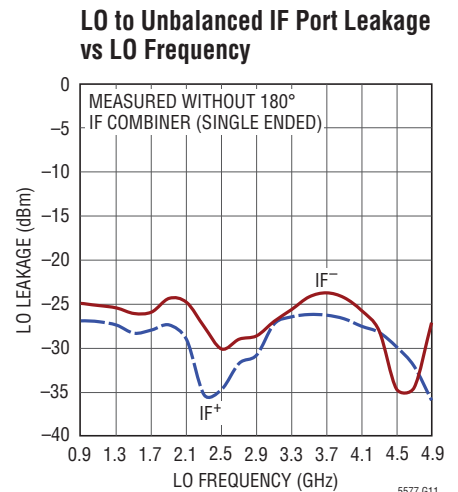
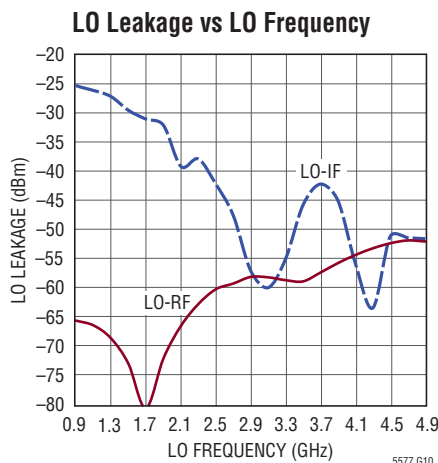
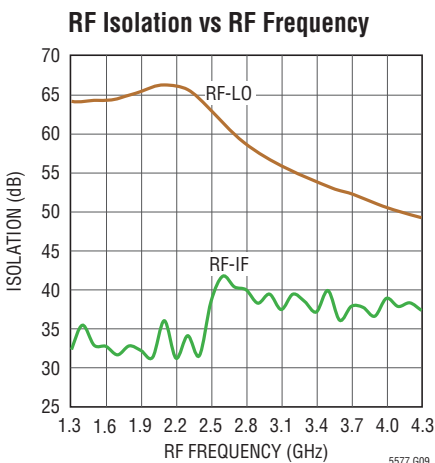
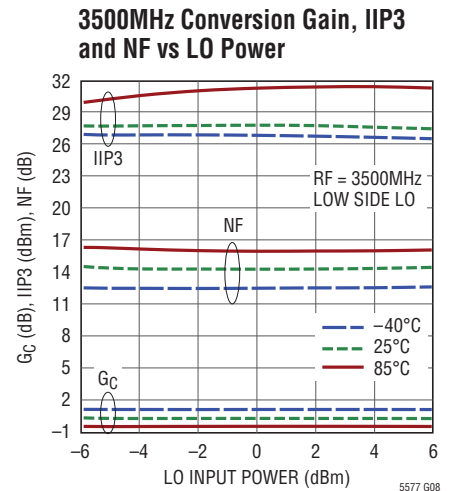
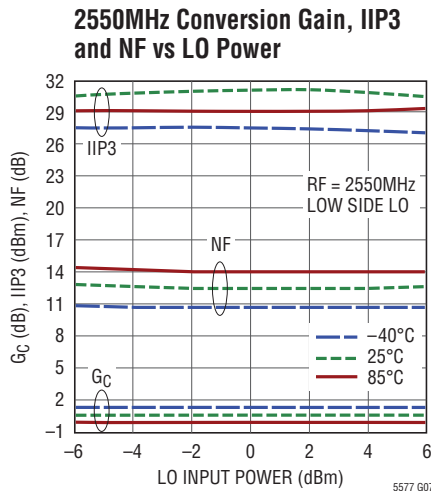
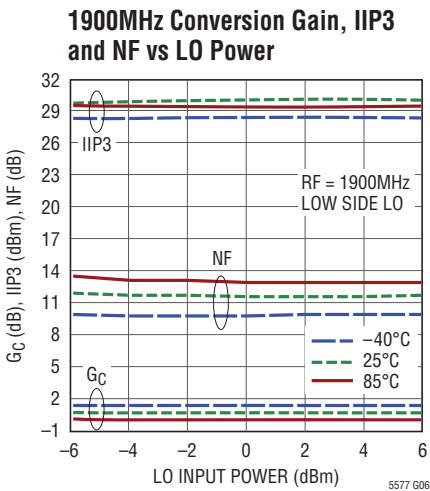
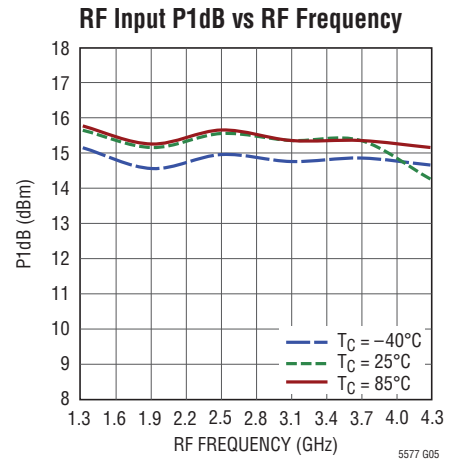
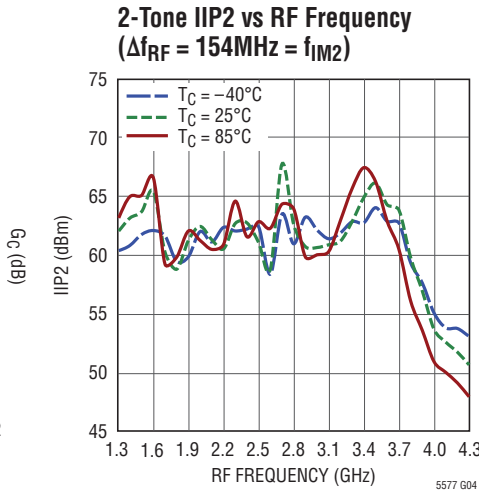
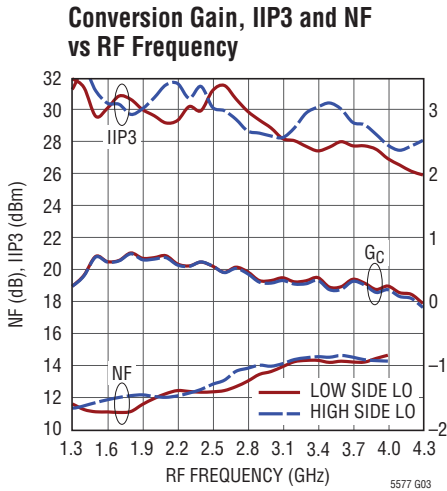
**Note 4:** Specified performance excludes external  $180^\circ$  IF combiner loss.

## TYPICAL DC PERFORMANCE CHARACTERISTICS

EN = High, Test circuit shown in Figure 1.

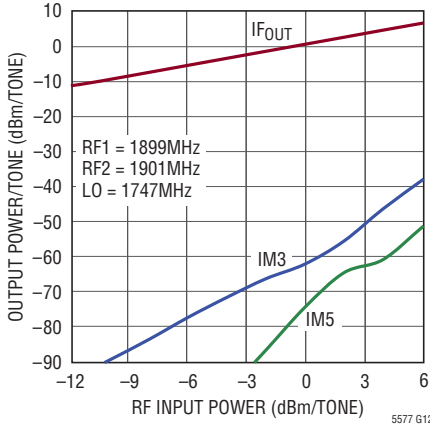


**TYPICAL PERFORMANCE CHARACTERISTICS** 1300MHz to 4300MHz application. Test circuit shown in Figure 1.  $V_{CC}=3.3V$ ,  $T_C=25^\circ C$ ,  $P_{LO}=0dBm$ ,  $P_{RF}=-3dBm$  ( $-3dBm$ /tone for 2-tone IIP3 tests,  $\Delta f=2MHz$ ),  $IF=153MHz$ , unless otherwise noted.



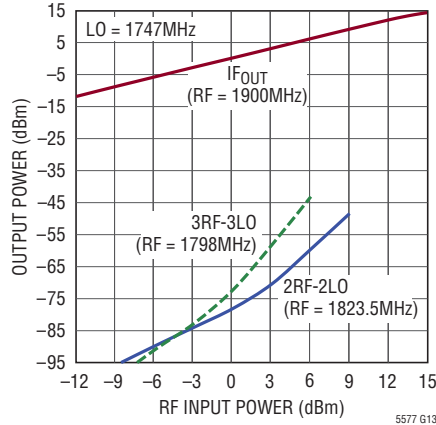
**TYPICAL PERFORMANCE CHARACTERISTICS** 1300MHz to 4300MHz application. Test circuit shown in Figure 1.  $V_{CC} = 3.3V$ ,  $T_C = 25^\circ C$ ,  $P_{LO} = 0dBm$ ,  $P_{RF} = -3dBm$  (-3dBm/tone for 2-tone IIP3 tests,  $\Delta f = 2MHz$ ),  $IF = 153MHz$ , unless otherwise noted.

**2-Tone IF Output Power, IM3 and IM5 vs RF Input Power**



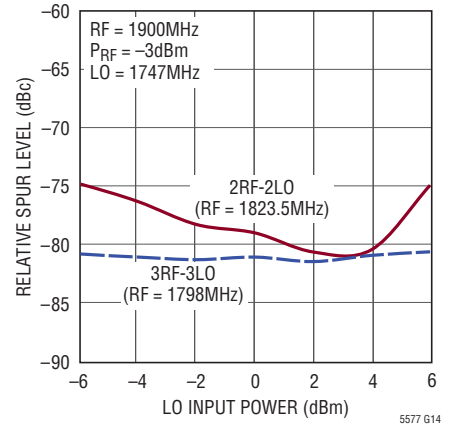
5577 G12

**Single Tone IF Output Power, 2 x 2 and 3 x 3 Spurs vs RF Input Power**



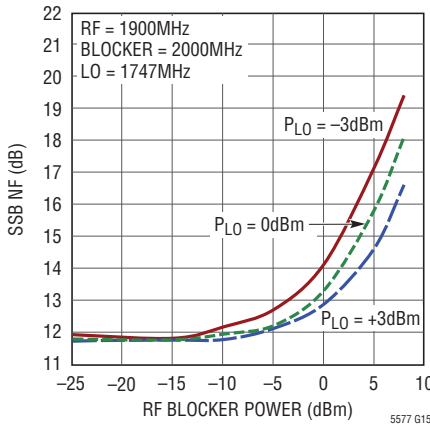
5577 G13

**2 x 2 and 3 x 3 Spur Suppression vs LO Power**



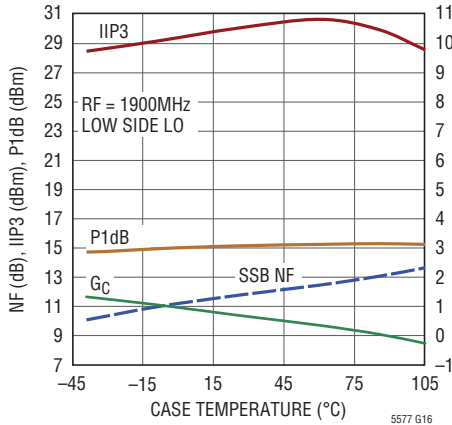
5577 G14

**SSB Noise Figure vs RF Blocker Level**



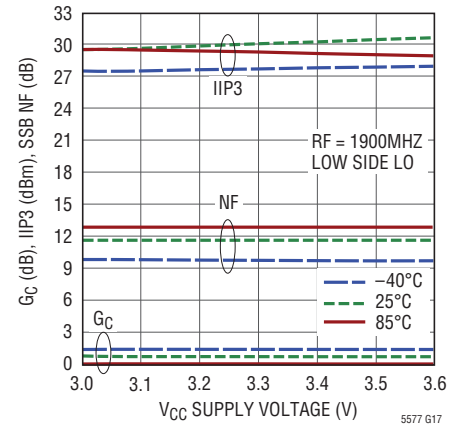
5577 G15

**Conversion Gain, IIP3, NF and RF Input P1dB vs Temperature**



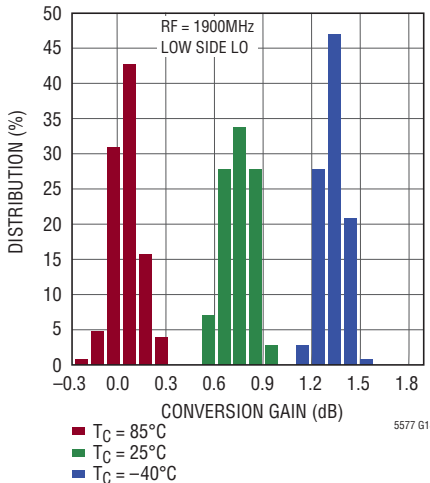
5577 G16

**Conversion Gain, IIP3 and NF vs Supply Voltage**



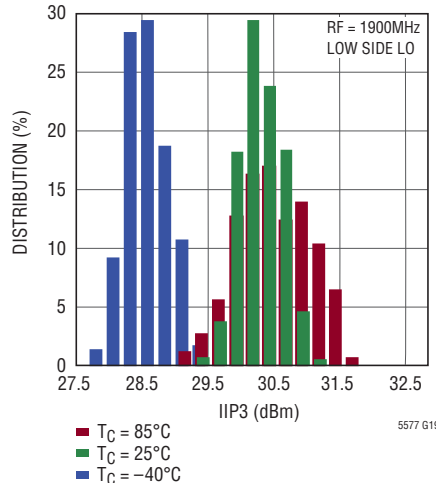
5577 G17

**1900MHz Conversion Gain Distribution**



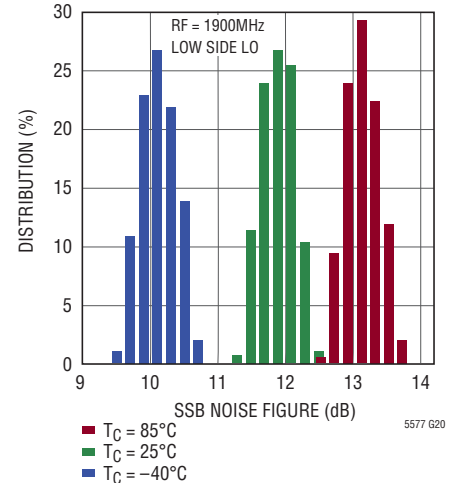
5577 G18

**1900MHz IIP3 Distribution**



5577 G19

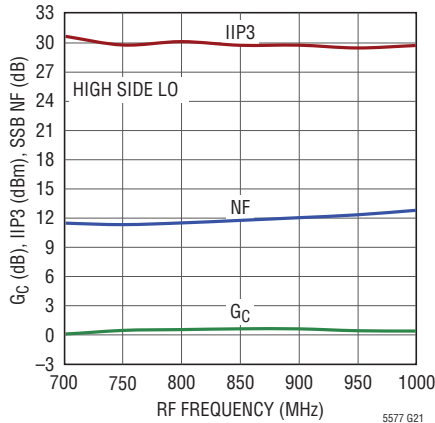
**1900MHz SSB NF Distribution**



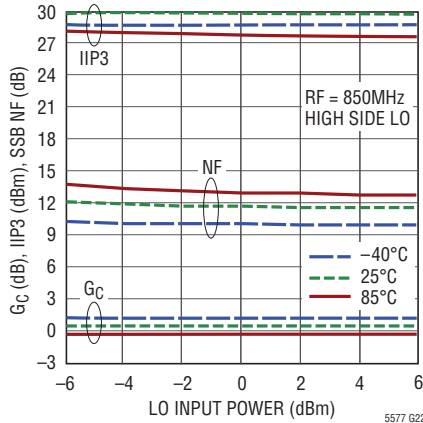
5577 G20

**TYPICAL PERFORMANCE CHARACTERISTICS** 700MHz to 1000MHz application. Test circuit shown in Figure 1.  $V_{CC}=3.3V$ ,  $T_C=25^\circ C$ ,  $P_{LO}=0dBm$ ,  $P_{RF}=-3dBm$  (-3dBm/tone for 2-tone IIP3 tests,  $\Delta f=2MHz$ ),  $IF=153MHz$ , unless otherwise noted.

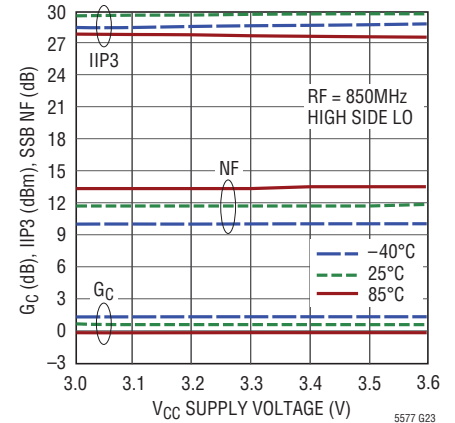
**Conversion Gain, IIP3 and NF vs RF Frequency**



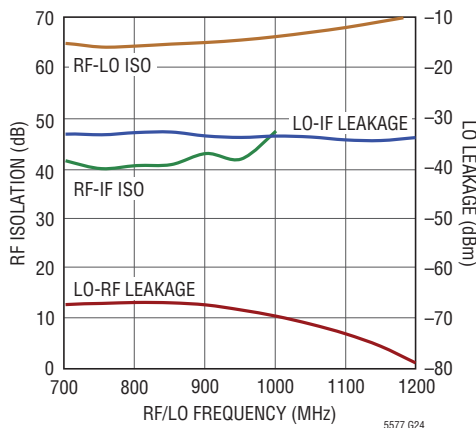
**850MHz Conversion Gain, IIP3 and NF vs LO Power**



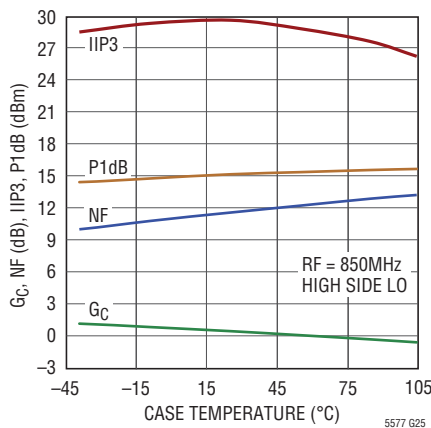
**850MHz Conversion Gain, IIP3 and NF vs Supply Voltage**



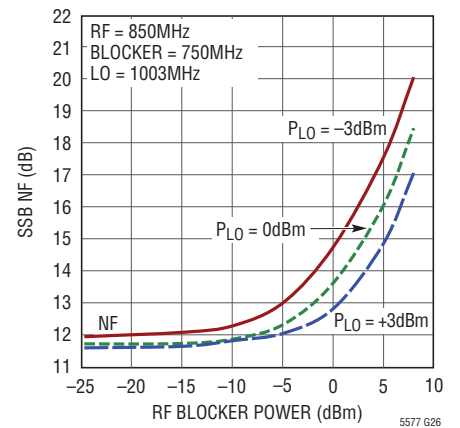
**RF Isolation and LO Leakage vs Frequency**



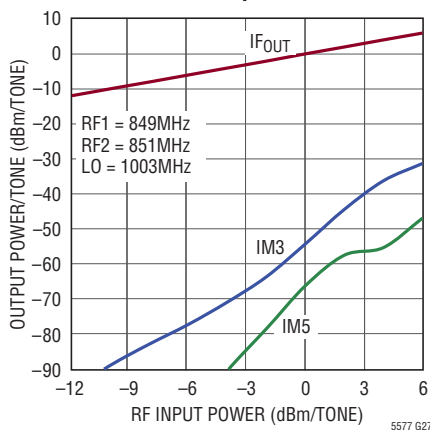
**Conversion Gain, IIP3, NF and RF Input P1dB vs Temperature**



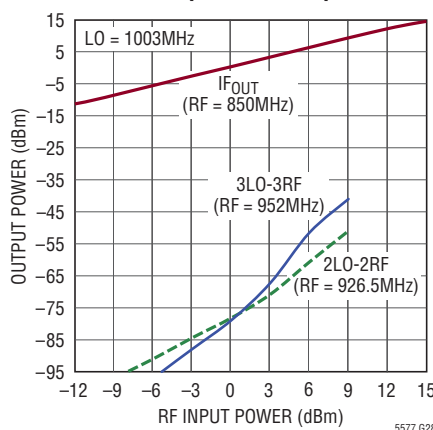
**SSB Noise Figure vs RF Blocker Power**



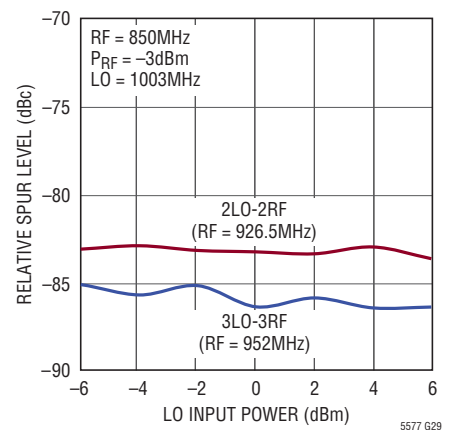
**2-Tone IF Output Power, IM3 and IM5 vs RF Input Power**



**Single Tone IF Output Power, 2 x 2 and 3 x 3 Spurs vs RF Input Power**



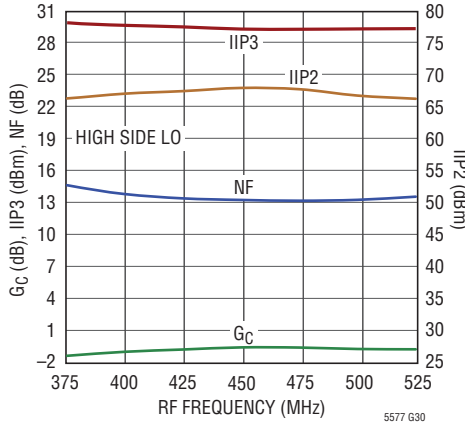
**2 x 2 and 3 x 3 Spur Suppression vs LO Power**



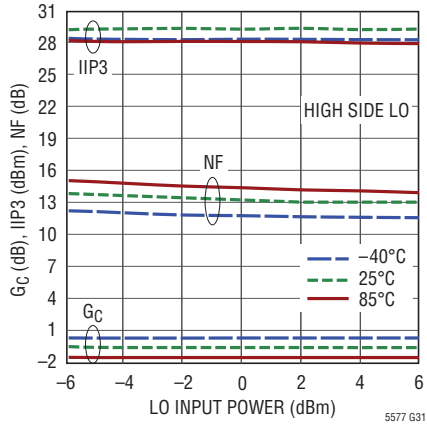


**TYPICAL PERFORMANCE CHARACTERISTICS** 375MHz to 525MHz application. Test circuit shown in Figure 1.  $V_{CC}=3.3V$ ,  $T_C=25^\circ C$ ,  $P_{LO}=0dBm$ ,  $P_{RF}=-3dBm$  (-3dBm/tone for 2-tone IIP3 tests,  $\Delta f=2MHz$ ),  $IF=153MHz$ , unless otherwise noted.

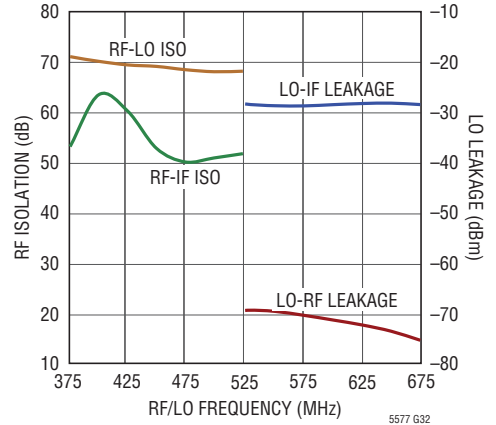
**Conversion Gain, IIP3, IIP2 and NF vs RF Frequency**



**450MHz Conversion Gain, IIP3 and NF vs LO Power**

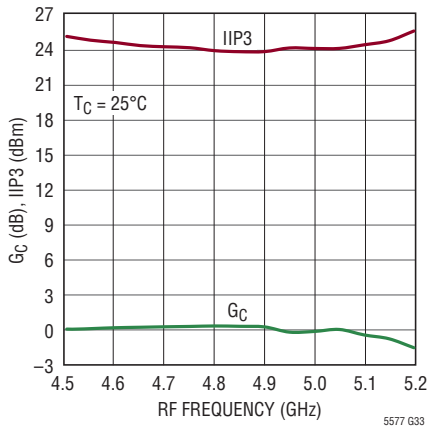


**RF Isolation and LO Leakage vs Frequency**

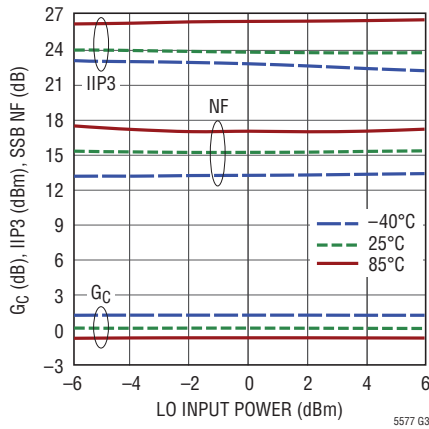


**4.9GHz and 5.9GHz applications. IF = 900MHz, Low Side LO,  $P_{LO} = 0dBm$ . Test circuit shown in Figure 1.**

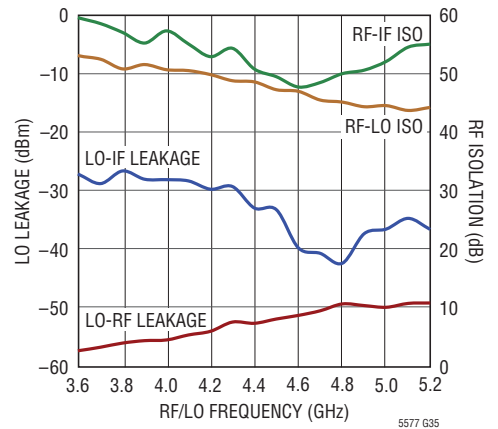
**Conversion Gain and IIP3 vs RF Frequency (4.9GHz Application)**



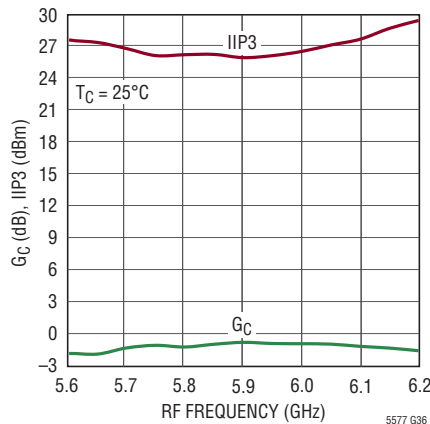
**4.9GHz Conversion Gain, IIP3 and NF vs LO Power**



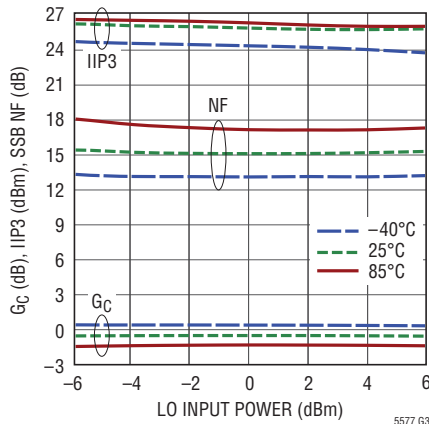
**RF Isolation and LO Leakage vs Frequency (4.9GHz Application)**



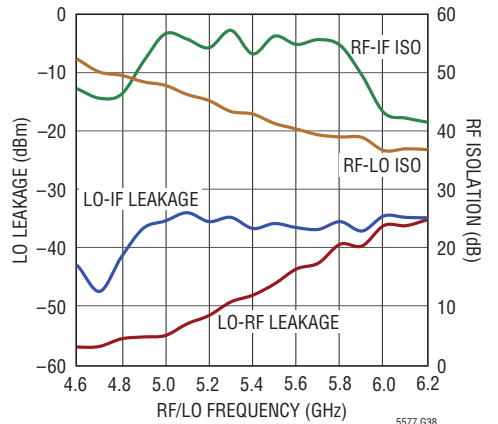
**Conversion Gain and IIP3 vs RF Frequency (5.9GHz Application)**



**5.9GHz Conversion Gain, IIP3 and NF vs LO Power**



**RF Isolation and LO Leakage vs Frequency (5.9GHz Application)**





## PIN FUNCTIONS

**GND (Pins 1, 4, 9, 13, 16, Exposed Pad Pin 17):** Ground. These pins must be soldered to the RF ground plane on the circuit board. The exposed pad metal of the package provides both electrical contact to ground and good thermal contact to the printed circuit board.

**RF (Pin 2):** Single-Ended RF Input. This pin is internally connected to the primary winding of the integrated RF transformer, which has low DC resistance to ground. **A series DC-blocking capacitor must be used if the RF source has DC voltage present.** The RF input is 50 $\Omega$  impedance matched, using the matching element values shown in Figure 1, when the mixer is enabled.

**NC (Pins 3, 11):** These pins are not connected internally. They can be left floating, connected to ground, or to  $V_{CC}$ .

**EN (Pin 5):** Enable Pin. When the input voltage is greater than 2.5V, the mixer is enabled. When the input voltage is less than 0.3V, the mixer is disabled. Typical input current is less than 30 $\mu$ A. This pin has an internal pull-down resistor.

**$V_{CC}$  (Pins 6, 7):** Power Supply Pins. These pins must be connected to a regulated 3.3V supply, with a bypass capacitor located close to the pin. Typical DC current consumption is 68mA.

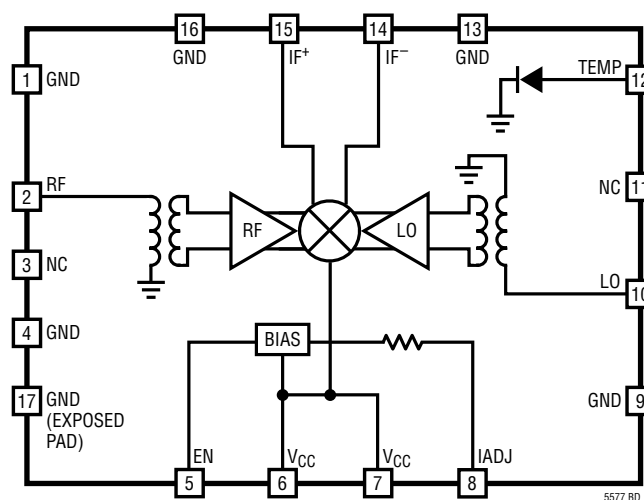
**IADJ (Pin 8):** Mixer Core Current Adjust Pin. Connecting a resistor between this pin and ground will reduce the mixer core DC supply current. Typical open-circuit DC voltage is 2.2V. This pin should be left floating for optimum performance.

**LO (Pin 10):** Single-Ended Local Oscillator Input. This pin is internally connected to the primary winding of an integrated transformer, which has low DC resistance to ground. **A series DC-blocking capacitor must be used to avoid damage to the internal transformer.** This input is 50 $\Omega$  impedance matched from 930MHz to 4GHz, even when the IC is disabled. Operation down to 300MHz or up to 6GHz is possible with the external matching shown in Figure 1.

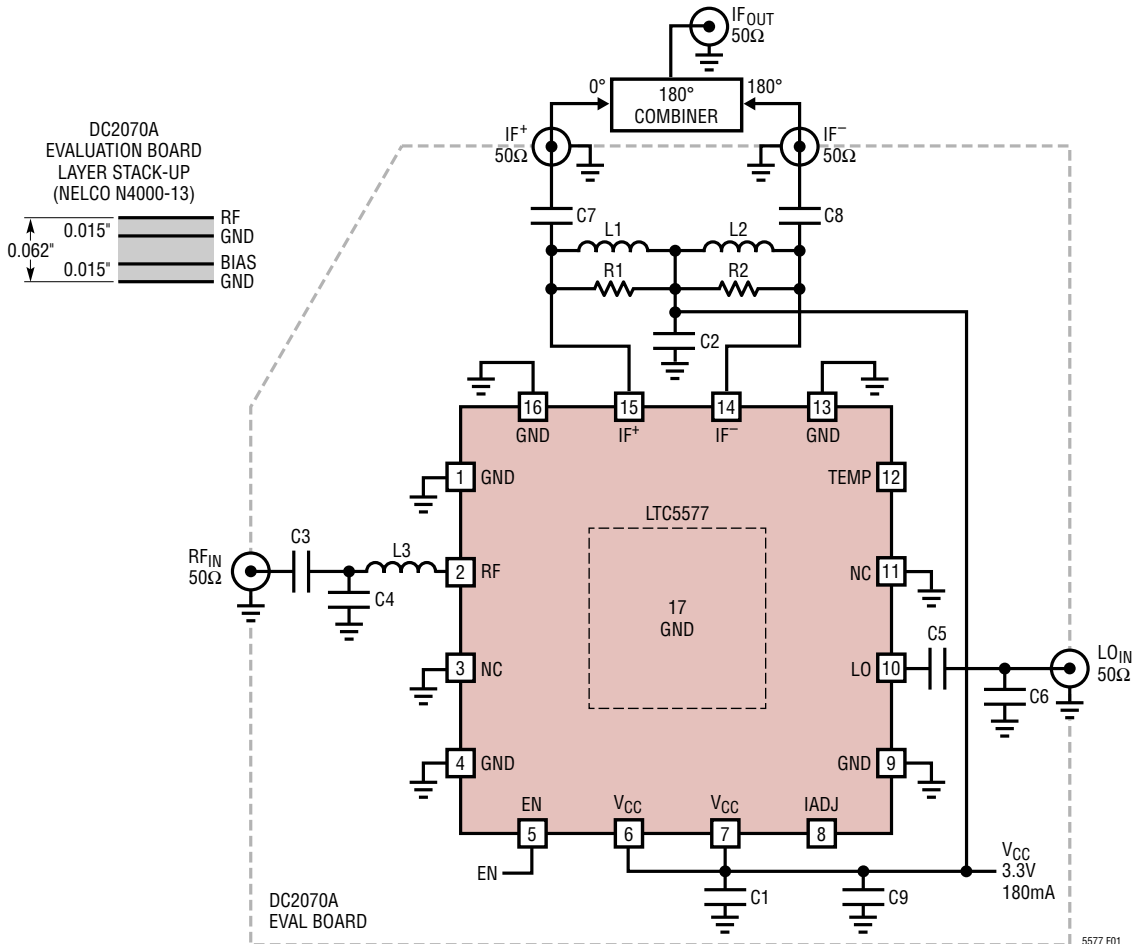
**TEMP (Pin 12):** Temperature Sensing Diode. This pin is connected to the anode of a diode that may be used to measure the die temperature, by forcing a current and measuring the voltage.

**IF+/IF- (Pin 15/Pin 14):** Open-Collector Differential IF Output. These pins must be connected to the  $V_{CC}$  supply through impedance-matching inductors or a transformer center tap. Typical DC current consumption is 56mA into each pin.

## BLOCK DIAGRAM



TEST CIRCUIT



APPLICATION		RF MATCH			LO MATCH		IF MATCH
RF (MHz)	LO	C3	C4	L3	C5	C6	L1, L2
300 to 400	HS	330pF	18pF	2.2nH	47pF	15pF	560nH
375 to 525	HS	330pF	15pF	2nH	27pF	8.2pF	560nH
700 to 1000	HS	330pF	6pF	—	6.8pF	2.7pF	560nH
1300 to 4300	LS, HS	8.2pF	0.7pF	—	3.9pF	—	560nH
4900	LS	1.8nH (L)	0.7pF	—	1pF	—	10nH*
5900	LS	0.25pF	—	—	1pF	—	10nH*

LS = Low side, HS = High side. \*IF = 900MHz

REF DES	VALUE	SIZE	VENDOR
C1, C2, C7, C8	1nF	0402	Murata
C3 - C6	See Table	0402	Murata
R1, R2	115Ω, 1%	0402	
C9	1μF	0603	AVX
L1, L2	See Table	0603	Coilcraft 0603LS
L3	See Table	0402	Coilcraft 0402HP

Figure 1. Standard Downmixer Test Circuit Schematic (Wideband 100Ω Differential IF Output)

## APPLICATIONS INFORMATION

### Introduction

The LTC5577 incorporates a high linearity double-balanced active mixer, a high-speed limiting LO buffer and bias/enable circuits. See the Pin Functions and Block Diagram sections for a description of each pin. A test circuit schematic showing all external components required for the data sheet specified performance is shown in Figure 1. A few additional components may be used to modify the DC supply current or frequency response, which will be discussed in the following sections.

The LO and RF inputs are single ended. The test circuit, shown in Figure 1, is configured with a 100 $\Omega$  differential IF output. An external broadband 180 $^\circ$  passive combiner is used to combine the differential IF outputs to 50 $\Omega$  single-ended for characterization and test purposes. The evaluation board layout is shown in Figure 2.

### RF Input

A simplified schematic of the mixer's RF input is shown in Figure 3. As shown, one terminal of the integrated RF transformer's primary winding is connected to Pin 2, while

the other terminal is DC-grounded internally. For this reason, a series DC-blocking capacitor (C3) is needed if the RF source has DC voltage present. The DC resistance of the primary winding is approximately 3 $\Omega$ . The secondary winding of the RF transformer is internally connected to the RF buffer amplifier.

ESD protection diodes are not used on the RF input due to the high RF voltage swing associated with the LTC5577's high IIP3 and input P1dB. The internal RF transformer provides some protection for the RF matching capacitor against human-body model ESD strikes up to 3kV. Proper ESD handling techniques must be employed to avoid damaging this capacitor.

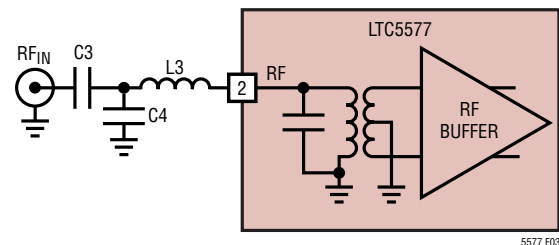


Figure 3. RF Input Schematic

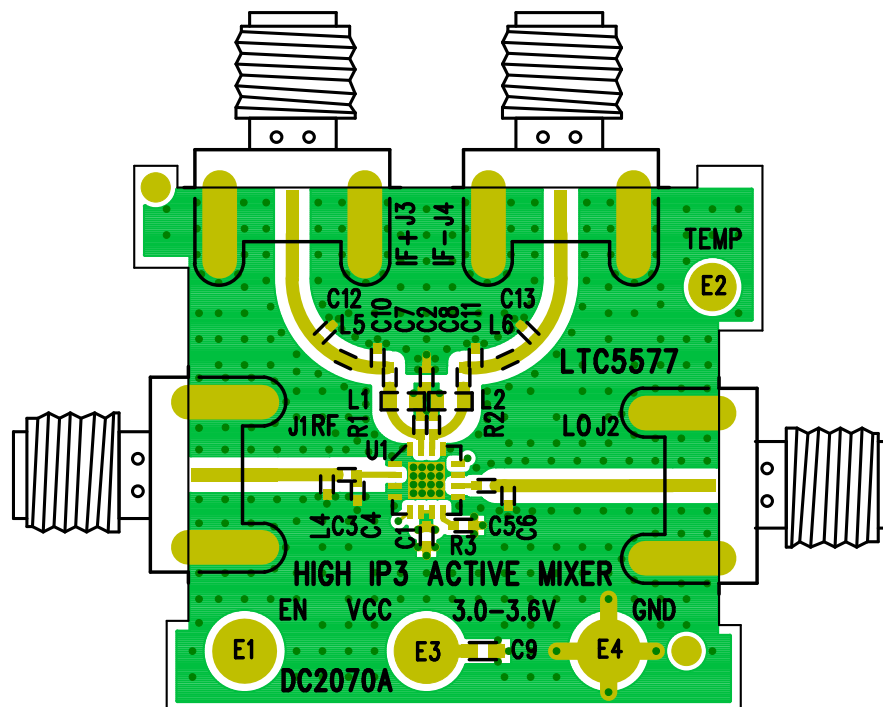


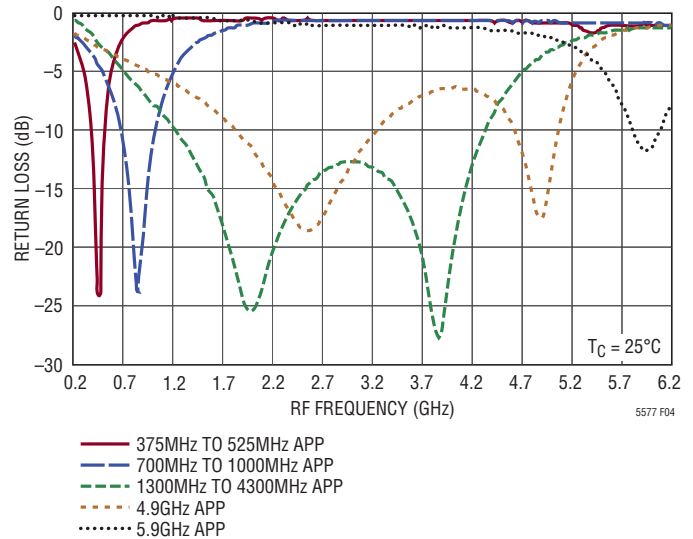
Figure 2. Evaluation Board Layout

## APPLICATIONS INFORMATION

The RF input is 50Ω matched from 1300MHz to 4300MHz using C3 = 8.2pF and C4 = 0.7pF. Matching to RF frequencies above or below this frequency range is easily accomplished by using the the element values shown in Figure 1. For RF frequencies below 500MHz, series inductor L3 is also needed. The evaluation board does not have provisions for L3, so the RF input trace needs to be cut to install it in series. Measured RF input return losses are shown in Figure 4. The RF input impedance and input reflection coefficient, versus frequency are listed in Table 1.

**Table 1. RF Input Impedance and S11 (at Pin 2, No External Matching, Mixer Enabled)**

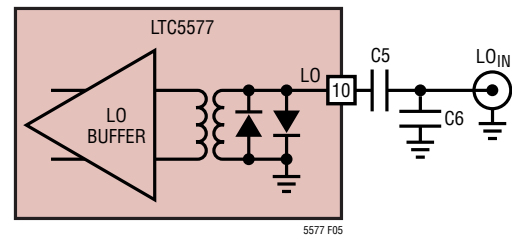
FREQUENCY (MHz)	INPUT IMPEDANCE	S11	
		MAG	ANGLE
200	4.4 + j8.5	0.84	163
350	6.6 + j12.0	0.78	153
450	8.3 + j14.4	0.74	147
575	10.1 + j17.2	0.69	141
700	12.0 + j19.9	0.66	136
900	15.4 + j22.8	0.60	127
1100	18.9 + j25.9	0.55	120
1400	25.2 + j29.5	0.48	109
1700	33.2 + j30.9	0.40	98
1950	40.0 + j29.1	0.33	91
2200	45.2 + j24.3	0.25	87
2450	47.1 + j18.0	0.18	89
2700	44.7 + j12.8	0.15	105
3000	39.1 + j10.7	0.17	129
3300	33.0 + j13.8	0.26	132
3600	28.4 + j20.1	0.36	123
3900	25.2 + j29.1	0.48	109
4200	23.5 + j39.1	0.57	95
4500	22.8 + j52.1	0.66	82
4800	23.6 + j66.1	0.72	70
5400	28.6 + j98.2	0.80	51
6000	38.0 + j134.4	0.84	38



**Figure 4. RF Input Return Loss**

### LO Input

A simplified schematic of the LO input, with external components is shown in Figure 5. Similar to the RF input, the integrated LO transformer’s primary winding is DC-grounded internally, and therefore requires an external DC-blocking capacitor. Capacitor C5 provides the necessary DC-blocking, and optimizes the LO input match over the 930MHz to 4GHz frequency range. The nominal LO input level is 0dBm although the limiting amplifiers will deliver excellent performance over a ±6dB input power range. LO input power greater than +6dBm may cause conduction of the internal ESD diodes.



**Figure 5. LO Input Schematic**

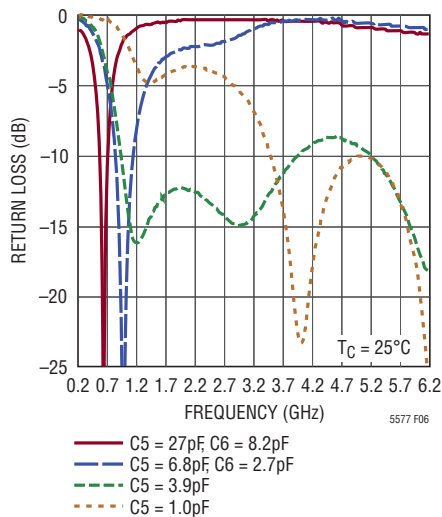
## APPLICATIONS INFORMATION

To optimize the LO input match for frequencies below 1GHz, the value of C5 is increased and shunt capacitor C6 is added. A summary of values for C5 and C6, versus LO frequency range is listed in Table 2. Measured LO input return losses are shown in Figure 6. Finally, LO input impedance and input reflection coefficient, versus frequency is shown in Table 3.

**Table 2. LO Input Matching Values vs LO Frequency Range**

FREQUENCY (MHz)	C5 (pF)	C6 (pF)
285 to 392	330	33
338 to 415	330	22
415 to 505	56	18
525 to 700	27	8.2
645 to 803	15	7.5
800 to 1150	6.8	2.7
930 to 4000	3.9	—
3500 to 6000	1.0	—

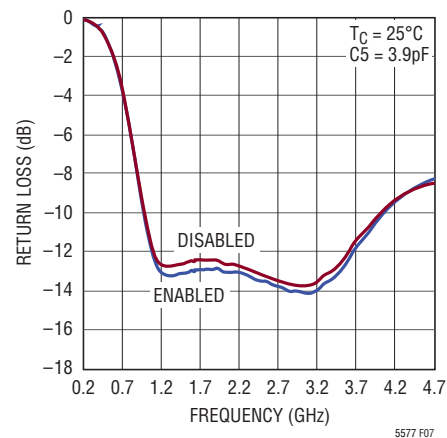
The LO buffers have been designed such that the LO input impedance does not change significantly when the IC is disabled. This feature only requires that supply voltage is applied. The actual performance of this feature is shown in Figure 7. As shown, the LO input return loss is better than 10dB over the 1GHz to 4GHz frequency range when the IC is enabled or disabled.



**Figure 6. LO Input Return Loss**

**Table 3. LO Input Impedance and S11 (at Pin 10, No External Matching, Mixer Enabled)**

FREQUENCY (MHz)	INPUT IMPEDANCE	S11	
		MAG	ANGLE
350	5.2 + j14.9	0.83	146.5
400	6.0 + j17.3	0.81	141.7
450	6.6 + j19.5	0.80	137.0
500	7.2 + j21.5	0.78	132.7
600	9.1 + j26.5	0.75	123.6
800	15.1 + j35.7	0.67	106.0
1000	24.9 + j43.6	0.58	89.5
1500	67.5 + j36.4	0.33	47.1
2000	61.7 - j4.2	0.11	-18.3
2500	40.3 - j7.1	0.13	-139.4
3000	31.7 + j1.8	0.23	173.1
3500	29.8 + j12.3	0.29	140.0
4000	31.5 + j22.9	0.35	113.2
4500	36.0 + j32.4	0.38	92.8
5000	59.0 + j40.6	0.36	57.1
5500	64.2 + j30.8	0.29	50.1
6000	57.4 + j19.7	0.19	59.0



**Figure 7. LO Input Return Loss—Mixer Enabled and Disabled**

## APPLICATIONS INFORMATION

### IF Output

The IF output schematic with external matching components is shown in Figure 8. As shown, the output is differential open collector. Each IF output pin must be biased at the supply voltage ( $V_{CC}$ ), which is applied through the external matching inductors (L1 and L2) shown in Figure 8. Each pin draws approximately 56mA of DC supply current (112mA total). Inductors with less than  $1\Omega$  DC resistance, such as Coilcraft 0603LS, are required for the highest IIP3 and P1dB.

The differential IF output impedance can be modeled as a frequency-dependent parallel R-C circuit, using the values listed in Table 4. This data is referenced to the package pins (with no external components) and includes the effects of the IC and package parasitics. Resistors R1 and R2 are used to reduce the output resistance, which increases the IF bandwidth and input P1dB, but reduces the conversion gain.

### 100 $\Omega$ Differential IF Output Matching

The standard downmixer test circuit shown in Figure 1 uses  $115\Omega$  resistors to realize a  $100\Omega$  differential output. 560nH pull-up inductors are used to deliver a broadband IF output from 10MHz to greater than 600MHz. C7 and C8 are 1nF DC-blocking capacitors.

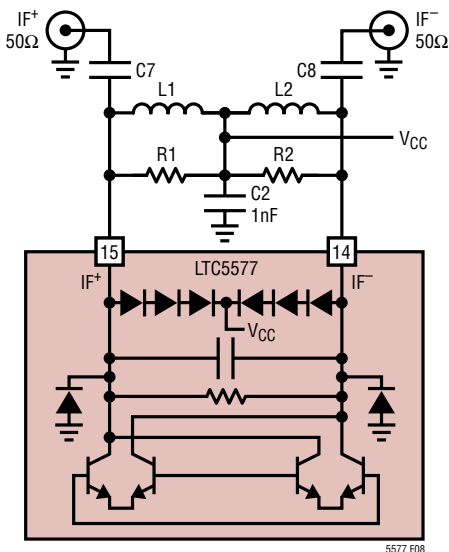


Figure 8. IF Output Schematic with External Matching

To match the IF output for frequencies greater than 600MHz, the values of L1 and L2 are selected to resonate with the internal IF capacitance ( $C_{IF}$ ) at the desired IF center frequency, using the following equation:

$$L1, L2 = \frac{1}{(2 \cdot \pi \cdot f_{IF})^2 \cdot 2 \cdot C_{IF}}$$

Table 4 summarizes the optimum IF matching element values, versus IF center frequency, to be used in the standard downmixer test circuit shown in Figure 1. The inductor values are slightly less than the ideal calculated values due to the additional capacitance of the evaluation board traces. Measured differential IF output return losses are shown in Figure 9.

Table 4. IF Output Impedance and Bandpass Matching Element Values vs IF Frequency.

IF FREQUENCY (MHz)	DIFFERENTIAL IF OUTPUT IMPEDANCE ( $R_{IF}    C_{IF}$ )	EXTERNAL MATCHING ELEMENT VALUES (100 $\Omega$ DIFFERENTIAL OUTPUT)	
		L1, L2	R1, R2
10-600	$390\Omega    1.55pF$	560nH	$115\Omega$
450	$390\Omega    1.55pF$	39nH	$115\Omega$
800	$367\Omega    1.68pF$	10nH	$115\Omega$
1000	$343\Omega    1.73pF$	6nH	$133\Omega$
1200	$317\Omega    1.81pF$	3.3nH	$191\Omega$
1400	$261\Omega    1.91pF$		
1600	$212\Omega    2.02pF$		
1800	$156\Omega    2.19pF$		
2000	$105\Omega    2.43pF$		

## APPLICATIONS INFORMATION

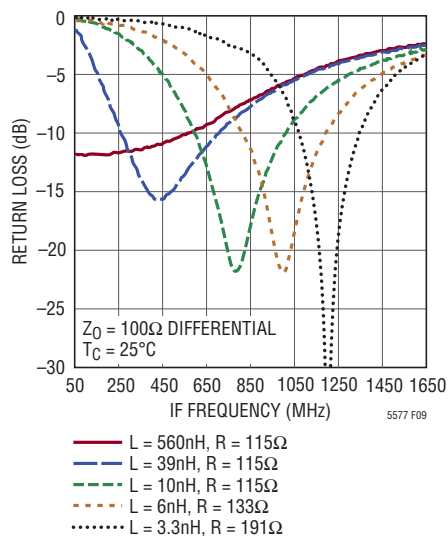


Figure 9. Differential IF Output Return Loss— $100\Omega$  Differential Load

### Wideband $50\Omega$ Single-Ended IF Output Matching

For applications that require a  $50\Omega$  single-ended IF output, a 2:1 transformer can be added to the  $100\Omega$  differential output as shown in Figure 10. Recommended transformers include the Mini-Circuits TC2-1T+, or Coilcraft WBC2-1T. No other IF matching element changes are required.

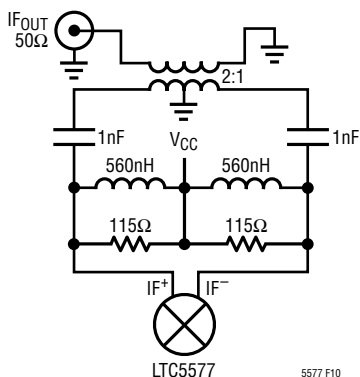


Figure 10.  $50\Omega$  Single-Ended IF Output

Measured conversion gain and IIP3 using a Mini-Circuits TC2-1T+ (2:1) IF transformer are shown in Figure 11, with the measured performance of the standard  $100\Omega$  differential output for comparison. As shown, the single-ended conversion gain is about 0.5dB less up to 700MHz due to the transformer loss. Above 700MHz, the IF transformer loss increases rapidly. Up to 600MHz, both solutions have similar IIP3. Above 600MHz, the transformer version has about 1dB lower IIP3.

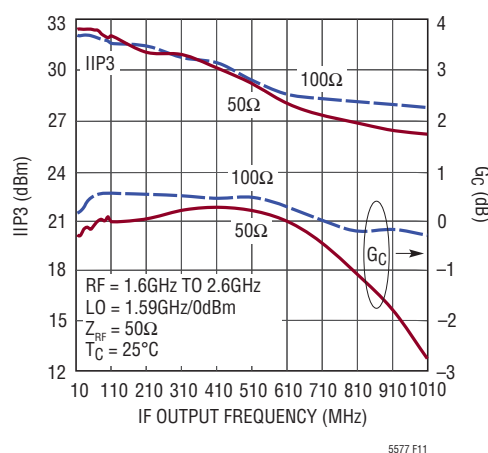


Figure 11. Conversion Gain and IIP3 vs IF Output Frequency.  $50\Omega$  Single-Ended Output Using a Transformer vs  $100\Omega$  Differential Output



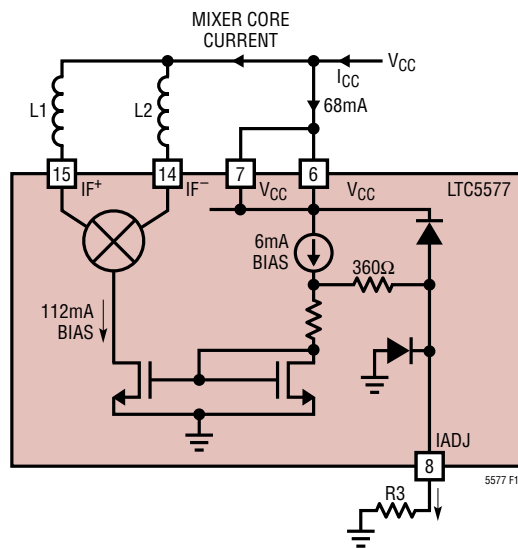
## APPLICATIONS INFORMATION

### Mixer Bias Current Reduction

The IADJ pin (Pin 8) is available for reducing the mixer core DC current consumption at the expense of linearity and P1dB. For the highest performance, this pin should be left floating. As shown in Figure 12, an internal bias circuit produces a 6mA reference current for the mixer core. If a resistor is connected to Pin 8, as shown in Figure 12, a portion of the reference current can be shunted to ground, resulting in reduced mixer core current. For example,  $R3 = 220\Omega$  will shunt away 3mA from Pin 8 and reduce the mixer core current by 50%. The nominal, open-circuit DC voltage at the IADJ pin is 2.2V. Table 5 lists DC supply current and RF performance at 1900MHz for various values of R3.

**Table 5. Mixer Performance with Reduced Current (RF = 1900MHz, Low Side LO, IF = 153MHz)**

R3 ( $\Omega$ )	I <sub>CC</sub> (mA)	G <sub>C</sub> (dB)	IIP3 (dBm)	P1dB (dBm)	NF (dB)
Open	180	0.7	30.2	15.2	11.8
2k	166	0.6	28.0	15.0	11.1
1k	156	0.5	26.7	14.8	10.9
220	133	0.2	23.9	13.4	10.4
120	125	0.0	22.3	12.4	10.3
75	122	0.0	22.0	12.0	10.3



**Figure 12. IADJ Interface**

## APPLICATIONS INFORMATION

### Enable Interface

Figure 13 shows a simplified schematic of the enable interface. To enable the mixer, the EN voltage must be higher than 2.5V. If the enable function is not required, the pin should be connected directly to  $V_{CC}$ . The voltage at the EN pin should never exceed the power supply voltage ( $V_{CC}$ ) by more than 0.3V. If this should occur, the supply current could be sourced through the ESD diode, potentially damaging the IC.

The EN pin has an internal 300k pull-down resistor. Therefore, the mixer will be disabled with the enable pin left floating.

### Supply Voltage Ramping

Fast ramping of the supply voltage can cause a current glitch in the internal ESD clamp circuits connected to the  $V_{CC}$  pin. Depending on the supply inductance, this could result in a supply voltage transient that exceeds the 4.0V maximum rating. A supply voltage ramp time greater than 1ms is recommended.

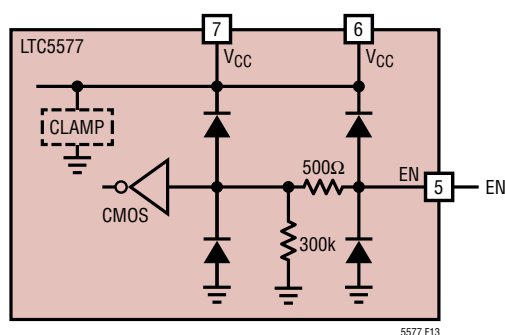


Figure 13. Enable Input Circuit

### Spurious Output Levels

Mixer spurious output levels versus harmonics of the RF and LO are tabulated in Table 6. The spur levels were measured on a standard evaluation board using the test circuit shown in Figure 1. Table 6a shows the relative spur levels with an RF input power level of  $-3\text{dBm}$  while Table 6b shows the same relative spur levels with the RF input power reduced to  $-6\text{dBm}$ .

The spur frequencies can be calculated using the following equation:

$$f_{\text{SPUR}} = (M \cdot f_{\text{RF}}) - (N \cdot f_{\text{LO}})$$

Table 6. IF Output Spur Levels (dBc). RF = 1900MHz, IF = 153MHz, Low Side LO,  $P_{\text{LO}} = 0\text{dBm}$ ,  $V_{\text{CC}} = 3.3\text{V}$ ,  $T_{\text{C}} = 25^{\circ}\text{C}$

Table 6a.  $P_{\text{RF}} = -3\text{dBm}$

		N								
		0	1	2	3	4	5	6	7	8
M	0		-25	-35	-35	-39	-55	-35	-58	-55
	1	-34	0	-34	-18	-46	-41	-71	-53	-72
	2	-72	-59	-70	-65	-81	*	-81	*	-76
	3	*	-70	*	-79	*	-86	*	-83	*
	4	-88	*	-90	*	*	*	*	*	*
	5	*	*	*	*	*	*	*	*	*
	6	*	-88	*	*	*	*	*	*	*
	7	*	-88	*	*	*	*	*	*	*

\*Less than  $-90\text{dBc}$

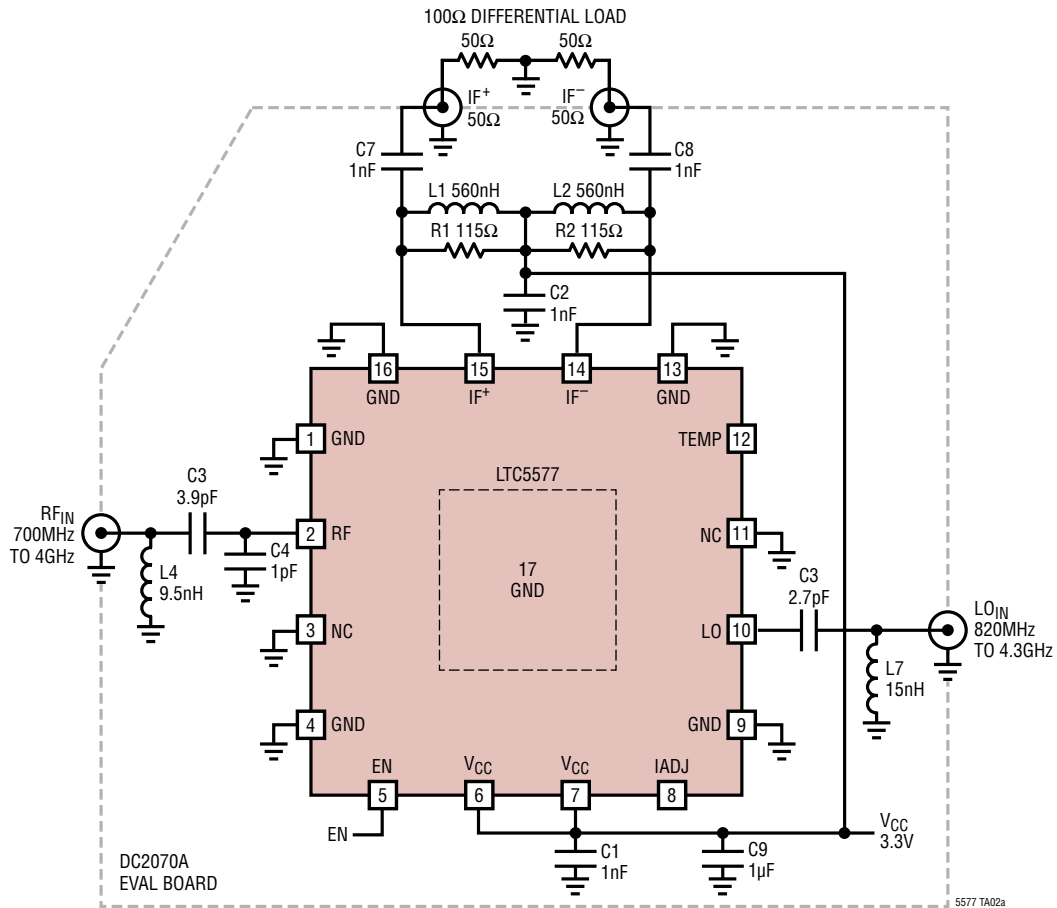
Table 6b.  $P_{\text{RF}} = -6\text{dBm}$

		N								
		0	1	2	3	4	5	6	7	8
M	0		-22	-31	-18	-36	-41	-32	-55	-51
	1	-34	0	-34	-68	-46	-86	-71	-53	-73
	2	-76	-62	-73	-84	-84	*	-85	*	-80
	3	-87	-76	*	*	*	*	*	*	*
	4	*	*	-87	*	*	*	*	*	*
	5	*	-87	*	*	*	*	*	*	*
	6	*	*	*	*	*	*	*	*	*
	7	*	-86	*	*	*	*	*	*	*

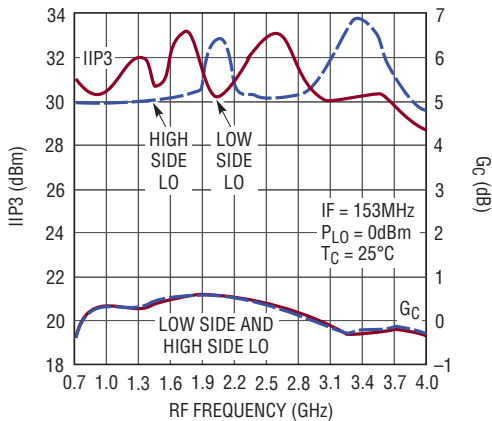
\*Less than  $-90\text{dBc}$

TYPICAL APPLICATIONS

700MHz to 4GHz Wideband RF Application

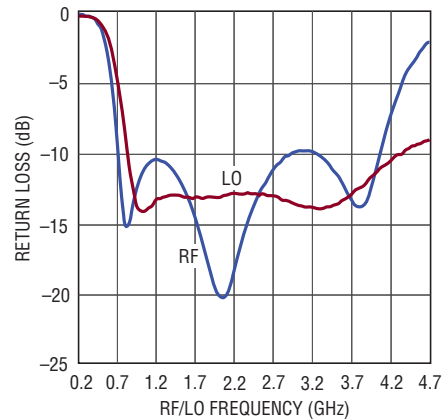


Conversion Gain and IIP3 vs RF Input Frequency



5577 TA02b

RF and LO Input Return Loss

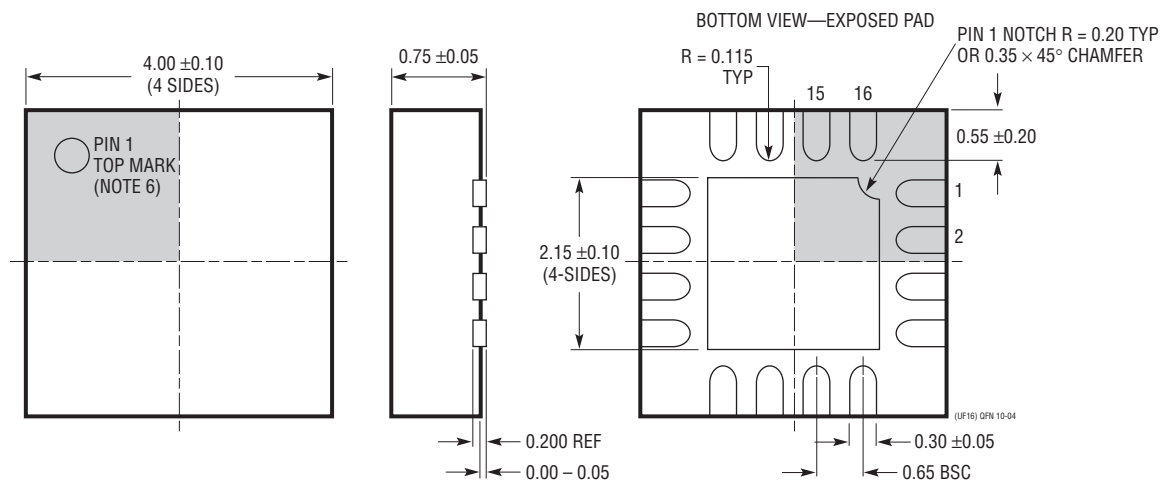
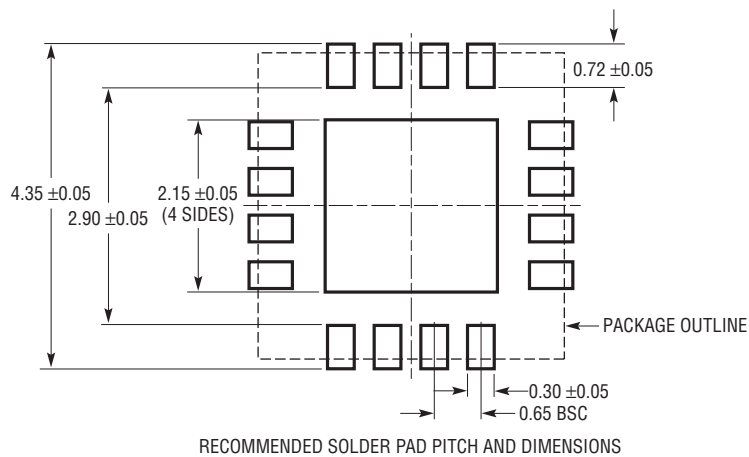


5577 TA02c

## PACKAGE DESCRIPTION

Please refer to <http://www.linear.com/designtools/packaging/> for the most recent package drawings.

**UF Package**  
**16-Lead Plastic QFN (4mm × 4mm)**  
 (Reference LTC DWG # 05-08-1692 Rev 0)

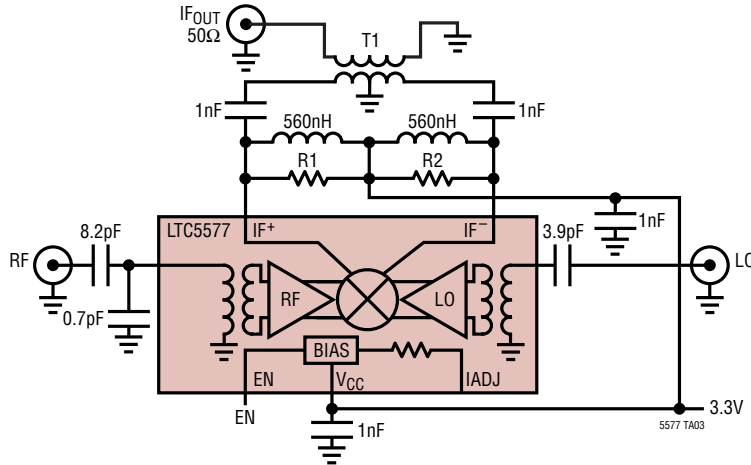


**NOTE:**

1. DRAWING CONFORMS TO JEDEC PACKAGE OUTLINE MO-220 VARIATION (WGGC)
2. DRAWING NOT TO SCALE
3. ALL DIMENSIONS ARE IN MILLIMETERS
4. DIMENSIONS OF EXPOSED PAD ON BOTTOM OF PACKAGE DO NOT INCLUDE MOLD FLASH. MOLD FLASH, IF PRESENT, SHALL NOT EXCEED 0.15mm ON ANY SIDE
5. EXPOSED PAD SHALL BE SOLDER PLATED
6. SHADED AREA IS ONLY A REFERENCE FOR PIN 1 LOCATION ON THE TOP AND BOTTOM OF PACKAGE

## TYPICAL APPLICATION

Measured Performance Using 50Ω, 100Ω, 200Ω and 400Ω Differential IF Output Impedance



RF = 1900MHz, IF = 153MHz, Low Side LO,  
P<sub>LO</sub> = 0dBm, T<sub>C</sub> = 25°C

Z <sub>IF</sub> (DIFF)	R1, R2	T1 (RATIO)	G <sub>C</sub> (dB)	IIP3 (dBm)	Input P1dB (dBm)	10dB IF Return Loss BW (MHz)
50Ω	53.6Ω	TC1-1+ (1:1)	-2.8	30.9	17.0	9-855
100Ω	115Ω	TC2-1T+ (2:1)	0.2	30.1	15.2	20-636
200Ω	249Ω	TC4-1W+ (4:1)	2.2	29.6	12.2	35-300
400Ω	Open	TC8-1+ (8:1)	4.0	27.4	8.1	54-193

Measured performance includes IF transformer loss

## RELATED PARTS

PART NUMBER	DESCRIPTION	COMMENTS
<b>Infrastructure</b>		
<a href="#">LTC5567</a>	400MHz to 4GHz, Active Downconverting Mixer	1.9dB Gain, 26.9dBm IIP3 and 11.8dB NF at 1950MHz, 3.3V/89mA Supply
<a href="#">LTC5510</a>	1MHz to 6GHz Wideband High Linearity Active Mixer	1.5dB Gain, Up- and Downconversion, 3.3V or 5V Supply
<a href="#">LTC5551</a>	300MHz to 3.5GHz Ultrahigh Dynamic Range Downconverting Mixer	2.4dB Gain, 36dBm IIP3, <10dB NF, 3.3V/204mA Supply
<a href="#">LTC559x</a>	600MHz to 4.5GHz Dual Downconverting Mixer Family	8.5dB Gain, 26.5dBm IIP3, 9.9dB NF, 3.3V/380mA Supply
<a href="#">LTC5569</a>	300MHz to 4GHz, 3.3V Dual Active Downconverting Mixer	2dB Gain, 26.8dBm IIP3 and 11.7dB NF, 3.3V/180mA Supply
<a href="#">LTC5541</a>	600MHz to 4GHz, 5V Downconverting Mixer Family	8dB Gain, >25dBm IIP3 and 10dB NF, 3.3V/200mA Supply
<a href="#">LTC6400-X</a>	300MHz Low Distortion IF Amp/ADC Driver	Fixed Gain of 8dB, 14dB, 20dB and 26dB; >36dBm OIP3 at 300MHz, Differential I/O
<a href="#">LTC6412</a>	31dB Linear Analog VGA	35dBm OIP3 at 240MHz, Continuous Gain Range -14dB to 17dB
<a href="#">LT5554</a>	Ultralow Distort IF Digital VGA	48dBm OIP3 at 200MHz, 2dB to 18dB Gain Range, 0.125dB Gain Steps
<a href="#">LTC6430-15</a>	High Linearity Differential IF Amplifier	50dBm OIP3 at 240MHz, 15dB Gain, 3dB NF
<a href="#">LTC6431-15</a>	High Linearity 50Ω Gain Block	47dBm OIP3 at 240MHz, NF = 3.3dB, 15.5dB Gain, Single-Ended 50Ω Input and Output Ports
<b>RF Power Detectors</b>		
<a href="#">LT5538</a>	40MHz to 3.8GHz Log Detector	±0.8dB Accuracy Over Temperature, -72dBm Sensitivity, 75dB Dynamic Range
<a href="#">LT5581</a>	6GHz Low Power RMS Detector	40dB Dynamic Range, ±1dB Accuracy Over Temperature, 1.5mA Supply Current
<a href="#">LTC5582</a>	40MHz to 10GHz RMS Detector	±0.5dB Accuracy Over Temperature, ±0.2dB Linearity Error, 57dB Dynamic Range
<a href="#">LTC5583</a>	Dual 6GHz RMS Power Detector	Up to 60dB Dynamic Range, ±0.5dB Accuracy Over Temperature, >50dB Isolation
<b>ADCs</b>		
<a href="#">LTC2208</a>	16-Bit, 130Msps ADC	78dBFS Noise Floor, >83dB SFDR at 250MHz
<a href="#">LTC2153-14</a>	14-Bit, 310Msps Low Power ADC	68.8dBFS SNR, 88dB SFDR, 401mW Power Consumption

# Mouser Electronics

Authorized Distributor

Click to View Pricing, Inventory, Delivery & Lifecycle Information:

[Analog Devices Inc.:](#)

[LTC5577IUF#TRPBF](#) [LTC5577IUF#PBF](#)