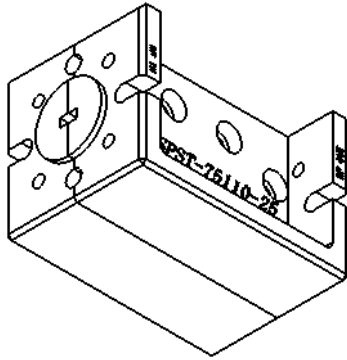


50-75GHz Full V Band SPDT Switch



Description:

AT-SPDT-5075 is a MMIC Based SPDT (Single pole double throw) switch covering 50-75GHz. This module offers a low insertion loss of -6 dB with typical isolation of -25dB.

It also has good return loss from 50-75GHz band in both ON and OFF state. The input and output connectors are WR-15. Other connectors can be provided according to request.

More information, visit www.atmicrowave.com

Feature

- ✓ Frequency: 50-75GHz
- ✓ Low insertion Loss, -6 dB
- ✓ High isolation: 25dB
- ✓ Very fast speed

Application

- ✓ Test Equipment
- ✓ ROF (RF Over Fiber)
- ✓ Radar System
- ✓ Telecom Communication

Electronical Specifications:

Parameter	Min	Typical	Max
Frequency(Note1)		50-75GHz	
Insertion Loss		-6dB	-8
Isolation	-20dBc	-25 dB	
Switching Time, Estimated		100ps	
Control Voltage		-1.2 and 0 V	
Power Consumption		0mW	
RF Port		WR-15	
Bias Port		Feed Through Pin	
Spec Temp		25C	





AT-SPDT-5075

50-75GHz SPDT Switch

Absolute Maximum Ratings Table

Parameter	Value
Control Voltage	-2 to 0.7V
RF Input Power	+15dBm
Operating Temperature	-40 to +85C
Storage Temperature	-65 to +150C

Truth Table

Control Input		Signal Path	
A	B	RFC to RF1	RFC to RF2
-1.5V	0	ON	OFF
0	-1.5V	OFF	ON
0	0	OFF	OFF

Notes:

1. Datasheet may be changed according to update of MMIC, Raw materials , process, and so on.
2. This data is only for reference, not for guaranteed specifications.
3. Please contact AT Microwave team to make sure you have the most current data.



Dimension(mm)

Following dimension is from AT-SPDT-75110, just for reference.
 Contact with us for dimension when place order.

