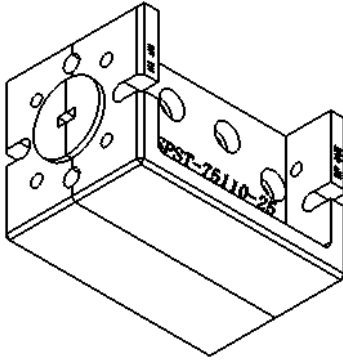


Full W Band 75-110GHz SPDT Switch



Description:

AT-SPDT-75110 is a MMIC Based SPDT (Single pole double throw) switch covering 75-110GHz. This module offers a low insertion loss of -7 dB with typical isolation of -25dBc.

It also has good return loss from 75-110GHz band in both ON and OFF state. The input and output connectors are WR-10. Other connectors can be provided according to request.

More information, visit www.atmicrowave.com

Feature

- ✓ Frequency: 75-110GHz
- ✓ Low insertion Loss, -6 dB
- ✓ High isolation: 25dB
- ✓ Very fast speed

Application

- ✓ Test Equipment
- ✓ ROF (RF Over Fiber)
- ✓ Radar System
- ✓ Telecom Communication

Electronical Specifications:

Parameter	Min	Typical	Max
Frequency(Note1)		75-110GHz	
Insertion Loss		-7dB	-9
Isolation	-20dBc	-25 dBc	
Switching Time(Estimated)		100ps	
Control Voltage		-1.2 and 0 V	
Power Consumption		0mW	
Spec Temp		25C	





AT-SPDT-75110

75-110GHz SPDT Switch

Mechanical Information

Item	Description
RFC Input Port	WR-10
RF1/RF2 Output Port	WR-10
Case Material	Copper
Finish	Gold Plated
Weight (Without Heatsink)	189g
Size:	57.5x33x22.4mm

Absolute Maximum Ratings Table

Parameter	Value
Control Voltage	-2 to 0.7V
RF Input Power	+15dBm
Operating Temperature	0 to +50C
Storage Temperature	-65 to +150C

Notes:

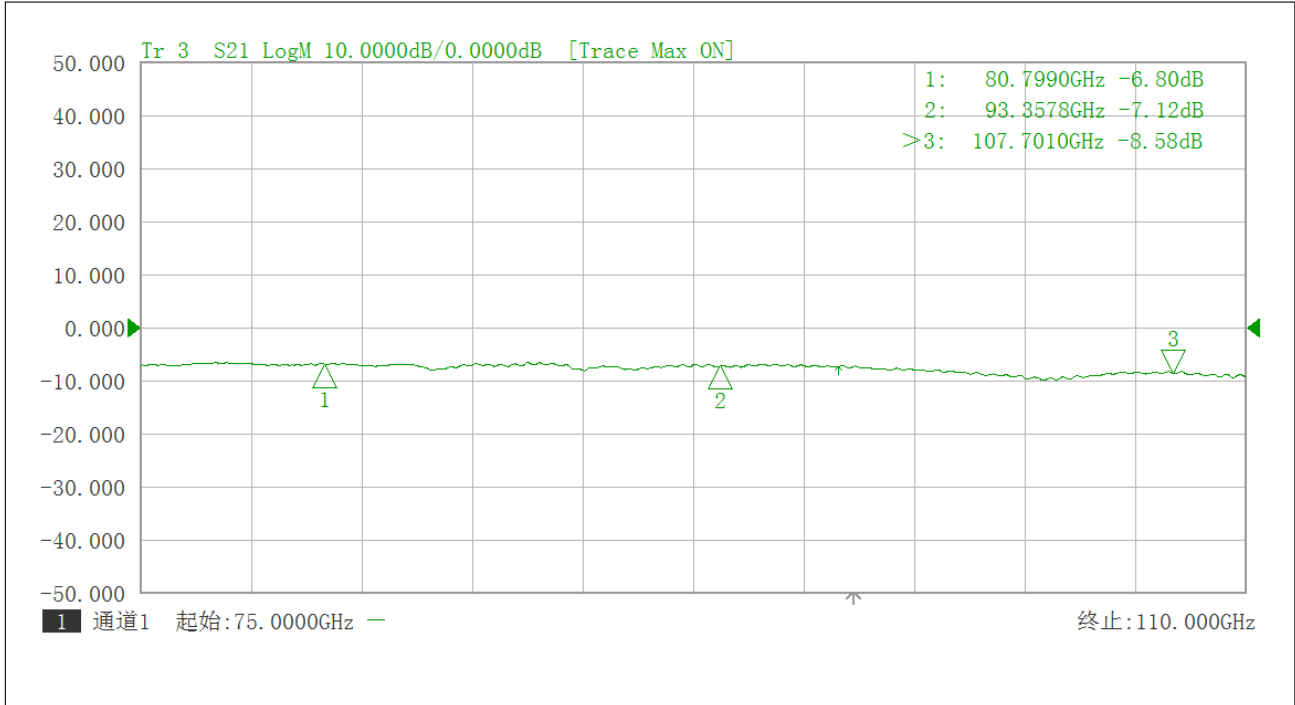
1. Datasheet may be changed according to update of MMIC, Raw materials , process, and so on.
2. This data is only for reference, not for guaranteed specifications.
3. Please contact AT Microwave team to make sure you have the most current data.

Truth Table

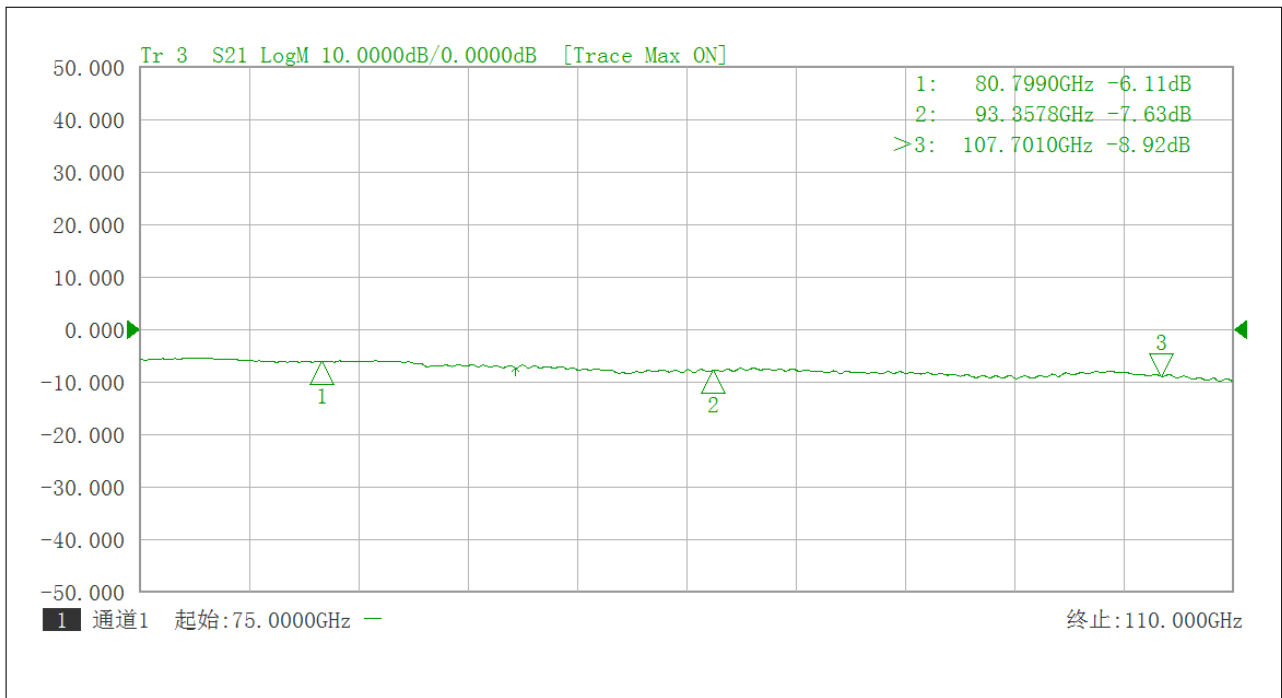
Control Input		Signal Path	
A	B	RFC to RF1	RFC to RF2
-1.5V	0	ON	OFF
0	-1.5V	OFF	ON
0	0	OFF	OFF



Test Data:

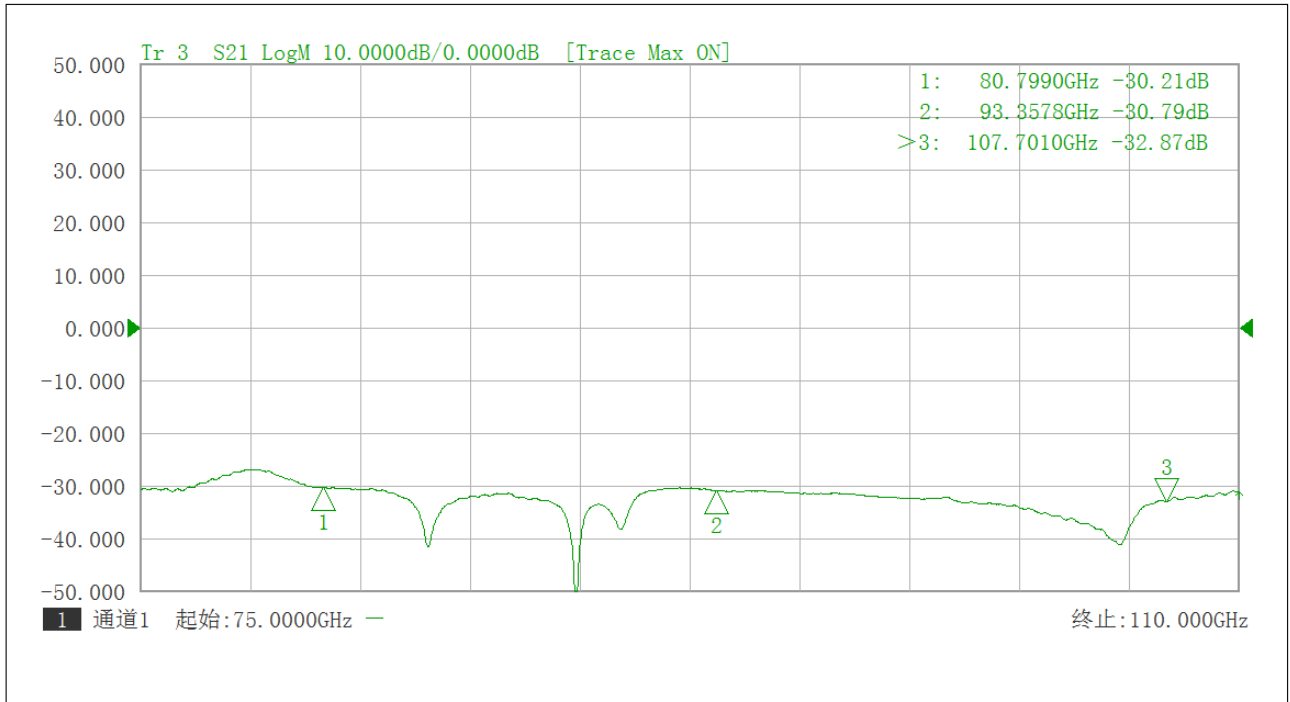


RFC to RF1 Insertion Loss



RFC to RF2 Insertion Loss





Isolation Vs Frequency



Dimension(mm)

