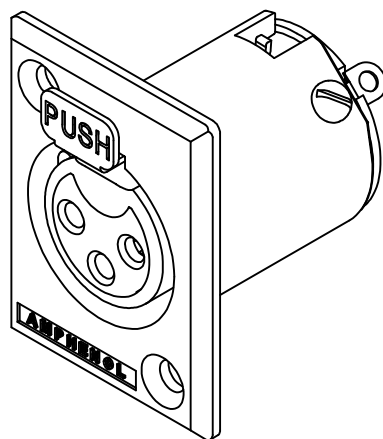


PANEL CUT OUT



ISO VIEW

AC*FPZ	INSERT No.
AC3FPZ	156-4065-*00
AC4FPZ	156-4073-*00
AC5FPZ	156-4074-*00
AC6AFPZ	156-4075-*00
AC7FPZ	156-4076-*00

UNLESS OTHERWISE SPECIFIED TOLERANCE TO BE		THIS DOCUMENT IS THE PROPERTY OF AMPHENOL AUSTRALIA PTY. LTD.. NO PART THEREOF MAY BE REPRODUCED AND USED WITHOUT THE PRIOR WRITTEN CONSENT OF THE OWNER		2	UPDATE TO AMPHENOL TITLE BLOCK & LOGO ADD SHEET 2 OF 2 FOR CUSTOMER DRAWING	L.V	02-10-01	7871
LINEAR	ANGULAR			0	FIRST ISSUE	D.v.E.	21-09-1995	----
X ± 0.50	X' ± 1'			REV.	CHANGE DETAILS	BY	DATE	CHG/No
X,X ± 0.10	X,X' ± 30'	CAD FILE: 00822102	DRN: D.v.E.	TITLE:		Amphenol		
X,XX ± 0.05	X,X,X' ± 15'	MATL: REFER TO COMPONENT	CKD: M.N.H	AC*FPZ PANEL MOUNT CUSTOMER DRAWING		Amphenol Australia Pty.Ltd, 2 Fineways Blvd, Keysborough, Vic.3173		
DO NOT SCALE		FINISH: REFER TO COMPONENT	APP'D: P.M	DATE: 29-10-01		DRAWING NO.		SHEET
DIMENSIONS IN MILLIMETRES		THIRD ANGLE PROJECTION		SCALE: 2:1 UOS	PART No: 128462-0000	SIZE: A3	128462-0000 2 of 2	