

# DATA SHEET

## ORDERING INFORMATION

**M85049 / 69 - 11 A D**

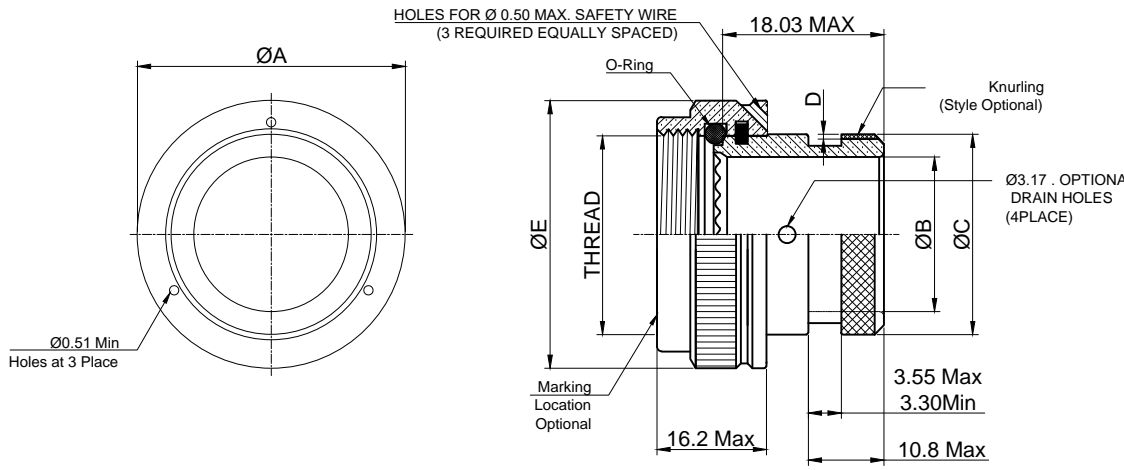


Figure-1: DIMENSION AND CONFIGURATION

Table-1: SHELL SIZES & DIMENSIONS

Shell Size	ØA	ØB	ØC	D +0.20	ØE	Thread 6H
	MAX	MIN	MAX		MAX	
9	19.10	6.35	13.54	1.12	19.1	M12 X 1.0
11	21.60	9.52	15.37	1.12	21.6	M15 X 1.0
13	25.40	12.70	19.66	1.12	25.40	M18 X 1.0
15	29.20	15.88	21.29	1.12	29.20	M22 X 1.0
17	31.80	19.05	24.46	1.12	31.80	M25 X 1.0
19	35.60	20.62	26.47	1.12	35.60	M28 X 1.0
21	39.40	23.80	30.91	1.75	39.40	M31 X 1.0
23	41.90	26.97	34.42	1.75	41.90	M34 X 1.0
25	47.00	30.18	36.65	1.75	47.00	M37 X 1.0

Table-2: MATERIAL AND FINISH

SPECIFICATION		
COMPONENT	MATERIAL	FINISH
Shell	Aluminium	Cadmium Olive Drab
		Electroless Nickel
		Black Anodized
		Zinc Nickel
Fastners	Stainless Steel	Passivated

BASIC PART NUMBER

SPECIFICATION SHEET

CONFIGURATIONS -  
- : Non Self Locking

SHELL SIZE - Refer Table 1.

FINISH -

W : Cadmium Olive Drab  
N : Electroless Nickel  
Z : Zinc Nickel  
A : Black Anodized

D - DRAIN HOLES OPTIONAL

Note:-

- All Dimensions are in mm
- Coupling nut shall be captivated and rotatable.
- Refer AS85049/140 for Shrink Boots.

1	Rev - 00	Change Date	Changes	Changed by:-	Checked by :-	Approved by:-	1
<b>RC CONNECTORS PRIVATE LIMITED</b> Drawn by :- Nithin Checked by :- Nithin Approved by :- Vijay Approved date :- 14/11/2023				<b>Title</b> CONNECTOR ACCESSORIES ADAPTOR, SHRINK BOOT; NON SELF LOCKING, MIL-DTL-38999 SERIES III & IV		<b>Part Number</b> M85049/69 SHEET 1 OF 1.	
All dimensions are in mm. Linear Tolerance: ±0.20 mm. Angular Tolerance: ± 2°							