

TECHNICAL INFORMATION



Mechanical:

- Tri Start Thread coupling mechanism (MIL-DTL-38999 series III type) with anti-decoupling device - Shell size 19.
- RJ45 cordset retention in the plug: 80N Max in the axis.
- RJ45 female retention in the receptacle: 40N Max in the axis.
- Minimum of 500 mating cycles.
- Vibrations: 10-500Hz, 10g, 3 axes: no discontinuity >10 nano s.
- Shocks: IK06 ► weight of 250 g drop from 40cm [15.75 in] onto connectors (mated pair).

Environmental:

- Temperature range: -40°C / +85°C.
- Fire retardant / Low smoke: UL94 V0.
- Humidity: 21 days, 43°C, 98% humidity .
- Sealed to IP 68 for fluid and dust laden environments.

Data transmission:

- 10 Base-T, 100 Base-T, and 1G Base-T Ethernet.
- High performance connectivity, up to 100 MHz.

RJ45 connector details:

- **Contacts** : Phosphor Bronze, Gold over Nickel.
- **Shielding** : Nickel-plated brass.
- **Body** : PBT UL 94V-0.
- **PCB** : FR4, UL 94V-0 (PCB termination only).
- **Voltage** : 125 VAC RMS.
- **Current Rating** : 1.5 amp.
- **Insulation resistance** : 500MΩ Min @500V DC
- **Dielectric strength** : 1000 VAC RHM 60Hz, 1min
- **Impedance** : 100±15 Ohm

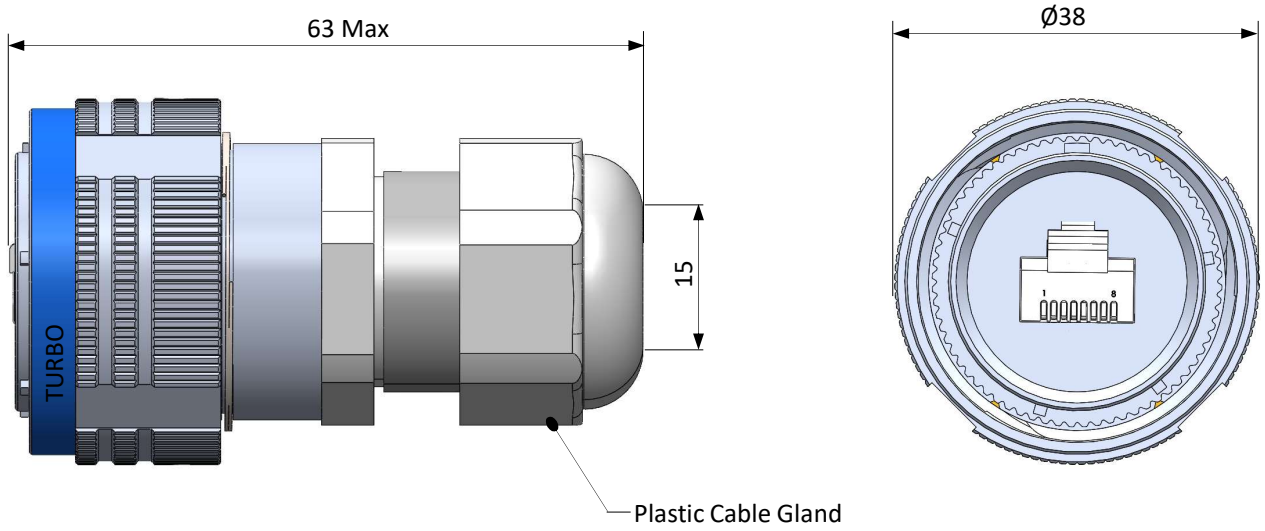
Turbo

ООО «Теллур Электроникс» г.Москва, ул.Бутлерова, д.17 Тел.: +7(495)120-50-91

<https://tellur-el.ru/>

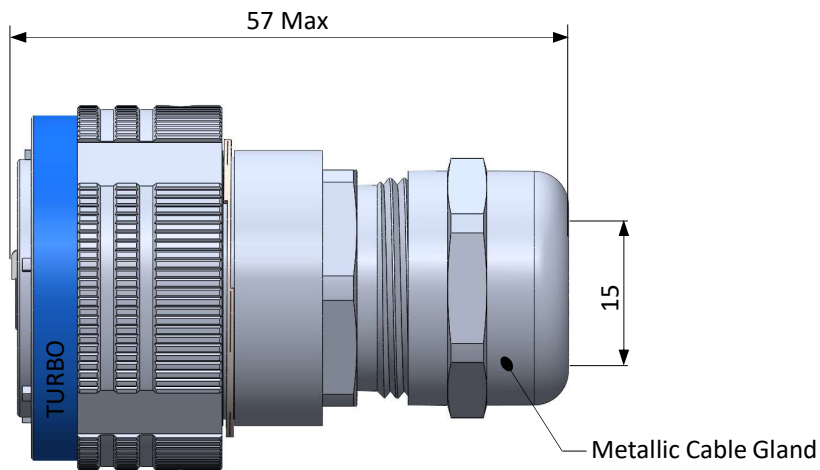
PLUG WITH PLASTIC GLAND

Part Number: [TBRJ-T-P-X](#)



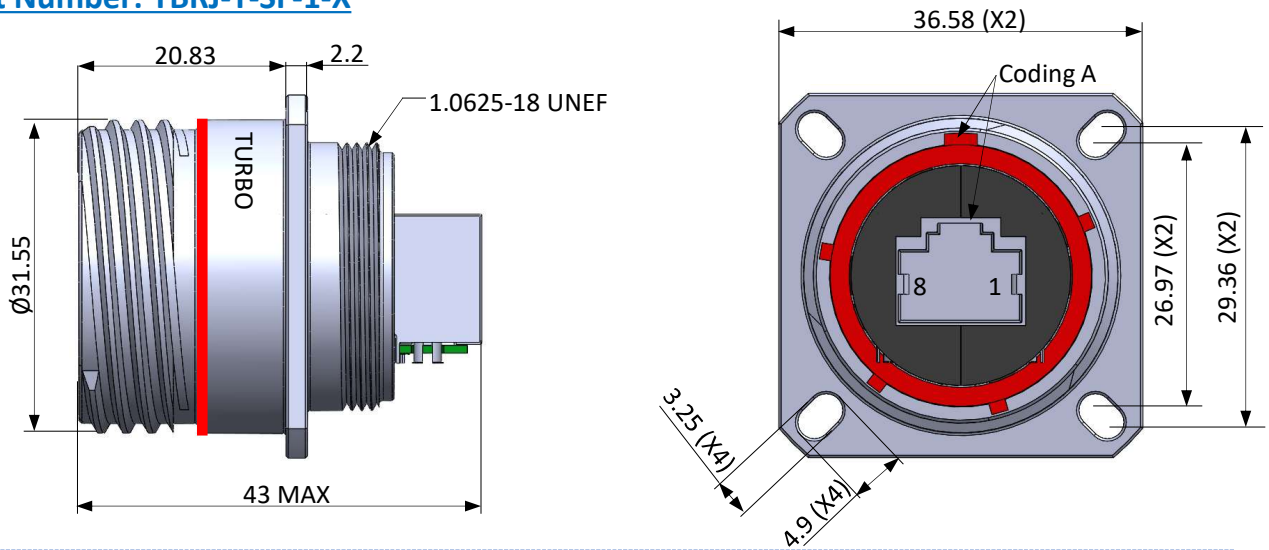
PLUG WITH METALLIC GLAND

Part Number: [TBRJ-T-PM-X](#)

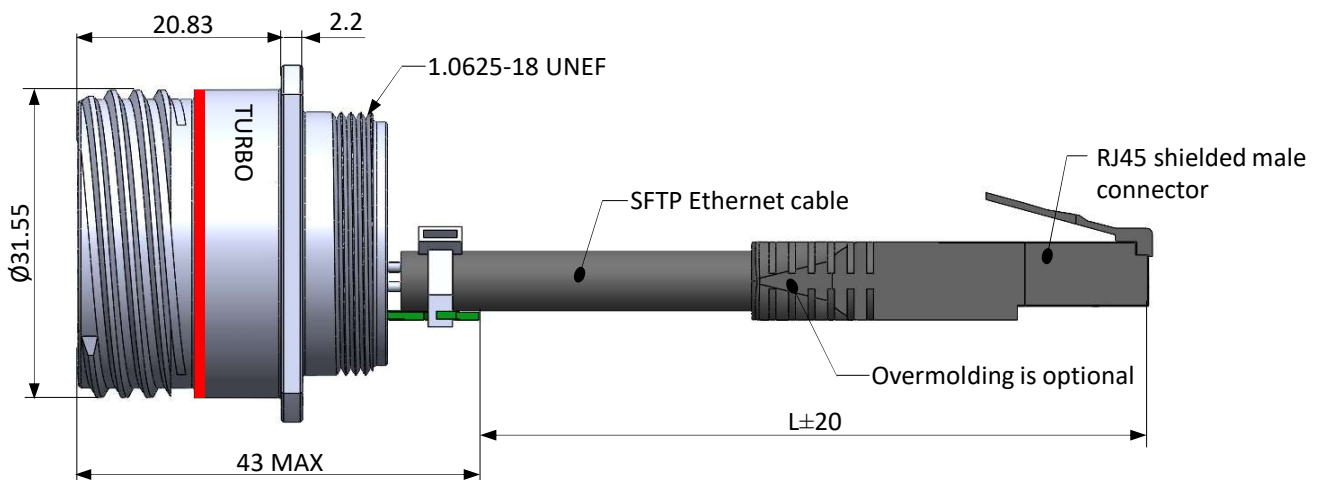


SQUARE FLANGE RECEPTACLE

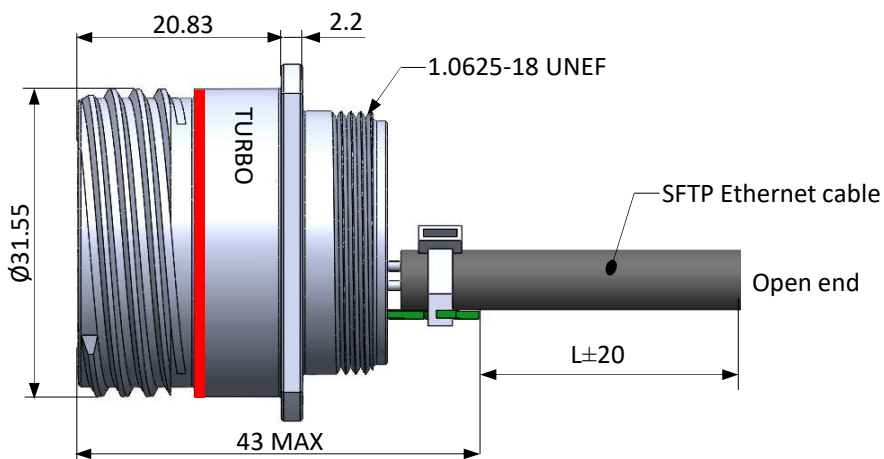
Part Number: TBRJ-T-SF-1-X



Part Number: TBRJ-T-SF-2-L-X

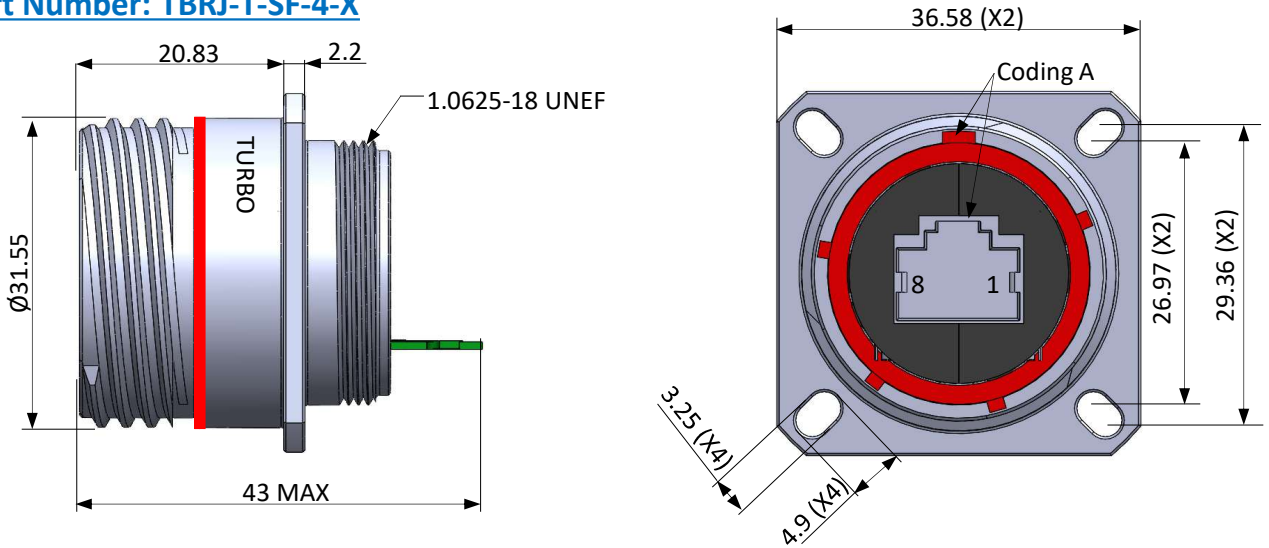


Part Number: TBRJ-T-SF-3-L-X-OPEN

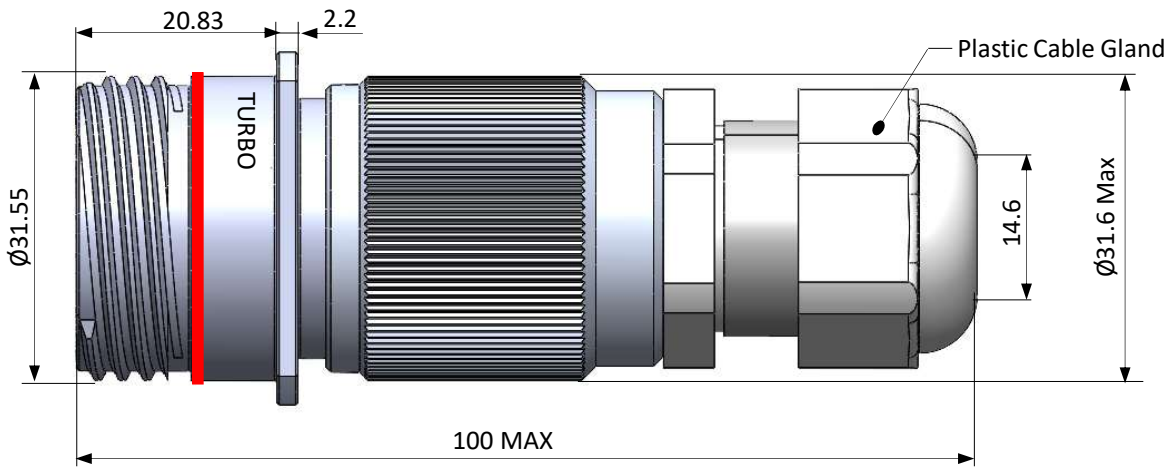


SQUARE FLANGE RECEPTACLE

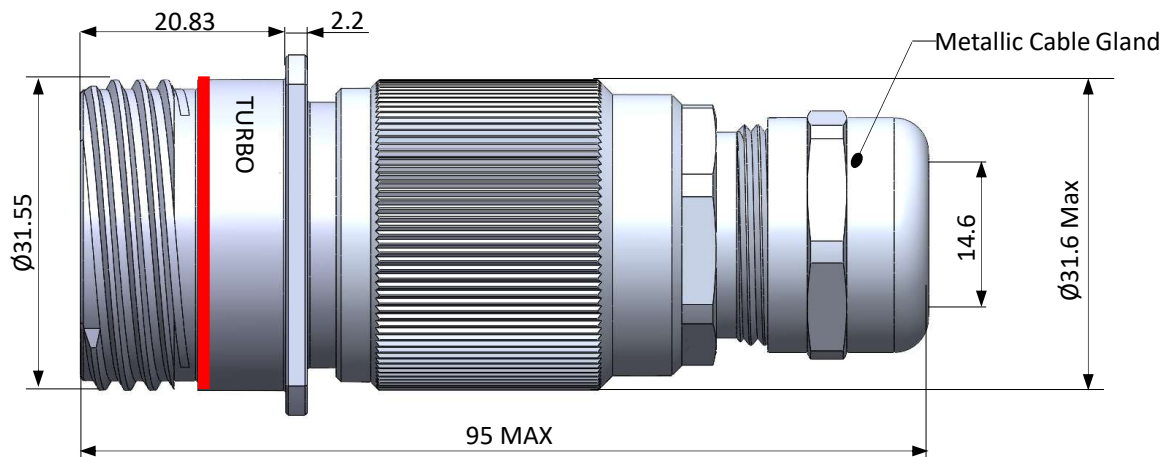
Part Number: TBRJ-T-SF-4-X

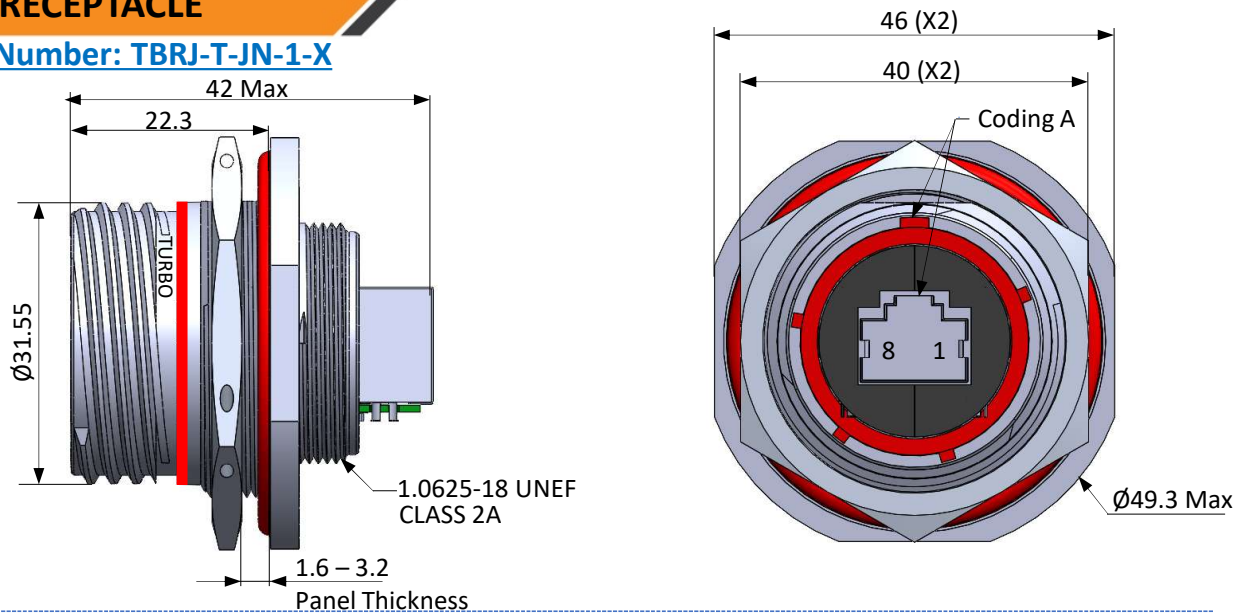
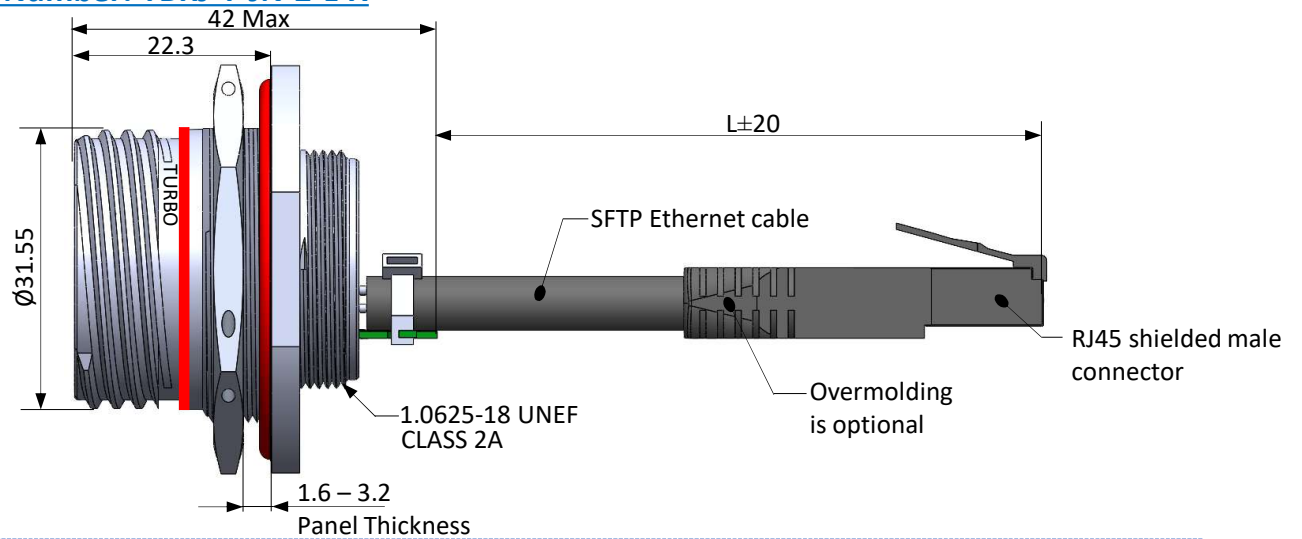
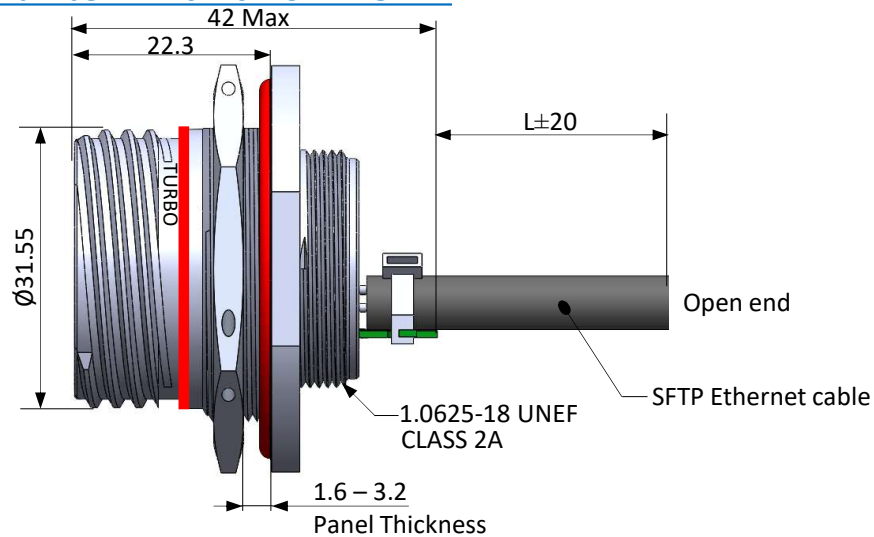


Part Number: TBRJ-T-SF-BK-1-X



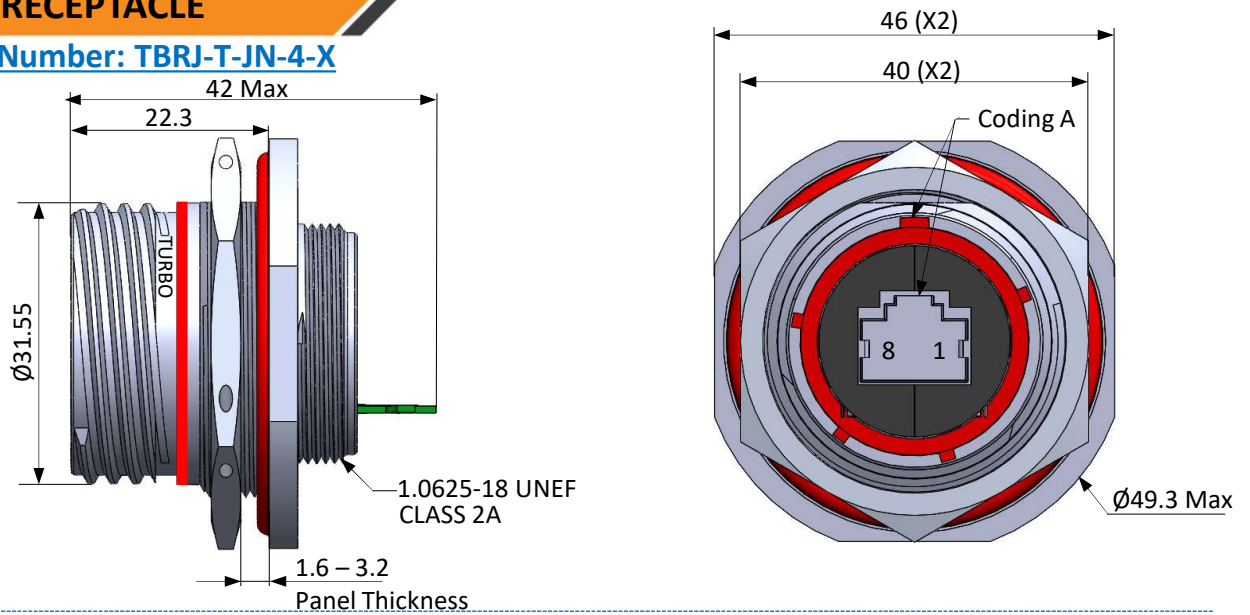
Part Number: TBRJ-T-SF-BKM-1-X



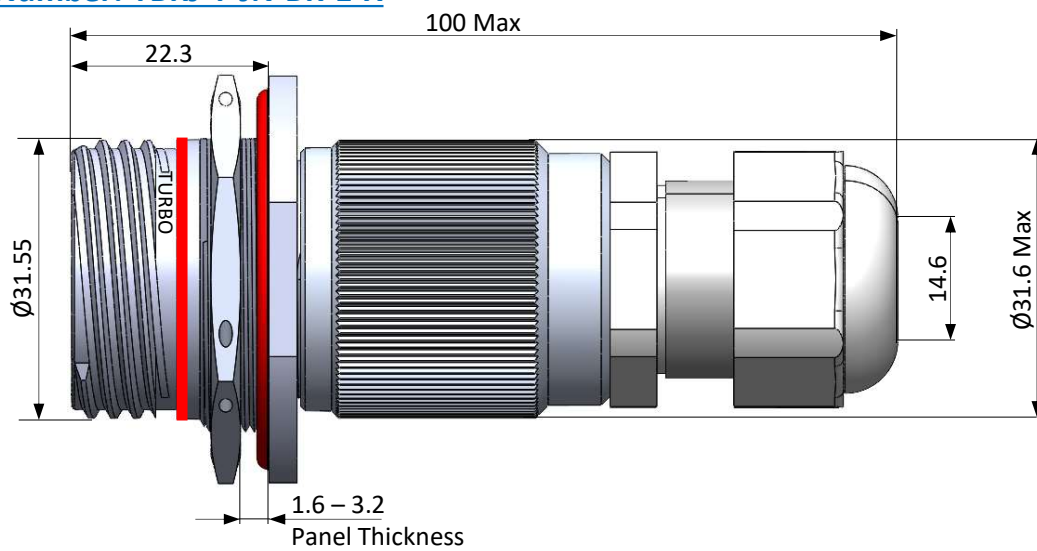
JAMNUT RECEPTACLE**Part Number: TBRJ-T-JN-1-X****Part Number: TBRJ-T-JN-2-L-X****Part Number: TBRJ-T-JN-3-L-X-OPEN**

JAMNUT RECEPTACLE

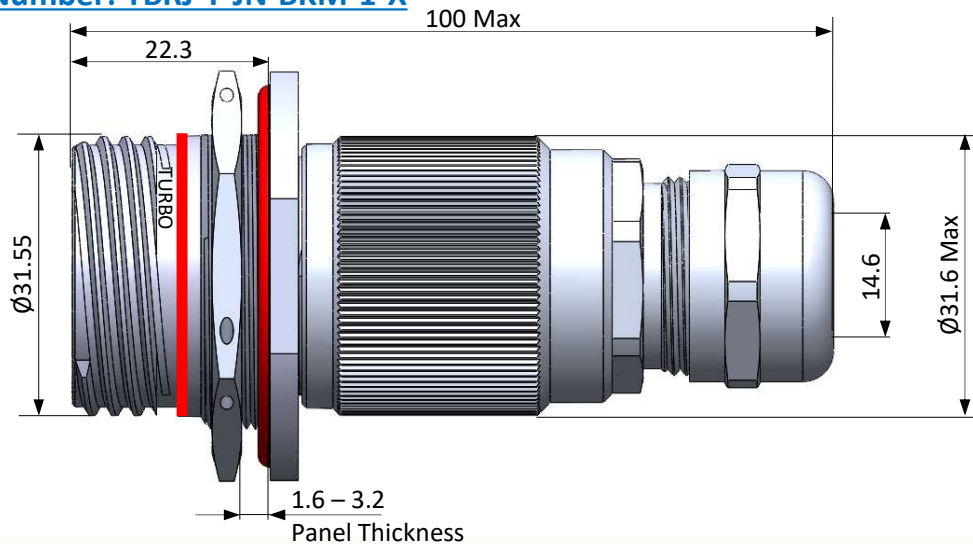
Part Number: TBRJ-T-JN-4-X



Part Number: TBRJ-T-JN-BK-1-X

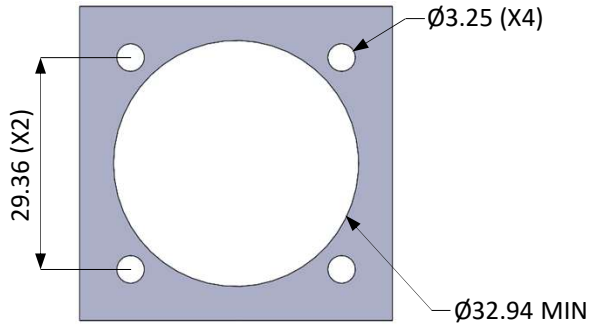


Part Number: TBRJ-T-JN-BKM-1-X

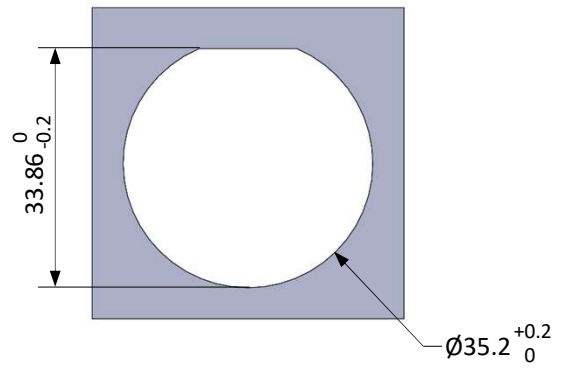


PANEL DRILLING

Square Flange Receptacle



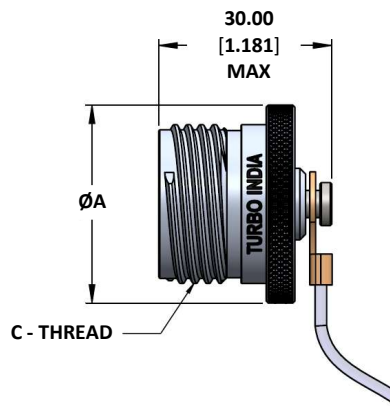
JamNut Receptacle



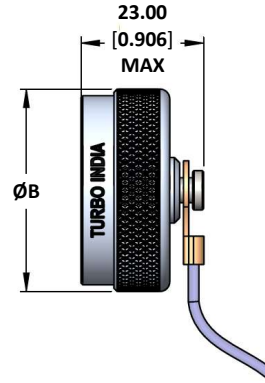
INSERT ORIENTATIONS

Coding Identification	Receptacle	Plug
A	Major key	Major key
B		
C		
D		

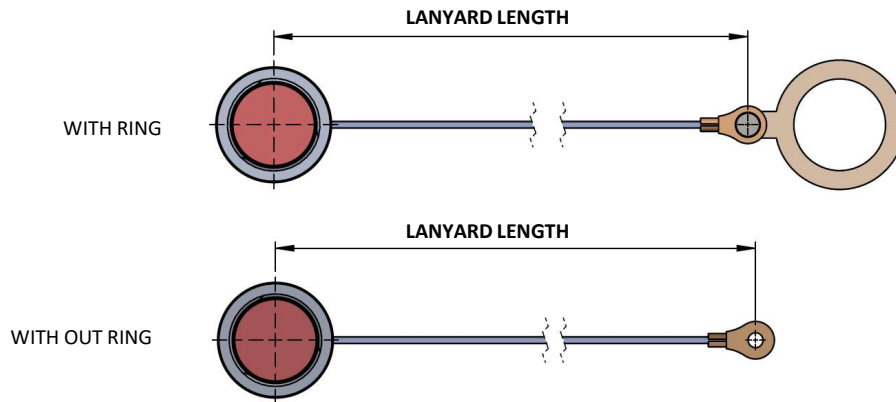
PROTECTIVE COVER



TBRJ32 - PLUG COVER

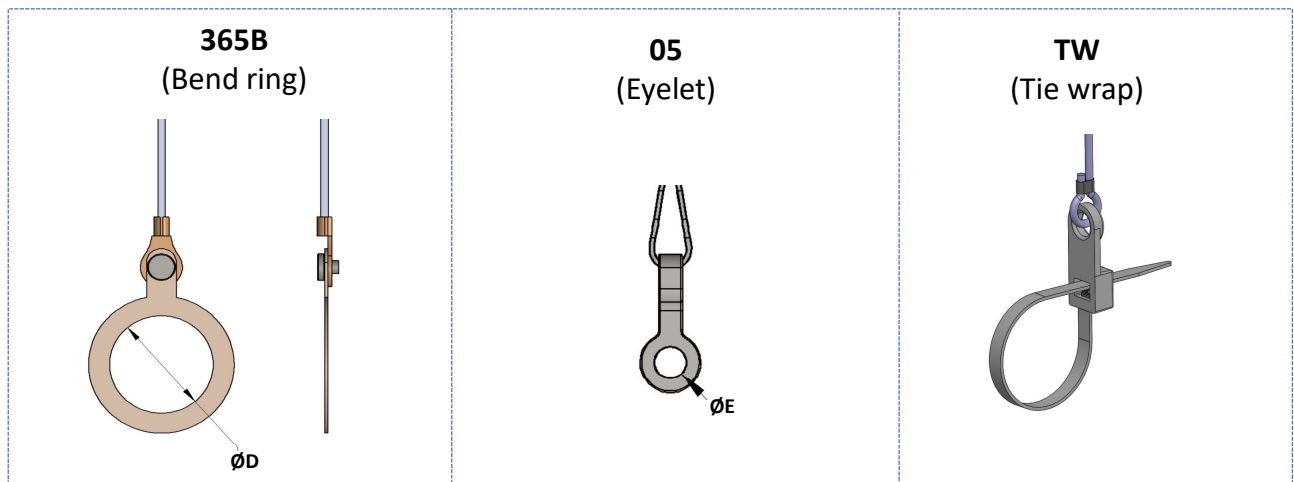


TBRJ33 - RECEPTACLE COVER



Dimensions				
ØA Max	ØB Max	C-THREAD	ØD MIN	ØE MIN
40.00	39.00	1.2500-0.1P-0.3L-TS	36.50	4.25

ATTACHMENT OPTIONS



LANYARD OPTIONS



→ Stainless steel sash chain

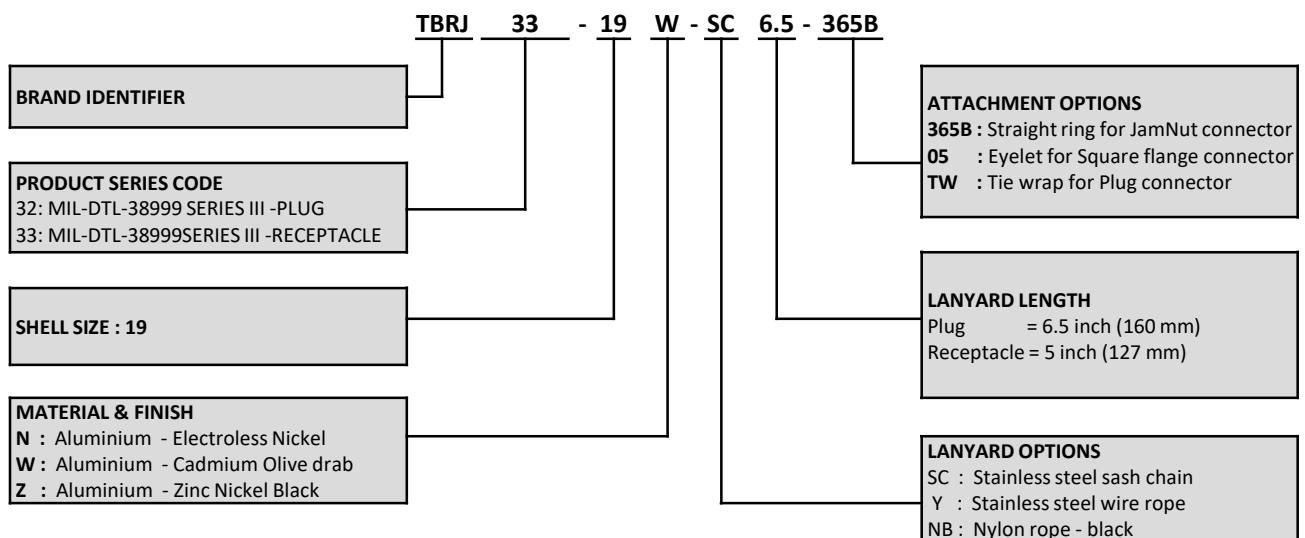


→ Stainless steel wire rope, Teflon jacket



→ Nylon rope - black

ORDERING INFORMATION



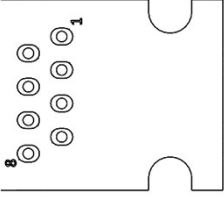

Ex:

TBRJ32-19-N-NB-6.5-TW → Plug cap with nylon rope with Tie wrap.

TBRJ33-19-N-NB-5-365B → JamNut receptacle cap with nylon rope with bend ring.

WIRING DIAGRAM

Cat.5e per TIA/EIA 568B and ClassD per ISO/IEC 11801

PCB Pin Number	T568B Pair	RJ45 Male Pin Number	T568B Pair Color	RJ45 Male
	1	1	White/Orange	
	2	2	Orange	
	3	3	White/Green	
	4	4	Blue	
	5	1	White/Blue	
	6	3	Green	
	7	4	White/Brown	
	8	4	Brown	

MATERIAL AND FINISH

Turbo Code	Material	Finish	Appearance	Process	RoHS Compliant	Salt Spray Hours
N	ALUMINIUM	ELECTROLESS NICKEL	BRIGHT METAL	AMS-C-26074 Class 4 Grade A; ASTM-B-733, SC 2, Type IV, Conductive -65 to +200°C	YES	96
W	ALUMINIUM	CADMIUM	OLIVE DRAB GREEN	AMS-QQ-P-416 Type II Class 2 over electroless nickel, Conductive -65 to +175°C	NO	500
Z	ALUMINIUM	ZINC NICKEL	BLACK	ASTM B841 Grade 5 over electroless nickel, Conductive -65 to +175°C	NO	500

