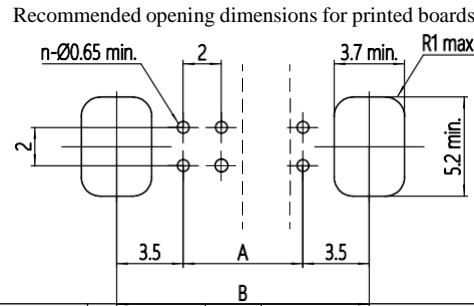
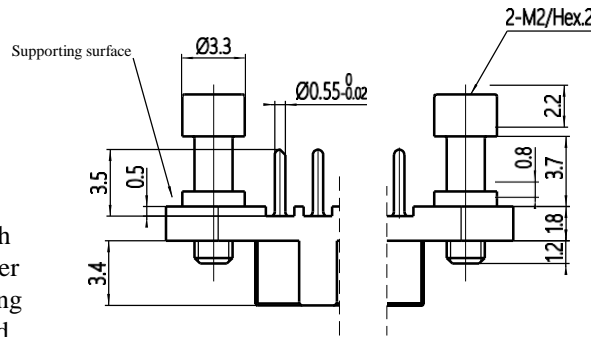
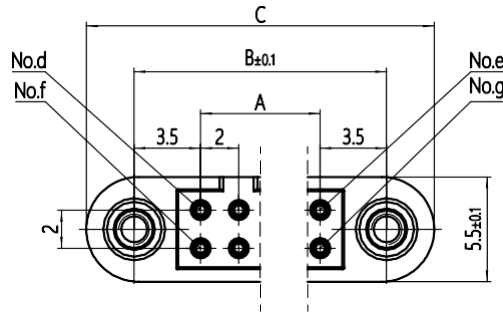
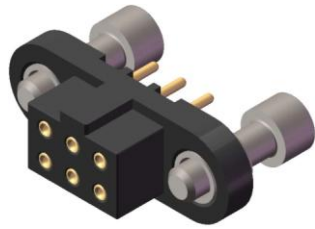


### 3D View



## Technical information

1. Basic characteristics This series of connectors is a double-row straight-hole welded plug, which is connected with the socket with corresponding core number by in-line thread locking, and has the functions of positioning identification and anti-misinsertion. Connector insertion end adopts 0.5 mm contact, transverse spacing 2mm, longitudinal row spacing 2mm. The contact parts are all gold-plated, with excellent contact performance and high reliability. This series of connectors have different sizes according to the difference of core number. Please refer to the right for details

### 2. Main technical parameters

- Rated voltage: 800V/DC
- Rated current: 3A max./25 °C
- Contact resistance: ≤10mΩ
- Insulation resistance: ≥5000MΩ/1000V/normal temperature and pressure
- Mechanical life: 500 times
- Plug-out force: 0.2 N-0.6 N

### 3. Environmental performance

- Working temperature: -60 °C ~ + 250 °C
- Relative humidity: 95%/40 °C
- Vibration: 10Hz ~ 2000Hz, 147m/S<sup>2</sup>, Instantaneous break ≤1us
- Shock: 980m/s<sup>2</sup>, Instantaneous break ≤1us
- Salt spray test: 96h

221V60F26	60	58	65	70	1	30	31	60
221V58F26	58	56	63	68	1	29	30	58
221V56F26	56	54	61	66	1	28	29	56
221V54F26	54	52	59	64	1	27	28	54
221V52F26	52	50	57	62	1	26	27	52
221V50F26	50	48	55	60	1	25	26	50
221V48F26	48	46	53	58	1	24	25	48
221V46F26	46	44	51	56	1	23	24	46
221V44F26	44	42	49	54	1	22	23	44
221V42F26	42	40	47	52	1	21	22	42
221V40F26	40	38	45	50	1	20	21	40
221V38F26	38	36	43	48	1	19	20	38
221V36F26	36	34	41	46	1	18	19	36
221V34F26	34	32	39	44	1	17	18	34
221V32F26	32	30	37	42	1	16	17	32
221V30F26	30	28	35	40	1	15	16	30
221V28F26	28	26	33	38	1	14	15	28
221V26F26	26	24	31	36	1	13	14	26
221V24F26	24	22	29	34	1	12	13	24
221V22F26	22	20	27	32	1	11	12	22
221V20F26	20	18	25	30	1	10	11	20
221V18F26	18	16	23	28	1	9	10	18
221V16F26	16	14	21	26	1	8	9	16
221V14F26	14	12	19	24	1	7	8	14
221V12F26	12	10	17	22	1	6	7	12
221V10F26	10	8	15	20	1	5	6	10
221V08F26	08	6	13	18	1	4	5	8
221V06F26	06	4	11	16	1	3	4	6
221V04F26	04	2	9	14	1	2	3	4

TEL

Model	Number of contacts	A	B	C	d	e	f	g
TEL221VnnF26 Connector model reference table								

MAR K	QT Y	CHANGE DOCUME NT NO.	SIGNATU RE	DAT E	FINISH	Ningbo HST-Tech Co., Ltd.			
DESIGN	CHECKED	ENGINEER	COUNTERSIGN	STANDARDIZATION	APPROVAL				
THIS DRAWING IS SUPPLIED FOR INFORMATION ONLY. DESIGN FEATURES, SPECIFICATIONS AND PERFORMANCE DATA SHOWN HEREON ARE THE PROPERTY OF THE CUIWEI. NO RIGHTS OF REPRODUCTION ARE IMPLIED.					FIRST ANGLE PROJECTIO	MASS	SIZE	SCALE	PHASE MARKER
						kg	A3		230101
					SURFACE AREA		mm <sup>2</sup>	PAGE	PAGES