

DATA SHEET

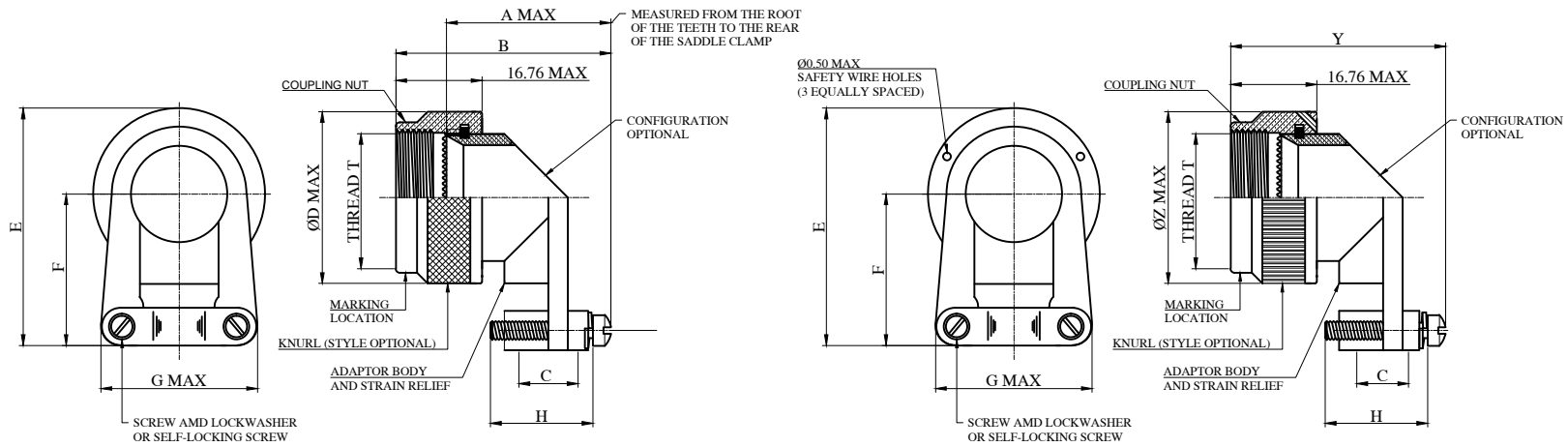


FIGURE 1: DIMENSION AND CONFIGURATION (SELF LOCKING)

FIGURE 2: DIMENSION AND CONFIGURATION (NON SELF LOCKING)

TABLE 1: SHELL SIZES & DIMENSIONS

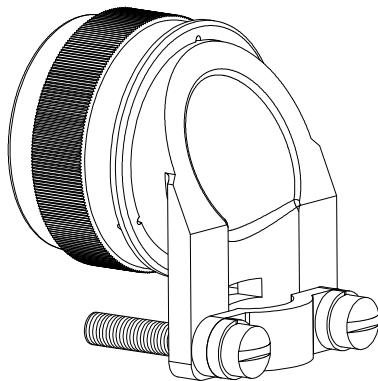
SHELL SIZE	SHELL CODE	NON SELF LOCKING		SELF LOCKING			NON SELF LOCKING & SELF LOCKING								
		ØZ	Y	A	B	ØD	C (WIRE BUNDLE)		E	F	G	H	THREAD T	G	SCREW
		MAX	MAX	MAX	MAX	MAX	MIN	MAX	MAX	MAX	MAX	MAX	6H	-1.57	SIZE
09	A	19.10	30.50	25.70	33.30	21.79	2.49	5.94	35.10	25.40	21.60	12.70	M12 X 1.0	12.70	6-32
11	B	21.60	30.50	25.70	33.30	24.99	3.89	5.94	38.90	27.90	22.90	12.70	M15 X 1.0	12.70	6-32
13	C	25.40	35.56	30.70	38.40	29.39	4.83	8.33	40.60	27.90	27.90	15.90	M18 X 1.0	15.88	6-32
15	D	27.90	36.83	32.00	39.40	32.49	6.60	11.61	45.70	31.80	29.20	19.05	M22 X 1.0	19.05	6-32
17	E	31.80	40.64	35.80	43.40	35.71	7.19	15.60	49.00	33.00	33.00	19.05	M25 X 1.0	19.05	6-32
19	F	35.60	43.18	38.40	46.00	38.51	8.26	16.10	52.10	34.30	38.10	19.05	M28 X 1.0	19.05	8-32
21	G	38.10	47.00	42.20	49.50	41.71	8.71	17.73	59.70	40.60	40.60	22.20	M31 X 1.0	22.23	8-32
23	H	41.90	49.53	44.70	53.30	44.91	9.68	20.90	65.50	44.50	43.20	25.40	M34 X 1.0	25.40	8-32
25	J	44.50	53.34	48.50	56.10	47.98	10.62	21.67	69.30	47.00	45.70	28.60	M37 X 1.0	28.58	8-32

1	Rev - 00	Change Date	Changes	Changed by:-	Checked by :-	Approved by:-	1
RC CONNECTORS PRIVATE LIMITED			Title		Part Number		
			CONNECTOR ACCESSORIES		M85049/39		
			STRAIN RELIEF 90° ; SELF LOCKING AND NON SELF LOCKING,				
			MIL-DTL-38999 SERIES III & IV				
					SHEET 1 OF 2.		

DATA SHEET

TABLE 2: MATERIAL AND FINISH

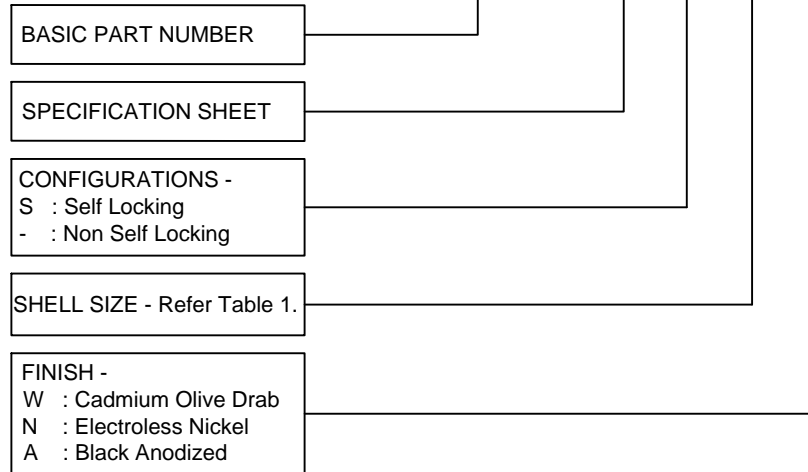
SPECIFICATION		
COMPONENT	MATERIAL	FINISH
Shell	Aluminium	Cadmium Olive Drab
		Electroless Nickel
		Black Anodized
Fastners	Stainless Steel	Passivated



ISOMETRIC VIEW

ORDERING INFORMATION

M85049 / 39 S 11 W



NOTE:-

1. All Dimensions are in mm
2. Coupling nut shall be captivated and rotatable.
3. Clamps shall not have any sharp edges.
4. Wire Bundle accommodation range (C) is defined as the envelope area of the wire bundle

1	Rev - 00	Change Date	Changes	Changed by:-	Checked by :-	Approved by:-	1
RC CONNECTORS PRIVATE LIMITED Drawn by : - Abhishek Checked by : - Nithin Approved by : - Vijay Approved date : - 10/07/2024				Title CONNECTOR ACCESSORIES STRAIN RELIEF 90° ; SELF LOCKING AND NON SELF LOCKING, MIL-DTL-38999 SERIES III & IV		Part Number <h2 style="text-align: center;">M85049/39</h2>	
All dimensions are in mm. Linear Tolerance: ±0.20 mm. Angular Tolerance: ± 2°						SHEET 2 OF 2.	