

PPC系列连接器由密封仪表的PPC5、PPC4和非密封电缆插头PPC3组成，PPC5仪表插座使用不锈钢外壳，插针使用镀镍，PPC3使用镀银或镀金。所有连接器的外壳都具有单键极化和多位置安装的绝缘体，以防止在连接相同直径时的错插、混插，插头可选配带尾附和不带尾附。

This series connectors consist of sealed instrument PPC5, PPC4, and a non-sealed cable socket PPC3, the PPC5 instrument connector use stainless steel shell, contact use nickel plating, PPC4 female contacts use silver or gold plating. All the connectors have single-key polarization of the housings and a multi-position installation of insulators, which prevents confusion when connecting the same diameters. Cable sockets are provide without a backshell or with a straight or angular backshell.



### 技术性能：

- 环境温度：-60℃ ~ +100℃
- 接触电阻：≤5.0mΩ
- 工作电压：200V
- 接触件工作电流：0.5A
- 绝缘电阻：≥1000MΩ 常温  
≥20MΩ 高温
- 机械寿命：插拔250次
- 储存期限：5年

### Technical characteristics：

- Working temperature :- 60℃ ~ +100℃
- Contacts resistance: ≤5.0mΩ
- Working voltage: 200V
- Contacts working current :0.5A
- Insulation resistance : ≥ 1000MΩ Normal temperature  
≥ 20MΩ High temperature
- Mechanical life: Mating 250 times
- Storage time: 5 years

### 命名：

系列：PPC3, PPC4, PPC5  
芯数：4, 7, 10, 19, 32, 50  
接触件镀层方式：A-镀金 B-镀银  
连接器类型：1-面板插座不带尾附  
0-插头不带尾附  
7-插头带直式尾附  
9-插头带弯式尾附  
P-转接器  
变键位：1.2....20  
B: 全天候

PPC3 - 10 A - 1 - B

### How to order：

Series: PPC3, PPC4, PPC5  
No. of contacts: 4, 7, 10, 19, 32, 50  
Contacts plating: A-Gold B-Silver  
Connector type: 1-Instrument plug without tail  
0-Cable socket without tail  
7-Cable socket with straight tail  
9-Cable socket with angle tail  
P-Adapter  
Polarization key: 1.2....20  
B: All climatic

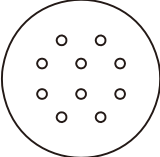
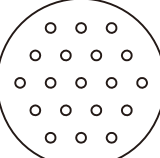
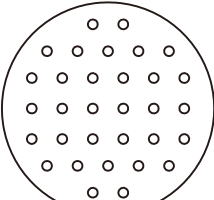
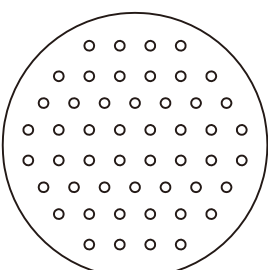
PPC3 - 10 A - 1 - B

### 型谱图：孔位排列（从插孔方向看） Pins arrangement (view from socket the mating side)

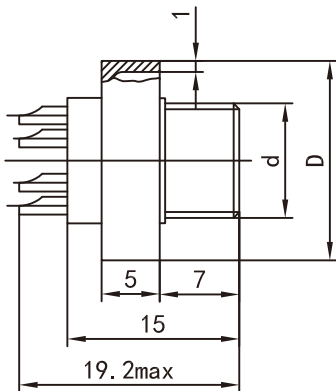
壳体号 Shell No.	型谱图 Pin arrangement	接触件数 No. of contacts	键位号 orientation key	工作电流 Working current (A)
10		4	1	1.5
12		7		

# PPC系列连接器

PPC series connectors

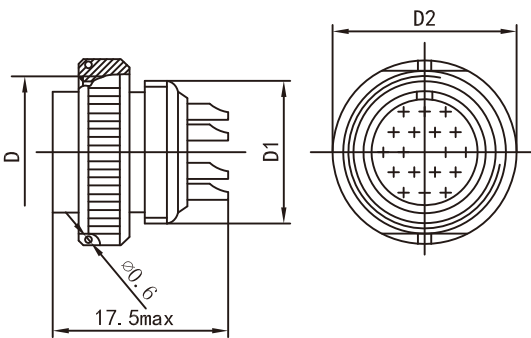
壳体号 Shell No.	型谱图 Pin arrangement	接触件数 No. of contacts	键位号 orientation key	工作电流 Working current (A)
14		10	1 (2, 3, 4, 5)	1.5
18		19	1 (2, 3, 4)	1.1
22		32	1 (2, 3, 4, 5, 6, 7, 8, 9, 10, 11, 12)	0.9
27		50	1 (2, 3, 4, 5, 6, 7, 8, 9, 10, 11, 12)	0.7

PPC3 Instrument plug (male) without tail (PPC3-XXX-1)



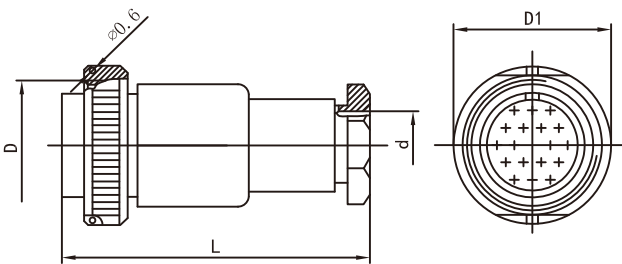
壳体号 Shell No.	d	D
10	M10x0.75	17.4
12	M12x0.75	19.4
14/y	M14x0.75	25/21.4
18/y	M18x1.0	29/25.4
22	M22x1.0	33
27	M27x1.0	38

PPC3 Cable socket (female) without tail (PPC3-XXX-0)



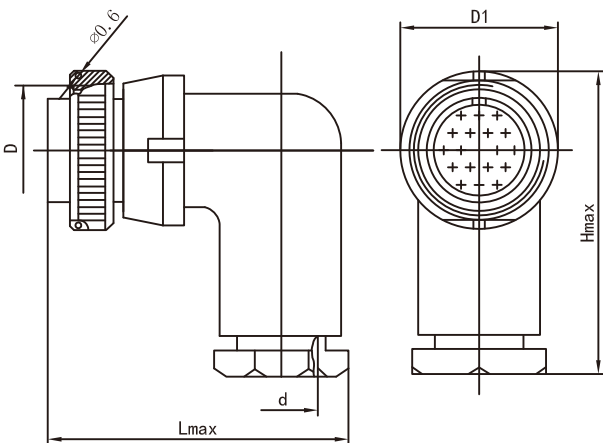
壳体号 Shell No.	D	D1	D2
14	M14x0.75	M14x0.75	18
18	M18x1.0	M18x0.75	22.5
22	M22x1.0	M22x0.75	26.5
27	M27x1.0	M27x0.75	31.5

PPC3 Cable socket (female) with straight tail (PPC3-XXX-7)



壳体号 Shell No.	d	D	D1	Lmax
14	9	M14x0.75	18	40
18	11	M18x1.0	22.5	42
22	13	M22x1.0	26.5	44
27	16	M27x1.0	31.5	48

PPC3 Cable socket (female) with angle tail (PPC3-XXX-9)

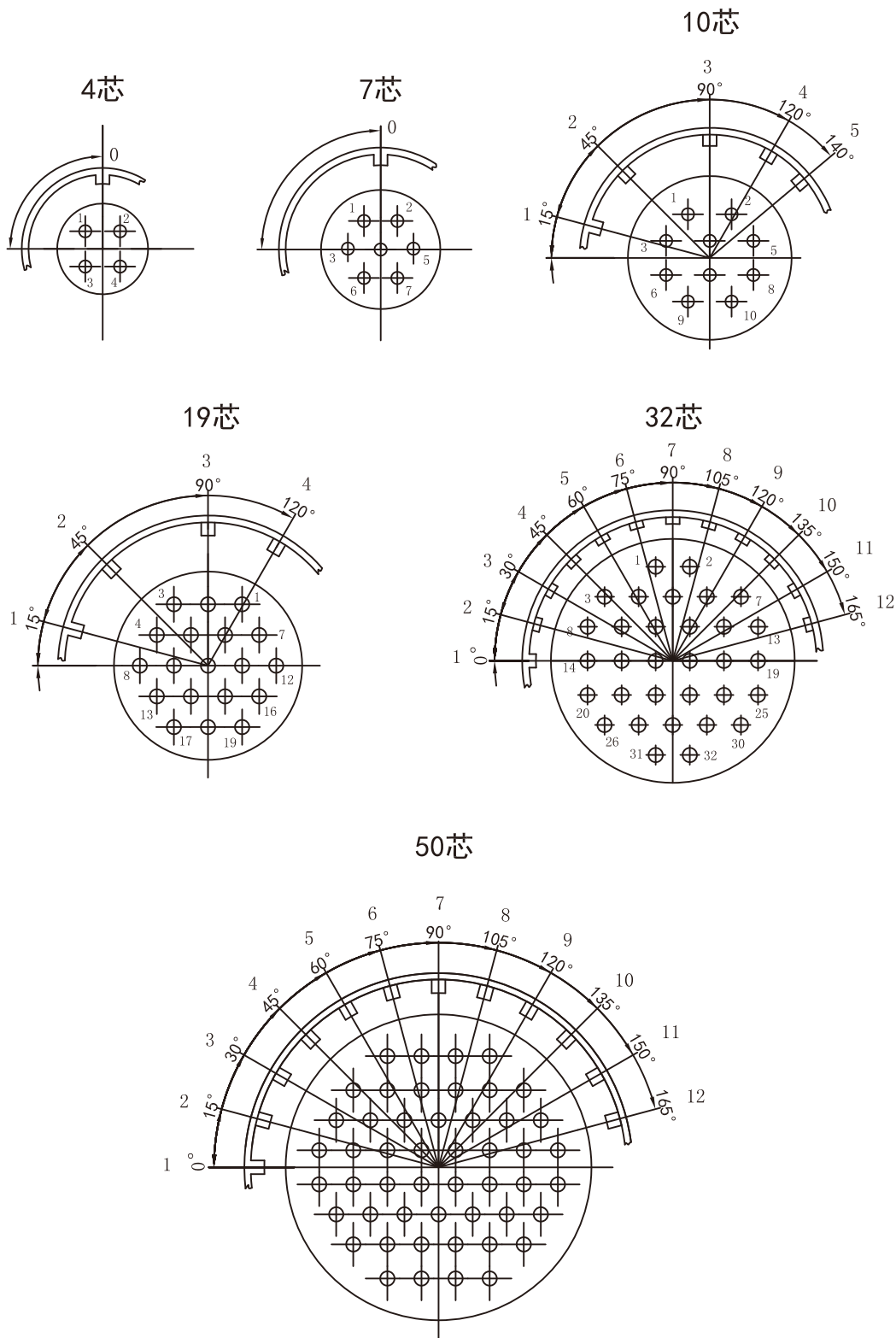


壳体号 Shell No.	d	D	D1	Lmax	Hmax
14	9	M14x0.75	18	40	36
18	11	M18x1.0	22.5	42	40
22	13	M22x1.0	26.5	44	44.5
27	16	M27x1.0	31.5	48	51.5

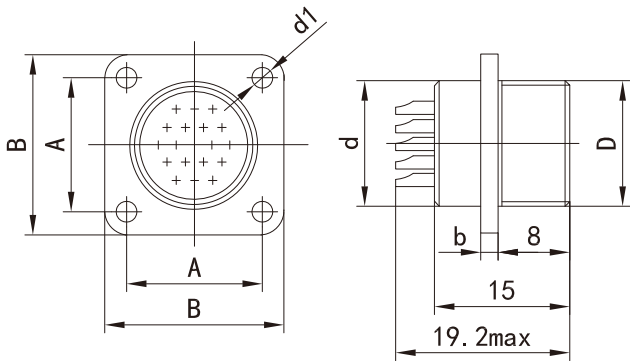
# PPC系列连接器

PPC series connectors

## 键位示意图 Diagram of orientation key

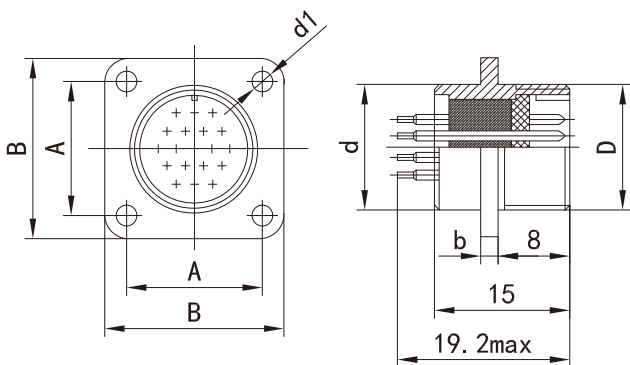


PPC5 Instrument plug (male) without tail (PPC3-XXX-5)



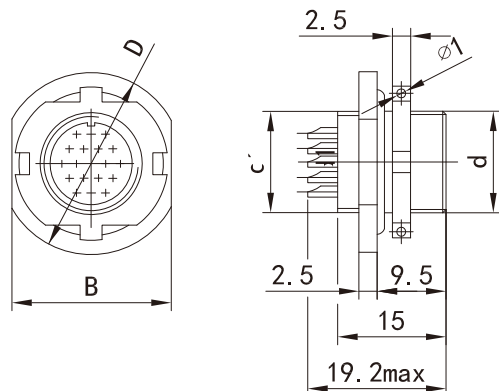
壳体号 Shell No.	d	d1	A	B	b	D
14	14	2.2	15	20	1.8	M14x0.75
18	18	2.7	18	24	2	M18x1.0
22	22	2.7	21.5	28	2	M22x1.0
27	27	3.2	26	33	2	M27x1.0

PPC5 Instrument plug (male) for PCB



壳体号 Shell No.	D	d	A	B	b	d1
14	M14x0.75	14	15	20	1.8	2.2
18	M18x1.0	18	18	24	2	2.7
22	M22x1.0	22	21.5	28	2	2.7
27	M27x1.0	27	26	33	2	3.2

PPC4 Instrument plug (male) without tail (PPC4-XXX-1)



壳体号 Shell No.	d2	d	D	B
14	M14x0.75	M14x0.75	25	22
18	M18x0.75	M18x1.0	29	26
22	M22x0.75	M22x1.0	33	30
27	M27x0.75	M27x1.0	38	35

# PPC系列连接器

PPC series connectors

## 印制板示意图 Circuit board hole layouts for mounting

