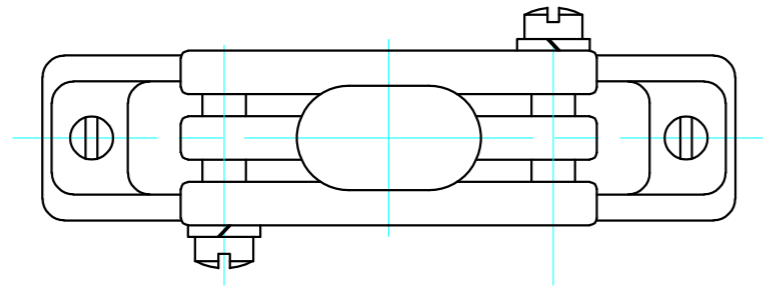
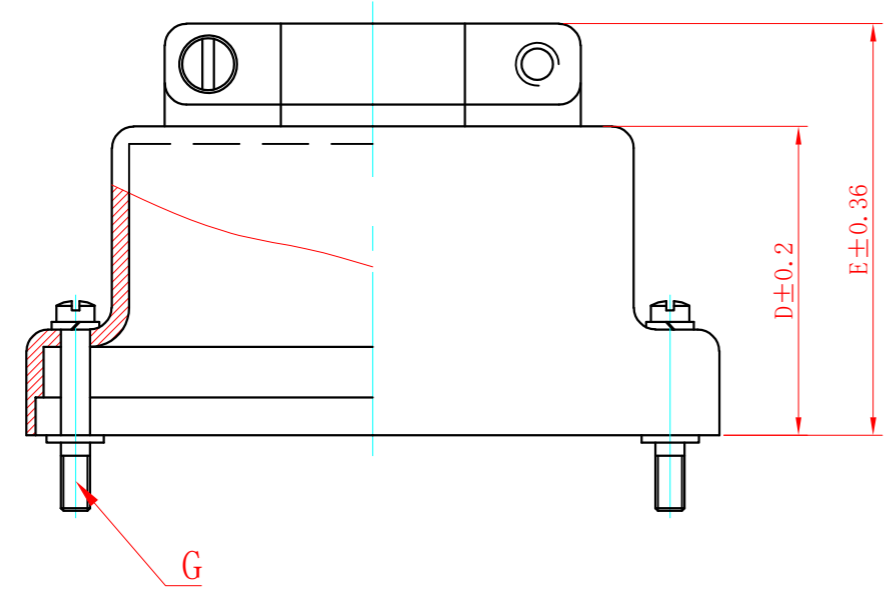
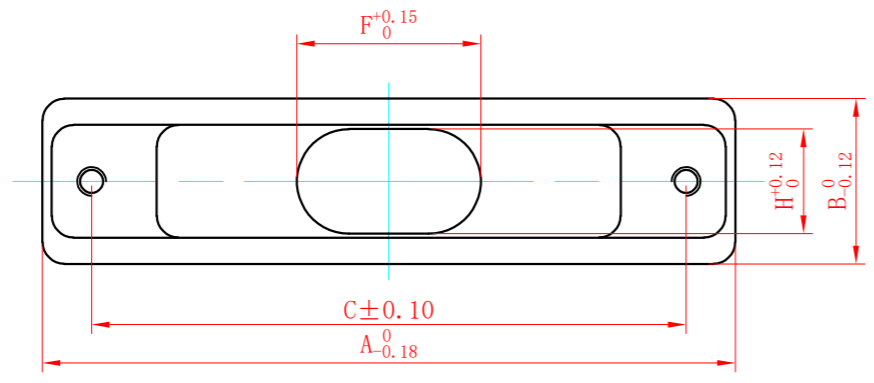


REV	Revise No.



THE TECHNICAL REQUIREMENTS
 1.MATERIAL:ALUMINUM 2A12
 2.COATING:NI18-25
 3.TEMPERATURE RANGE:-50 °C ~ 175°C

Contacts	A	B	C	D	E	F	H	G
9	21.10	11.40	14.4	13.50	19.10	4.10	4.10	2-56UNC-2A
15	25.00	11.40	18.2	14.70	20.30	4.80	4.80	2-56UNC-2A
21	28.90	11.40	22	16.00	23.10	5.60	5.60	2-56UNC-2A
25	31.30	11.40	24.5	17.30	24.40	6.60	6.60	2-56UNC-2A
31	35.10	11.40	28.3	18.30	25.40	7.00	7.00	2-56UNC-2A
37	38.90	11.40	32.1	19.30	26.40	7.20	7.20	2-56UNC-2A
51	37.90	12.60	30.9	21.30	28.40	8.90	8.90	2-56UNC-2A
A51	47.80	11.40	41	21.30	28.40	12.70	7.20	2-56UNC-2A
67	58.00	11.40	51.2	21.30	28.40	12.70	7.20	2-56UNC-2A
69	45.30	11.40	38.5	21.30	28.40	12.70	8.10	2-56UNC-2A
100	56.20	13.70	45.70	23.10	30.20	13.50	10.20	4-40UNC-2A

Unit:mm	Heat treatment	Plnte	P/N: R04A-AF		Denomination: BACKSHELL	
Important Dimension *	Critical Dimension **	Design	Wo wo	2022. 03. 02	DWG No.: LHs8. 463. 0000	Character
General tolerance	X ±0.15	X° ±1°	Check	Auditing	Wu gang	Material:
.X ±0.10	.X° ±0.5°	Technics	Standard check	Approve	Xianghuaming	acreaage (mm²):
.XX ±0.05	.XX° ±0.05°	Standard check	Phase marker	Weight	Scale	Sheet of
.XXX ±	.XXX° ±	Approve	D	4:1	1 / 1	REV A000

Signature

Drawing No.

Archives