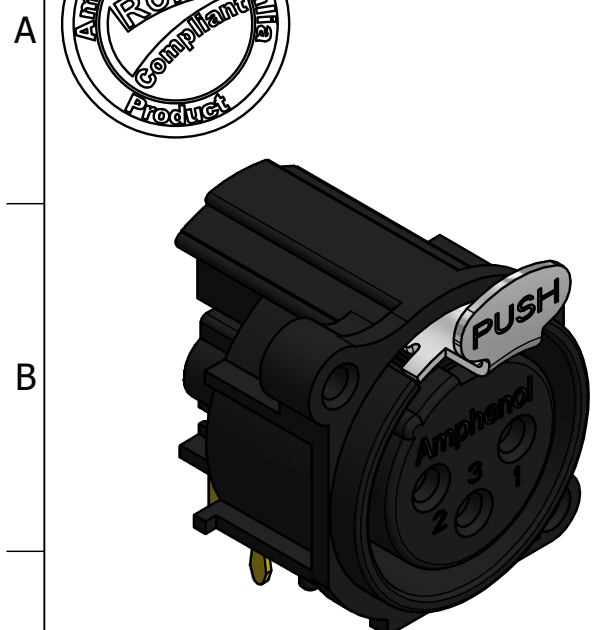


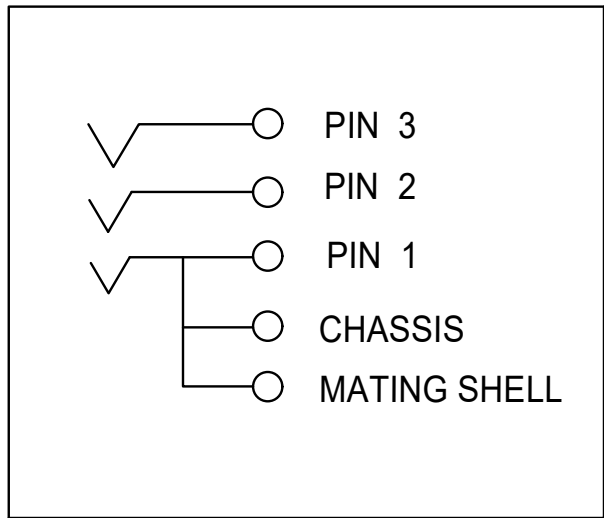
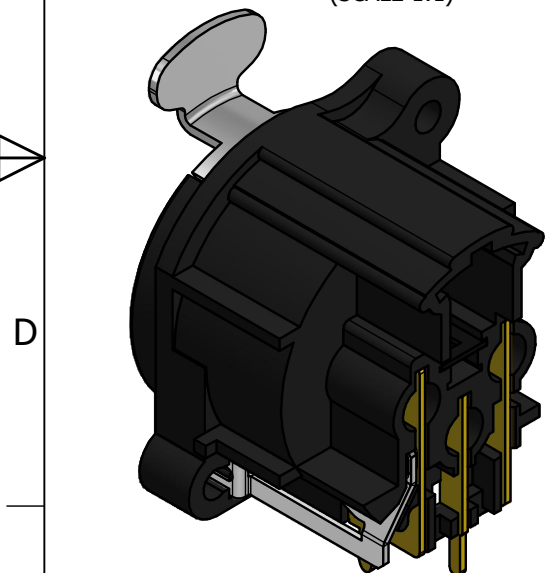
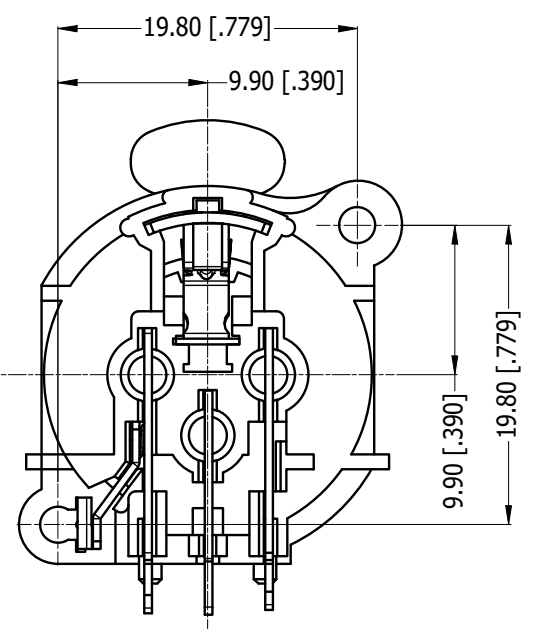
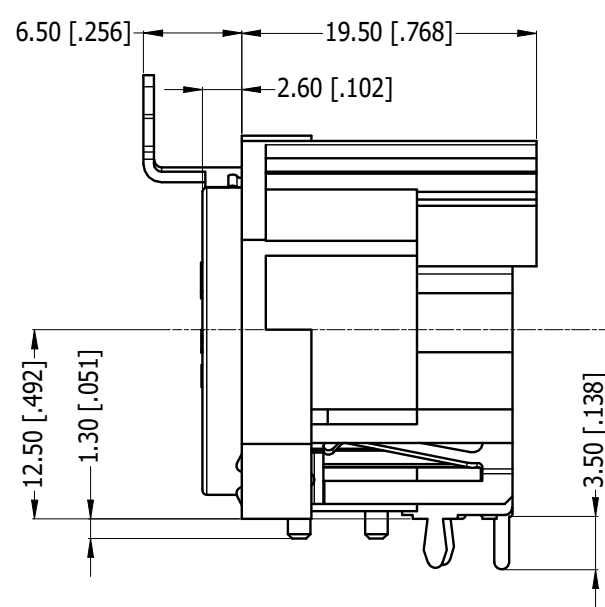
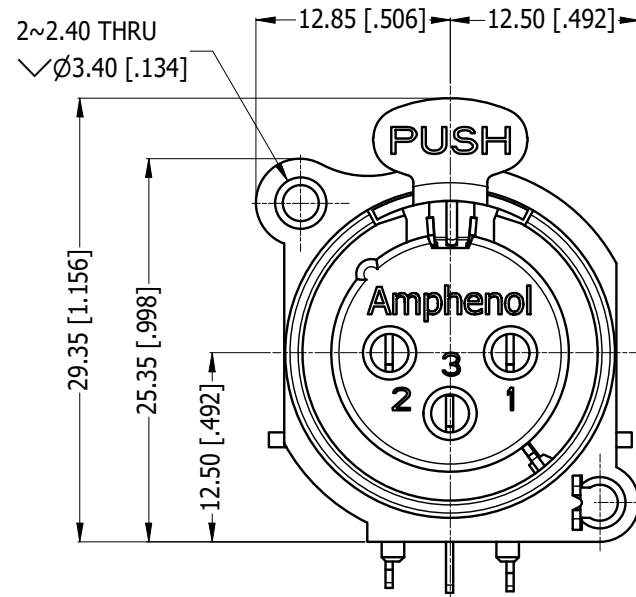
LEGEND = KEY PRODUCT CHARACTERISTICS



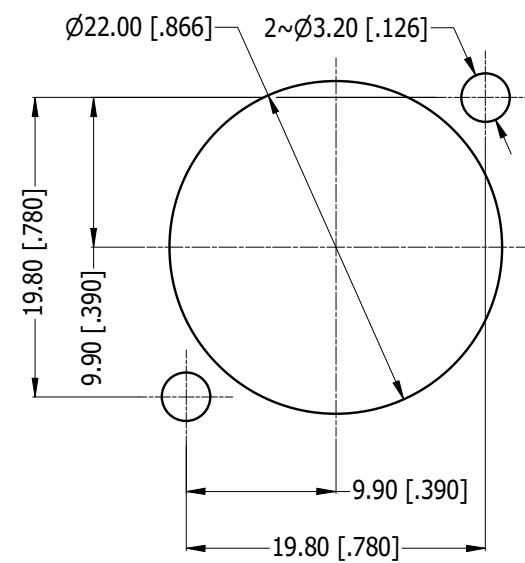
REVISION HISTORY				
REV	DESCRIPTION	DATE	BY	CHG/No
0	FIRST ISSUE	20/08/2014	MH	---
1	CORRECT THE CONTACT HEIGHT	16/11/2020	MH	9626



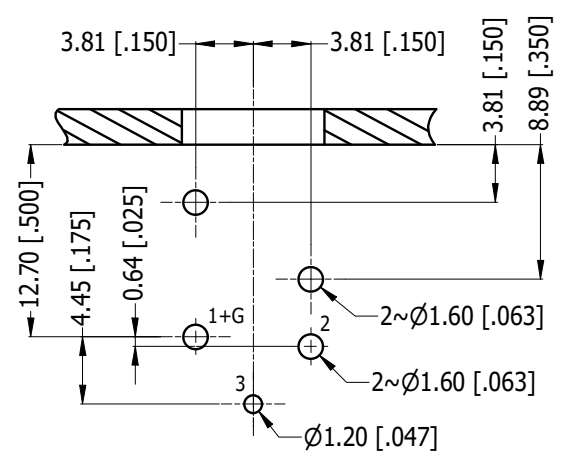
ISO VIEW
(SCALE 1:1)



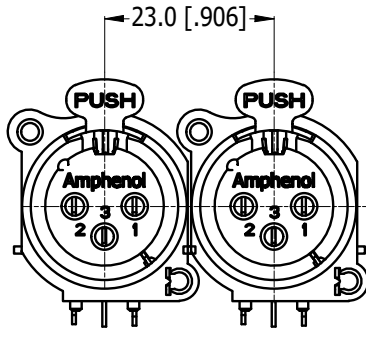
SCHEMATIC CHART



PANEL CUT OUT
REAR VIEW



PCB-LAYOUT
COMPONENT SIDE
TOLERANCE: $\pm 0.05\text{mm}$ [.002"]



MIN MOUNTING PITCH
SCALE 1:1

UNLESS OTHERWISE SPECIFIED TOLERANCE TO BE		THIS DOCUMENT IS THE PROPERTY OF AMPHENOL AUSTRALIA PTY. LTD. NO PART THEREOF MAY BE REPRODUCED AND USED WITHOUT THE PRIOR WRITTEN CONSENT OF THE OWNER				Amphenol Amphenol Australia Pty.Ltd, 22 Industry Blvd, Carrum Downs, VIC 3201	
LINEAR		ANGULAR		MATERIAL: REFER TO COMPONENT	DRN: MH	DATE: 20/08/14	TITLE: AC3FAH1-AU-PRE HORIZONTAL FEMALE CUSTOMER DRAWING
X ±0.5	X' ±1	X.X' ±30'		BREAK ALL SHARP EDGES AND REMOVE ALL BURRS	CKD: M.H	DATE: 16/11/20	PART No: AC3FAH1-AU-PRE
X.XX ±0.1	X.X'X' ±15'	DO NOT SCALE		FINISH: REFER TO COMPONENT	APP'D: P.M	DATE: 16/11/20	DRAWING No. 55011028-000-2
DIMENSIONS IN MILLIMETRES		THIRD ANGLE PROJECTION		SCALE: 2:1	SIZE: A3	CAD FILE: 55011028000221	SHEET 2/2