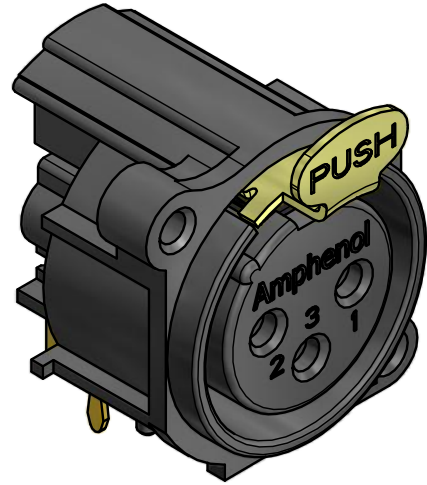
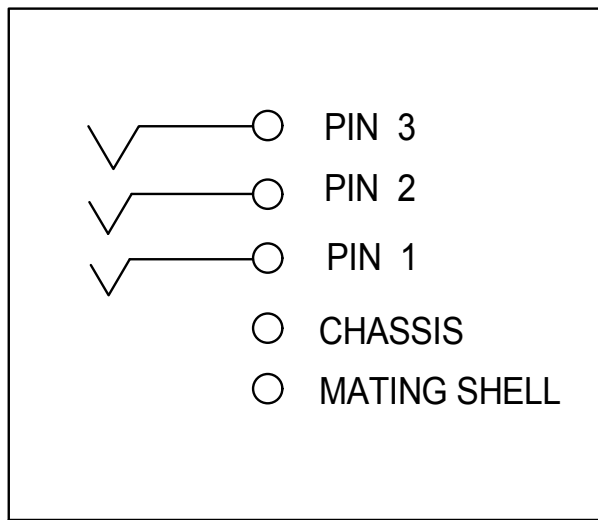
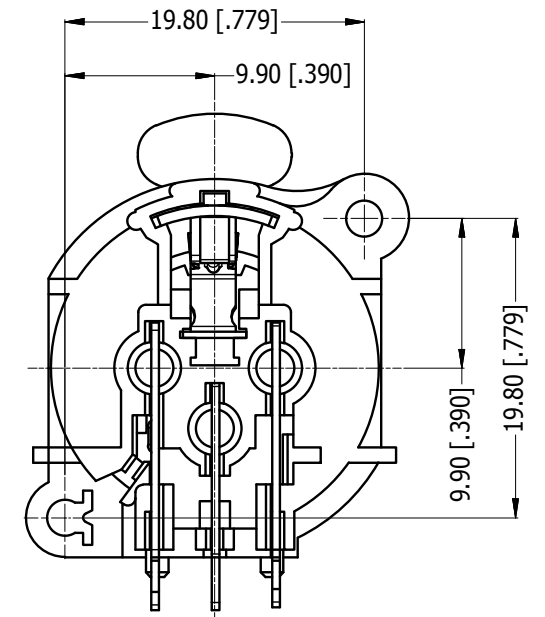
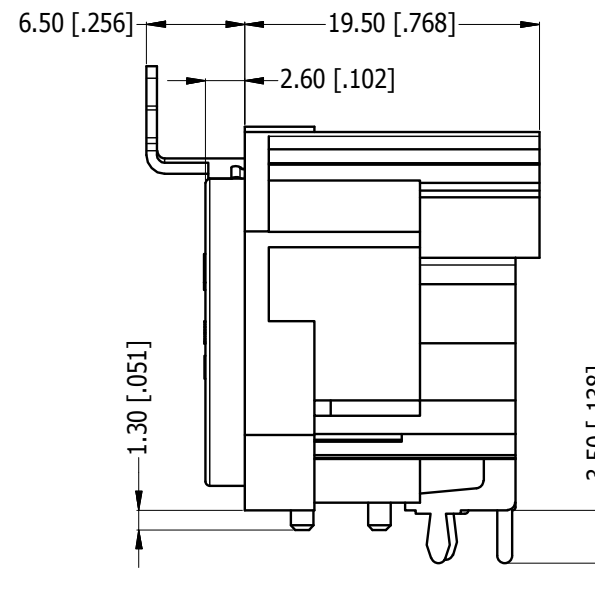
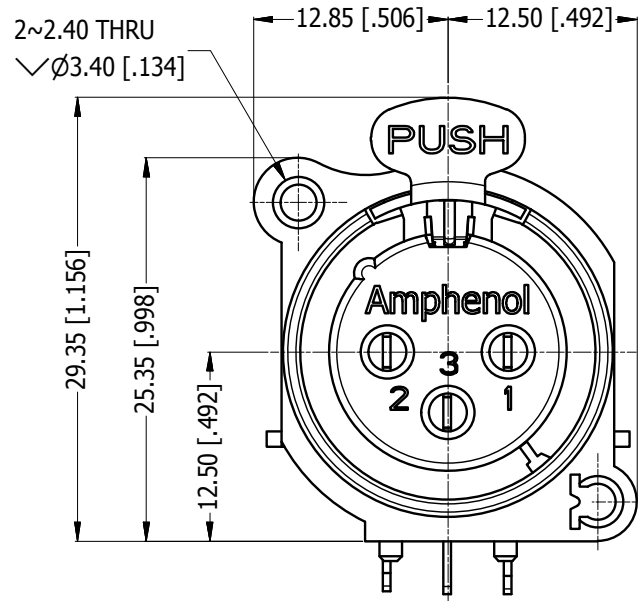
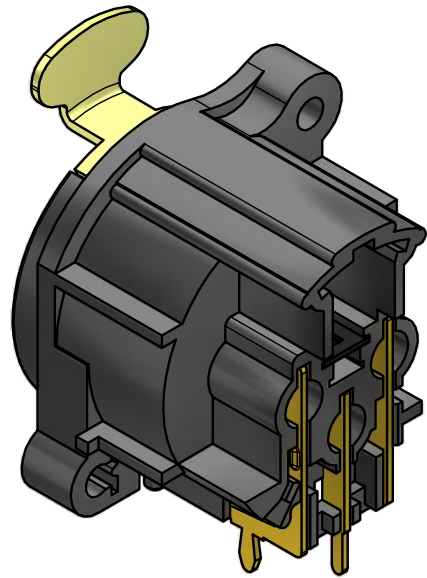


LEGEND = KEY PRODUCT CHARACTERISTICS

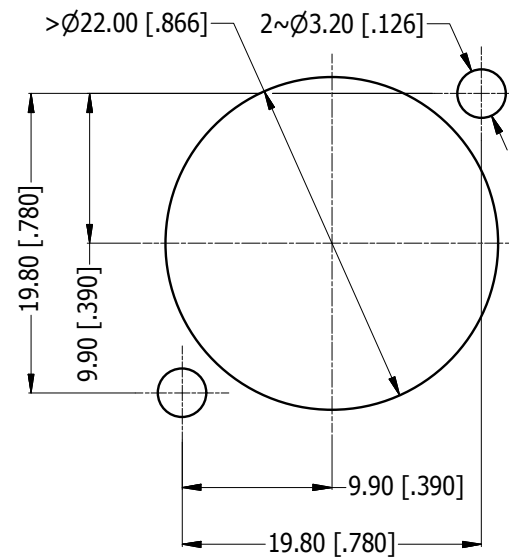
REVISION HISTORY				
REV	DESCRIPTION	DATE	BY	CHG/No
0	FIRST ISSUE	20/08/2014	MH	---



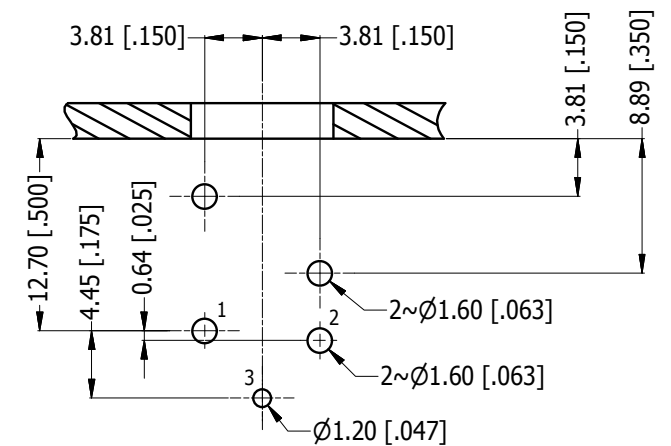
ISO VIEW



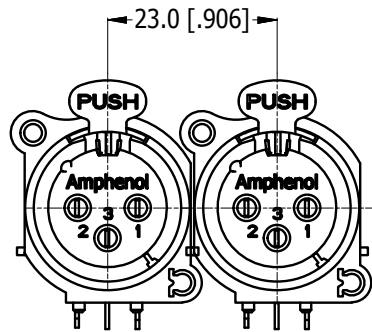
SCHEMATIC CHART



PANEL CUT OUT
REAR VIEW



PCB-LAYOUT
COMPONENT SIDE
TOLERANCE: $\pm 0.05\text{mm}$ [0.002"]



MIN MOUNTING PITCH
SCALE 1:1

UNLESS OTHERWISE SPECIFIED TOLERANCE TO BE		THIS DOCUMENT IS THE PROPERTY OF AMPHENOL AUSTRALIA PTY. LTD. NO PART THEREOF MAY BE REPRODUCED AND USED WITHOUT THE PRIOR WRITTEN CONSENT OF THE OWNER				Amphenol Amphenol Australia Pty.Ltd, 22 Industry Blvd, Carrum Downs, VIC 3201	
LINER	ANGULAR	MATERIAL:	DRN: MH	DATE: 20/08/14	TITLE:	PART No:	
X ±0.5	X' ±1	REFER TO COMPONENT	CKD: M.H	DATE: 20/08/14	AC3FAH-AU-PRE	AC3FAH-AU-PRE	
X.X ±0.2	X.X' ±30'	BREAK ALL SHARP EDGES AND REMOVE ALL BURRS	APP'D: P.M	DATE: 20/08/14	HORIZONTAL FEMALE	DRAWING NO.	
X.XX ±0.1	X.XX" ±15'	DO NOT SCALE	FINISH: REFER TO COMPONENT	SCALE: 2:1	CUSTOMER DRAWING	55011035-000-2	
DIMENSIONS IN MILLIMETRES		THIRD ANGLE PROJECTION		SIZE: A3	CAD FILE: 55011035000220	SHEET 2/2	