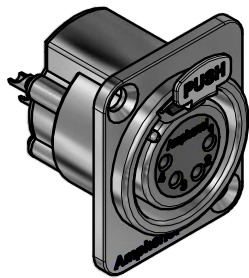


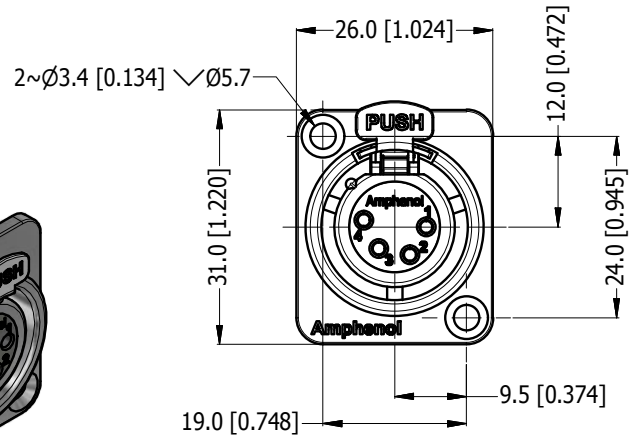
LEGEND = KEY PRODUCT CHARACTERISTICS



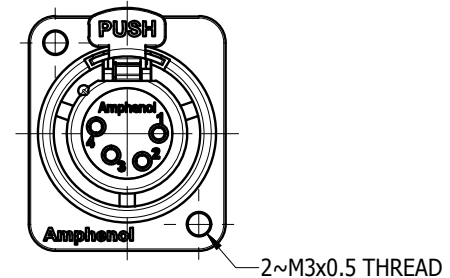
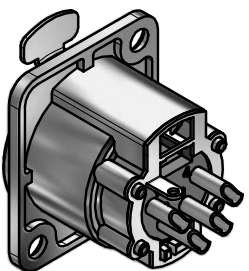
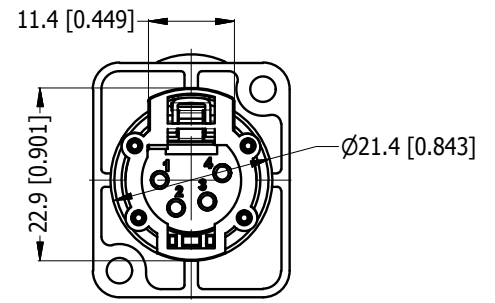
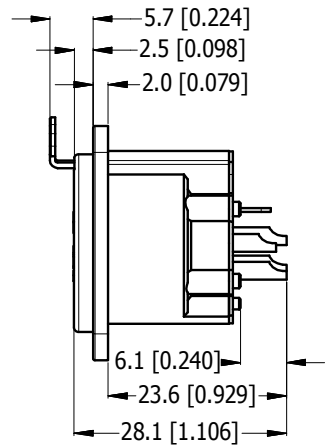
REVISION HISTORY				
REV	DESCRIPTION	DATE	BY	ECN
1	FIRST ISSUE	01/02/19	MH	----



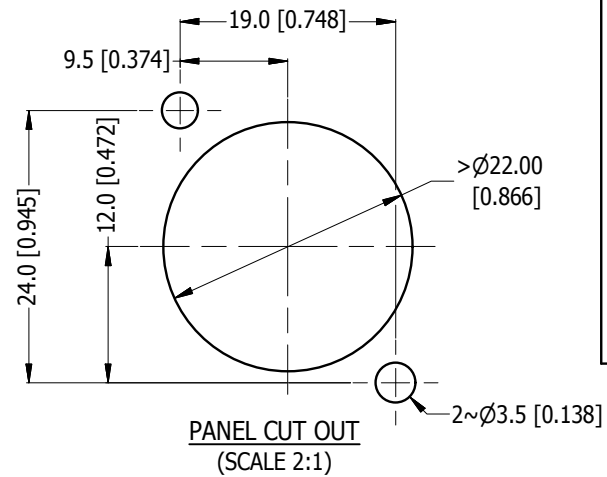
3D VIEW



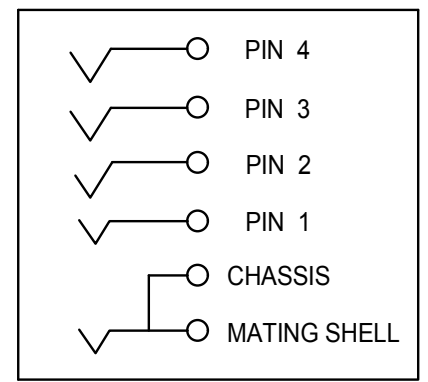
THROUGH HOLE



M3 THREAD OPTION



PANEL CUT OUT (SCALE 2:1)



SCHEMATIC CHART

PART NUMBER	SHELL FINISH	PIN CONTACT FINIS
AX4FD	NICKEL PLATED	TIN PLATED
AX4FDB	MATT BLACK COATING	TIN PLATED
AX4FD-M3	M3 THREAD - NICKEL PLATED	TIN PLATED
AX4FDB-M3	M3 THREAD - MATT BLACK COATING	TIN PLATED
AX4FD-AU	NICKEL PLATED	GOLD PLATED
AX4FDB-AU	MATT BLACK COATING	GOLD PLATED
AX4FD-AU-M3	M3 THREAD - NICKEL PLATED	GOLD PLATED
AX4FDB-AU-M3	M3 THREAD - MATT BLACK COATING	GOLD PLATED

UNLESS OTHERWISE SPECIFIED TOLERANCE TO BE	
LINEAR	ANGULAR
X ± 0.5	X' ± 1
X.X ± 0.2	X.X' ± 30'
X.XX ± 0.1	X.XX" ± 15'

BREAK ALL SHARP EDGES AND REMOVE ALL BURRS

DO NOT SCALE

THIS DOCUMENT IS THE PROPERTY OF AMPHENOL AUSTRALIA PTY. LTD. NO PART THEREOF MAY BE REPRODUCED AND USED WITHOUT THE PRIOR WRITTEN CONSENT OF THE OWNER

MATERIAL: SEE COMPONENT	DRN: M.H	DATE: 01/04/14
FINISH: SEE COMPONENT	CKD: M.H	DATE: 01/02/19
	APP'D: P.M	DATE: 01/02/19
DIMENSIONS IN MILLIMETRES	SCALE: 1:1	SIZE: A4

Amphenol Amphenol Australia Pty.Ltd, 22 Industry Boulevard, Carrum Downs, VIC 3201

TITLE: **AX4FD D-TYPE AX PANEL MOUNT CUSTOMER DWG**

PART No. **SEE TABLE**

DRAWING No. **550110003-100-2** SHEET **2/2**

CAD FILE 550110003100111