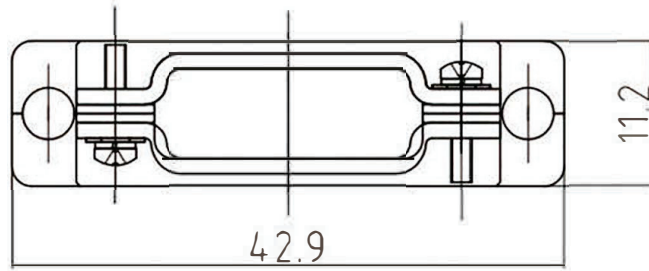
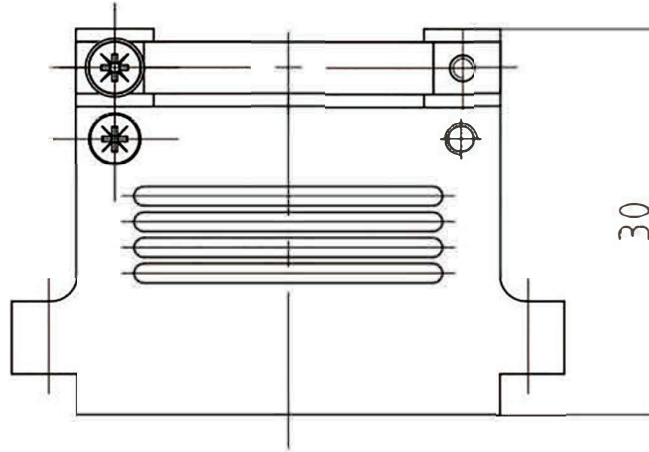


	Product name	Micro Rectangular Connectors	Doc No.	
	PN	J30J	Version	A

2.3 J30JI-66A3 Overall dimension



DESCRIPTION	ASSEMBLED VIEW	KIT ELEMENTS
SLOTTED HEADED SCREW		SCREWS - 2Nos. U CLIPS - 2Nos.