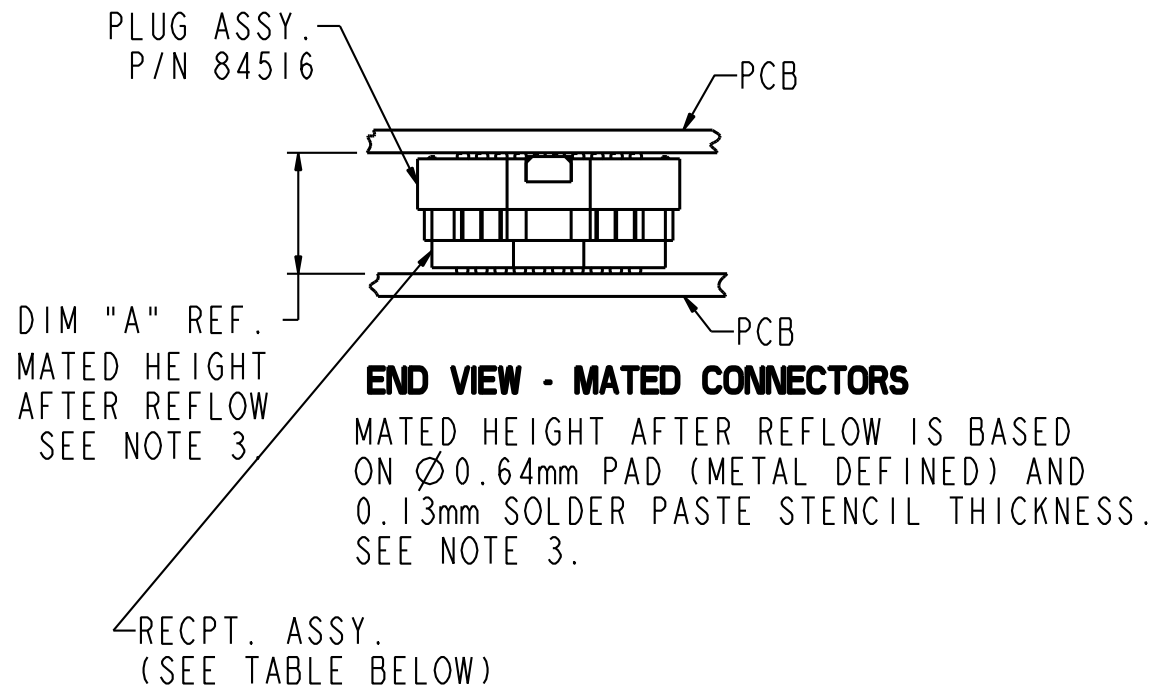


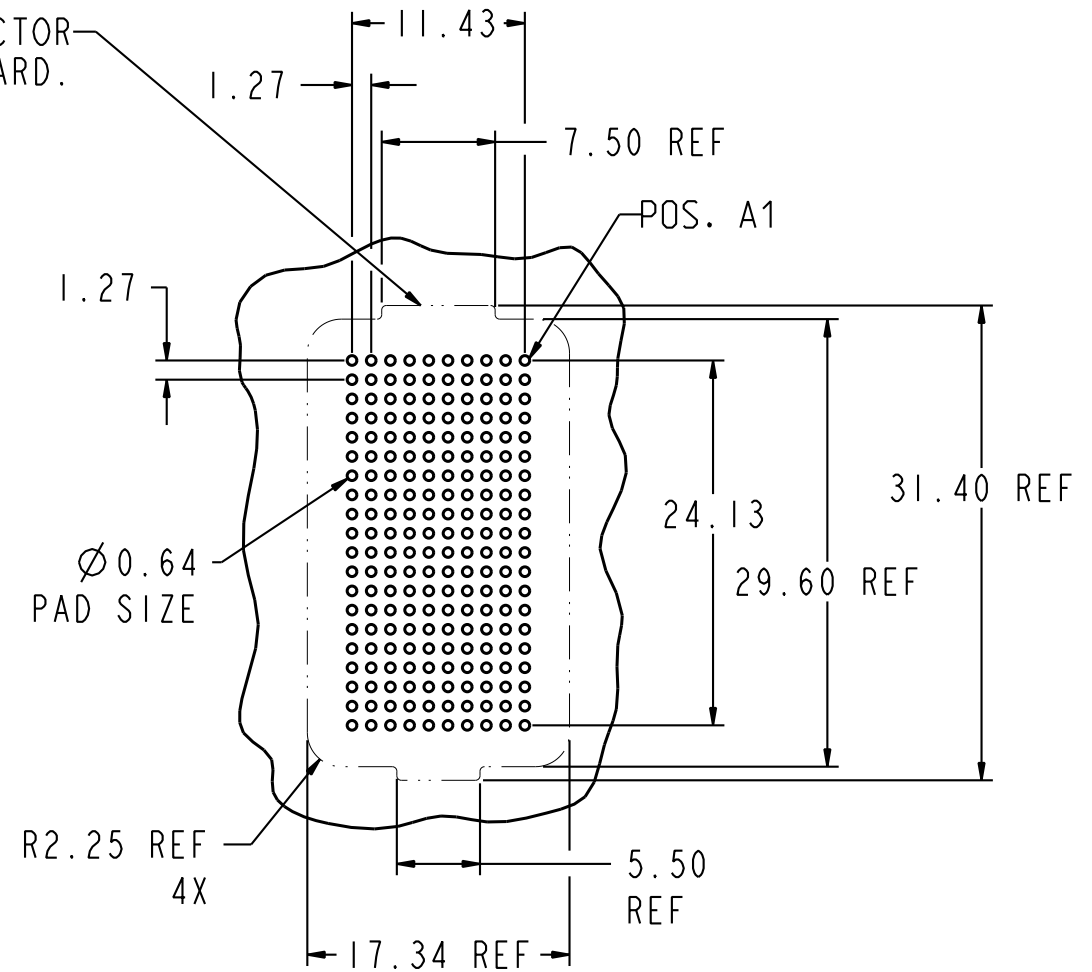
spec ref	-	dr	wcadmin, wcadm	2001/11/17	projection	mm	size	A3	scale	4:1											
tolerance std	ASME Y14.5	eng	Robert Brown	2019/01/08			ecn no	ELX-V-32329-1													
		chr	-	-			rel level	Released													
surface		appr	Joshua Garman	2019/01/09	product family	MEG-ARRAY		rel level	Released												
ASME Y14.5	<table border="1"> <tr> <td>linear</td> <td>0.X</td> <td>±0.3</td> </tr> <tr> <td></td> <td>0.XX</td> <td>±0.10</td> </tr> <tr> <td></td> <td>0.XXX</td> <td>±0.050</td> </tr> <tr> <td>angular</td> <td>0°</td> <td>±2°</td> </tr> </table>	linear	0.X	±0.3		0.XX	±0.10		0.XXX	±0.050	angular	0°	±2°	<b>Amphenol FCI</b> title 0mm PLUG ASSEMBLY 10 x 20 = 200 POSITIONS www.fci.com	cat. no.	product family MEG-ARRAY	size A3	scale 4:1	rel level Released	dwg no 84516	rev J
linear	0.X	±0.3																			
	0.XX	±0.10																			
	0.XXX	±0.050																			
angular	0°	±2°																			
Product - Customer Drw						sheet 1 of 5															

PRODUCT NUMBER

SEE TABLE



STENCIL MATED CONNECTOR  
OUTLINE ONTO BOARD.



**BOARD PATTERN**

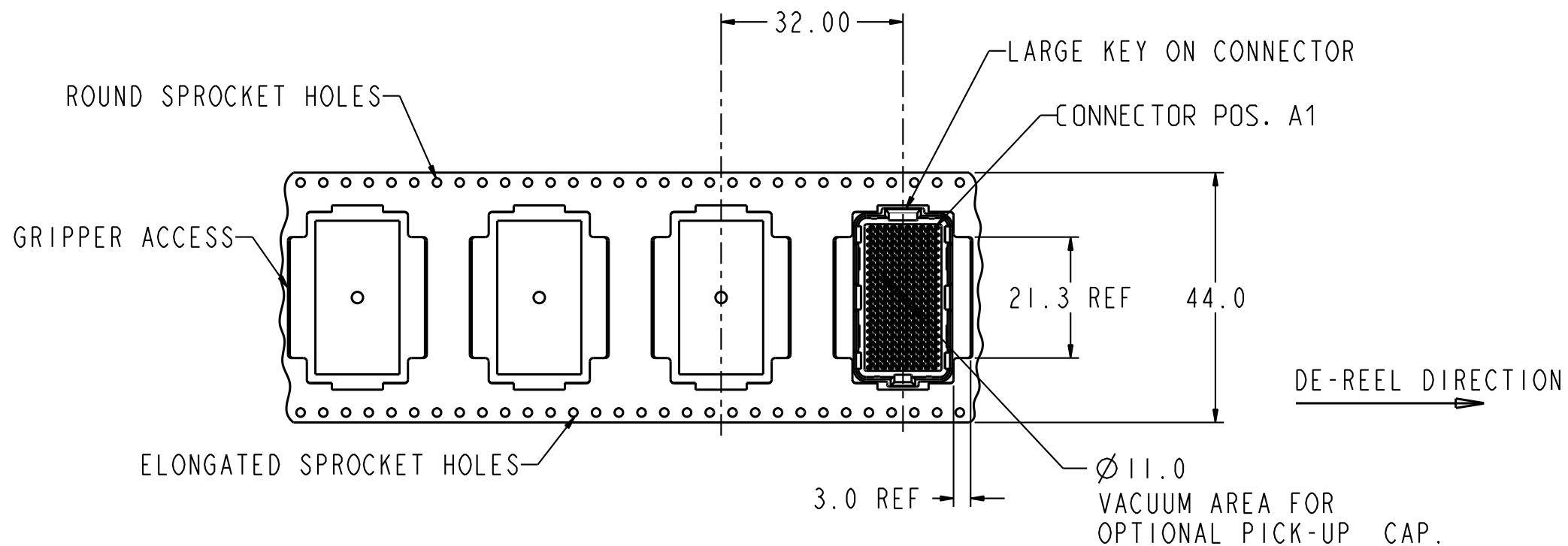
MATED HEIGHT TABLE

DIM "A"	RECPT. ASSY. P/N	-2XX PLATING
4.0	84517	SEE NOTE 4
6.0	55724	SEE NOTE 5
8.0	84535	SEE NOTE 5

spec ref	-	dr	wcadmin, wcadm	2001/11/17	projection	mm	size	A3	scale	10:1
tolerance std	ASME Y14.5	eng	Robert Brown	2019/01/08			ecn no	ELX-V-32329-1		
		chr	-	-			rel level	Released		
surface		appr	Joshua Garman	2019/01/09	product family	MEG-ARRAY		rel level	Released	
ASME Y14.5		linear	0.X	±0.3	<b>Amphenol FCI</b> www.fci.com	0mm PLUG ASSEMBLY		dwg no 84516	rev J	
		0.XX	±0.10	10 x 20 = 200 POSITIONS						
	angular	0°	±2°	cat. no.		Product - Customer Drw		sheet 2 of 5		

PRODUCT NUMBER

SEE TABLE

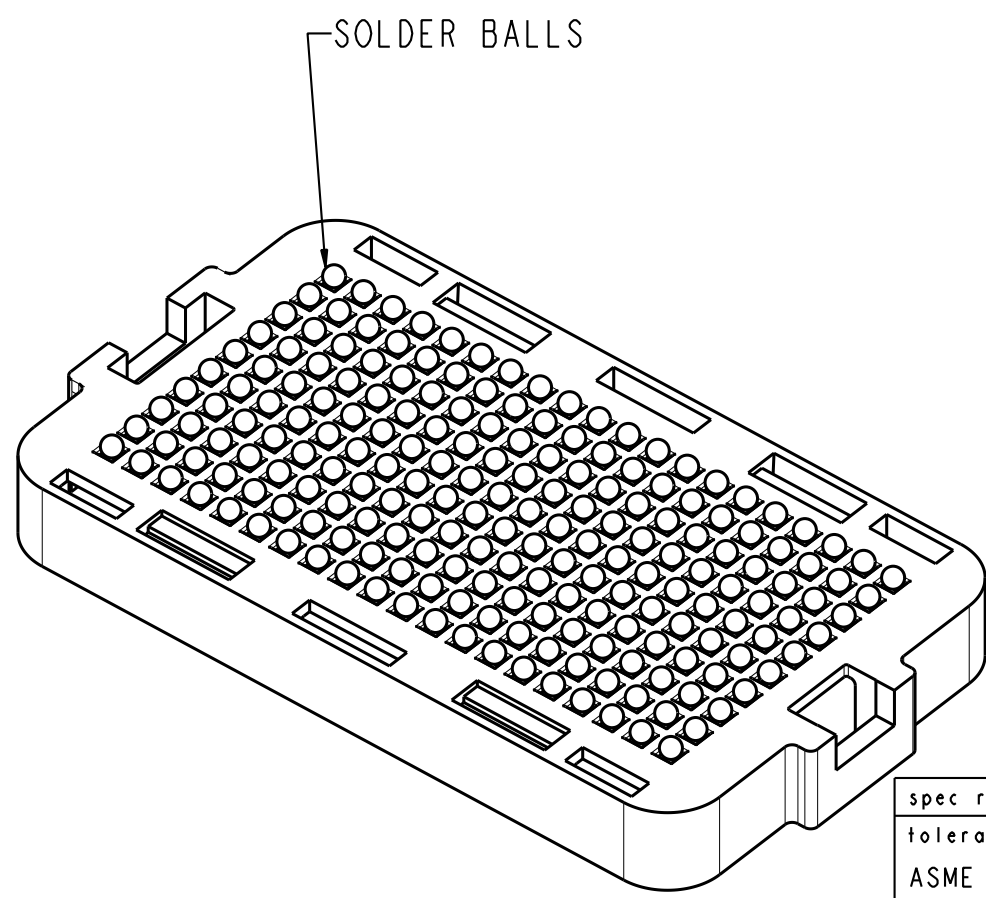


### TAPE & REEL PACKAGING

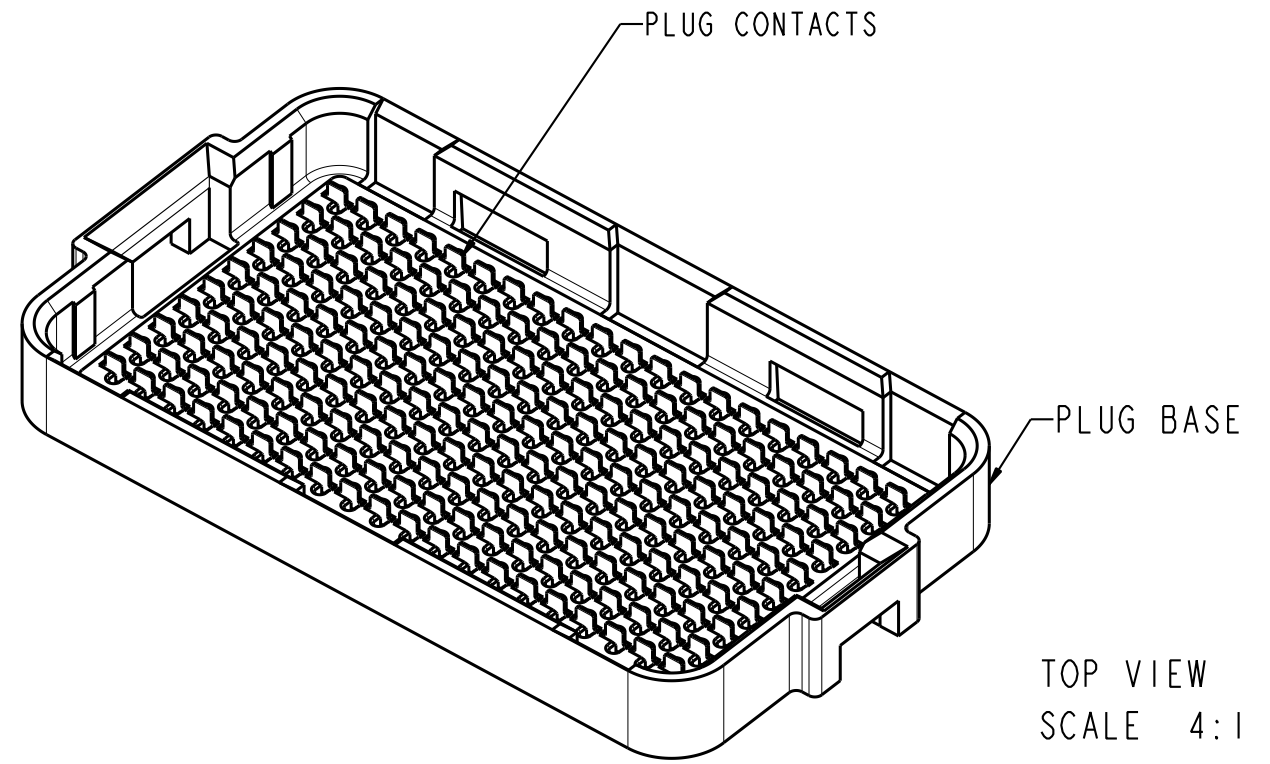
PER EIA 481-3

spec ref	-			dr	wcadmin, wcadm	2001/11/17	projection	mm	size	A3	scale	1:1
tolerance std	ASME Y14.5			eng	Robert Brown	2019/01/08			ecn no		ELX-V-32329-1	
TOLERANCES UNLESS OTHERWISE SPECIFIED			chr	-	-	product family			MEG-ARRAY	rel level		Released
surface		linear	0.X ±0.3	<b>Amphenol FCI</b> <a href="http://www.fci.com">www.fci.com</a>	title			0mm PLUG ASSEMBLY 10 x 20 = 200 POSITIONS	dwg no 84516	rev		J
ASME Y14.5		angular	0° ±2°		cat. no.	Product - Customer Drw				sheet 3 of 5		

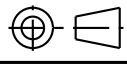

PRODUCT NUMBER	PICK-UP CAP (NATURAL OR BLACK COLOR)	CONTACT PLATING AND THICKNESS	SOLDER BALL 	NOTES 
84516-002	YES	15μ" / (.38μm) Au	SnPb	
84516-002LF	YES	15μ" / (.38μm) Au	LEAD FREE	7
84516-092	YES	15μ" / (.38μm) GXT	SnPb	
84516-092LF	YES	15μ" / (.38μm) GXT	LEAD FREE	7
84516-102	YES	30μ" / (.76μm) Au	SnPb	
84516-102LF	YES	30μ" / (.76μm) Au	LEAD FREE	7
84516-192	YES	30μ" / (.76μm) GXT	SnPb	7
84516-192LF	YES	30μ" / (.76μm) GXT	LEAD FREE	7
84516-202	YES	50μ" / (1.27μm) Au SPECIAL	SnPb	
84516-202LF	YES	50μ" / (1.27μm) Au SPECIAL	LEAD FREE	4, 5, 7
84516-292	YES	50μ" / (1.27μm) GXT SPECIAL	SnPb	
84516-292LF	YES	50μ" / (1.27μm) GXT SPECIAL	LEAD FREE	7
84516-A02	YES	30μ" / (.76μm) SPECIAL	SnPb	8
84516-A02LF	YES	30μ" / (.76μm) SPECIAL	LEAD FREE	7 AND 8



BOTTOM VIEW  
SCALE 4:1



TOP VIEW  
SCALE 4:1

spec ref	-	dr	wcadmin, wcadm	2001/11/17	projection		mm	size	A3	scale	1:1
tolerance std	ASME Y14.5	eng	Robert Brown	2019/01/08	chr	-		ecn no	ELX-V-32329-1	rel level	Released
surface		appr	Joshua Garman	2019/01/09	product family	MEG-ARRAY		rel level	Released		
		linear	0.X	±0.3	Amphenol FCI	0mm PLUG ASSEMBLY		dwg no	84516	rev	J
			0.XX	±0.10	www.fci.com	10 x 20 = 200 POSITIONS					
		angular	0°	±2°	cat. no.	Product - Customer Drw				sheet 4 of 5	

PRODUCT NUMBER

SEE TABLE

NOTES:

1. MATERIAL:  
HOUSING: LCP  
CONTACT: COPPER ALLOY

PLATING CONTACT: SEE TABLE ON SHEET 4  
SOLDER BALL: SEE TABLE ON SHEET 4  
EUTECTIC SnPb OR LEAD FREE  
95.5Sn/4Ag/0.5Cu

2. SOLDER BALLS WILL NOT BE PERFECT  
SPHERICAL SHAPE DUE TO REFLOW  
ATTACHMENT.

3. MATED HEIGHT EFFECTED BY CUSTOMER'S  
PCB PAD SIZE, PLATING, SOLDER REFLOW  
PROFILE & SOLDER PASTE.

4. PLATING FOR INDICATED -2XX SERIES PRODUCT NUMBERS  
MEET THE REQUIREMENTS OF  
GR-1217-CORE, CENTRAL OFFICE ENVIRONMENT,  
(25 YEAR LIFE EXPECTANCY).

5. PLATING FOR INDICATED -2XX SERIES PART NOS.  
IS Au OVER Ni WITH SPECIAL CONTACT  
GEOMETRY TO MEET REQUIREMENTS OF  
TELCORDIA GR-1217-CORE: CENTRAL OFFICE ENVIRONMENT.

6. FOR PROPER APPLICATION FOLLOW FCI APPLICATION SPECIFICATION  
GS-20-033. LEAD FREE SOLDER BALLS WILL NOT SOLDER PROPERLY  
IN A LEADED SOLDER PROSESS DUE TO A HIGHER REFLOW TEMPERATURE  
LEAD FREE PRODUCT IS THEREFORE NOT BACKWARDS COMPATIBLE WITH  
LEADED OR SOME SOLDERING APPLICATIONS. REFERENCE FCI  
APPLICATION SPECIFICATION.

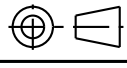


7. THIS PRODUCT MEETS EUROPEAN UNION DIRECTIVE AND OTHER  
COUNTRY REGULATIONS AS DESCRIBED IN GS-47-0004. PRODUCT  
MEETING THIS DIRECTIVE IS IDENTIFIED IN THE LOT CODE  
NUMBER MARKED ON EACH PART BY HAVING AN "X" IN THE SEVENTH  
CHARACTER POSITION.

8. 84516-A02 AND -A02LF PLATING IS CUSTOMER SPECIAL.

9.  A  SYMBOL WILL BE NEXT TO ANY DIMENSION, NEW VIEW, OR NOTE  
WHICH HAS BEEN MODIFIED WITH THE CURRENT DRAWING REVISION.

Amphenol  
FCi

© 2016 AFCI

spec ref	-			dr	wcadmin, wcadm	2001/11/17	projection	mm	size	A3	scale	2:1
tolerance std	ASME Y14.5			eng	Robert Brown	2019/01/08			ec n no		ELX-V-32329-1	
	TOLERANCES UNLESS OTHERWISE SPECIFIED			chr	-	-			rel level		Released	
surface		linear	0.X	±0.3	Amphenol FCi	0mm PLUG ASSEMBLY	product family	MEG-ARRAY	dwg no	84516	rev	J
			0.XX	±0.10								
		0.XXX	±0.050									
ASME Y14.5		angular	0°	±2°	www.fci.com	cat. no.	Product - Customer Drw		sheet 5 of 5			