

## TECHNICAL INFORMATION



### Mechanical:

- Tri Start Thread coupling mechanism (MIL-DTL-38999 series III type) with anti-decoupling device - Shell size 19.
- RJ45 cordset retention in the plug: 80N Max in the axis.
- RJ45 female retention in the receptacle: 40N Max in the axis.
- Minimum of 500 mating cycles.
- Vibrations: 10-500Hz, 10g, 3 axes: no discontinuity >10 nano s.
- Shocks: IK06 ► weight of 250 g drop from 40cm [15.75 in] onto connectors (mated pair).

### Environmental:

- Temperature range: -40°C / +85°C.
- Fire retardant / Low smoke: UL94 V0.
- Humidity: 21 days, 43°C, 98% humidity .
- Sealed to IP 68 for fluid and dust laden environments.

### Data transmission:

- 10 Base-T, 100 Base-T, and 1G Base-T Ethernet.
- High performance connectivity, up to 100 MHz.

### RJ45 connector details:

- **Contacts** : Phosphor Bronze, Gold over Nickel.
- **Shielding** : Nickel-plated brass.
- **Body** : PBT UL 94V-0.
- **PCB** : FR4, UL 94V-0 (PCB termination only).
- **Voltage** : 125 VAC RMS.
- **Current Rating** : 1.5 amp.
- **Insulation resistance** : 500MΩ Min @500V DC
- **Dielectric strength** : 1000 VAC RHM 60Hz, 1min
- **Impedance** : 100±15 Ohm

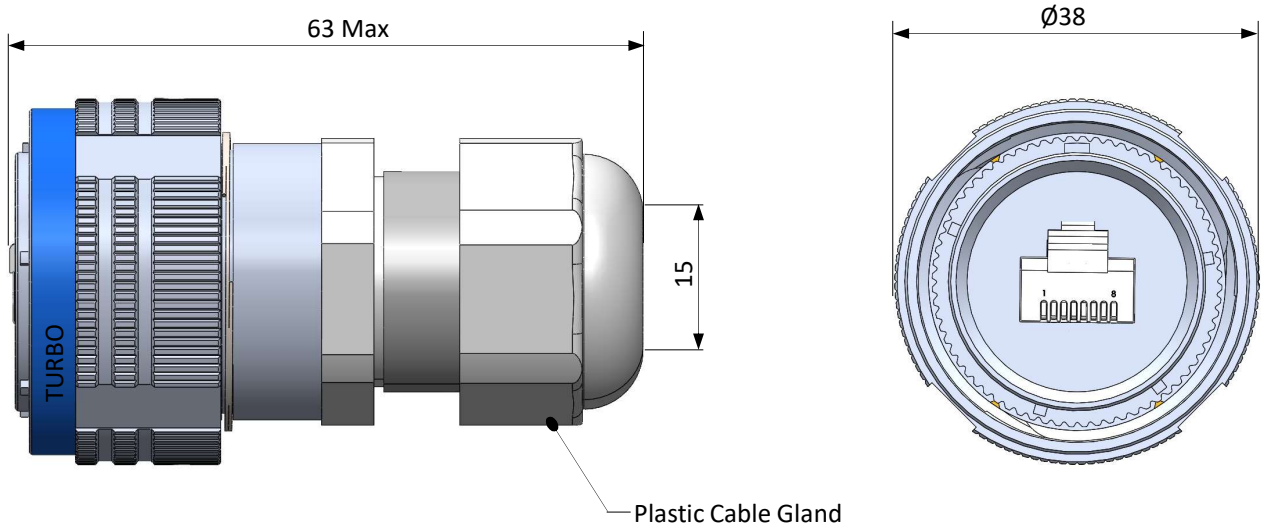
Turbo

ООО «Теллур Электроникс» г.Москва, ул.Бутлерова, д.17 Тел.: +7(495)120-50-91

<https://tellur-el.ru/>

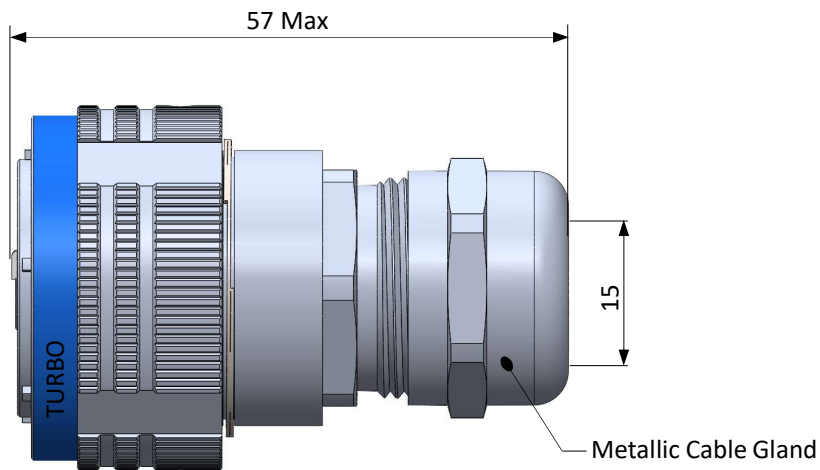
## PLUG WITH PLASTIC GLAND

Part Number: [TBRJ-T-P-X](#)



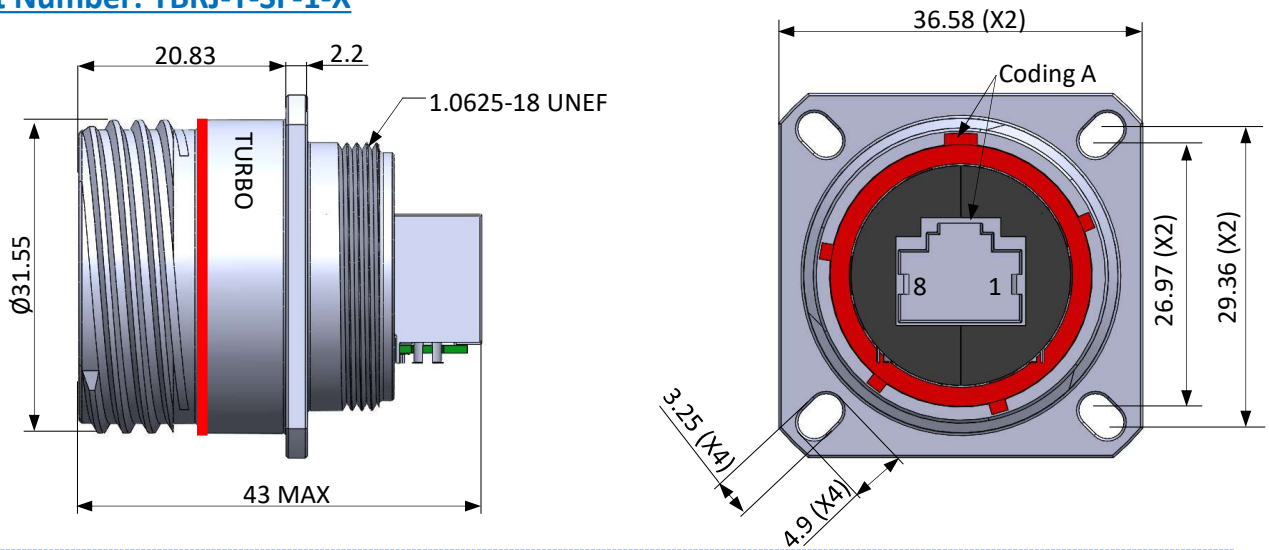
## PLUG WITH METALLIC GLAND

Part Number: [TBRJ-T-PM-X](#)

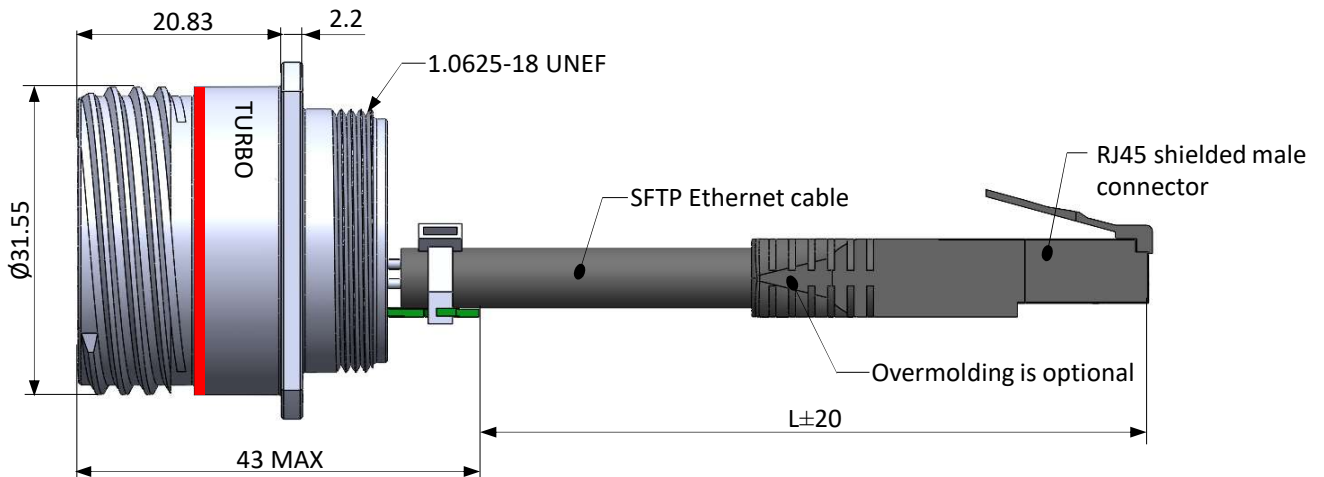


## SQUARE FLANGE RECEPTACLE

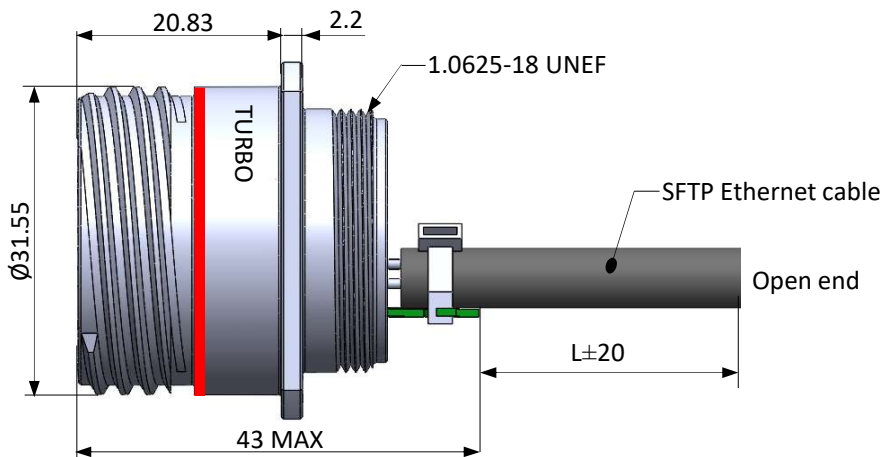
### Part Number: TBRJ-T-SF-1-X



### Part Number: TBRJ-T-SF-2-L-X

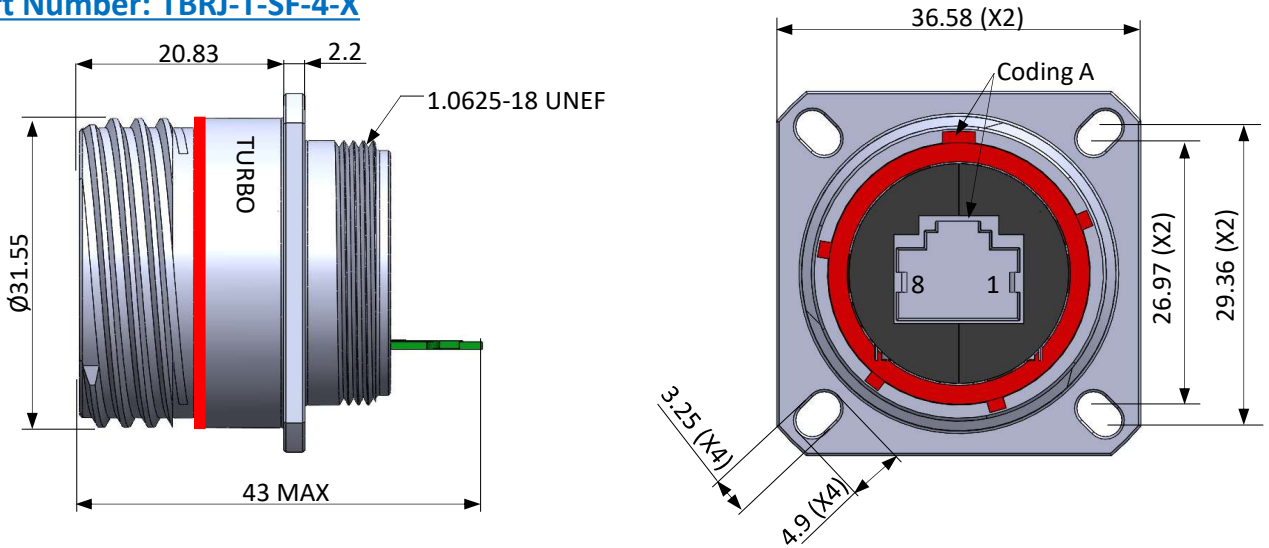


### Part Number: TBRJ-T-SF-3-L-X-OPEN

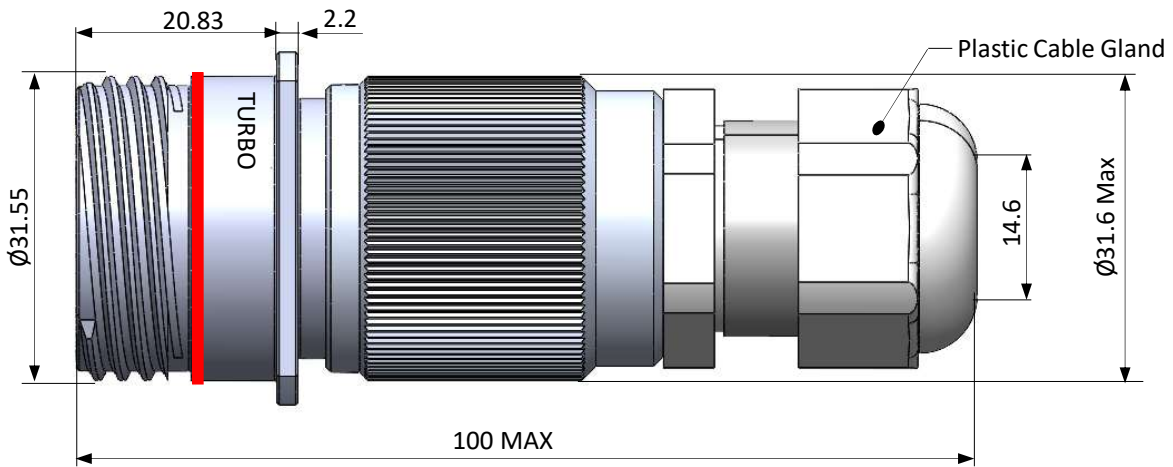


## SQUARE FLANGE RECEPTACLE

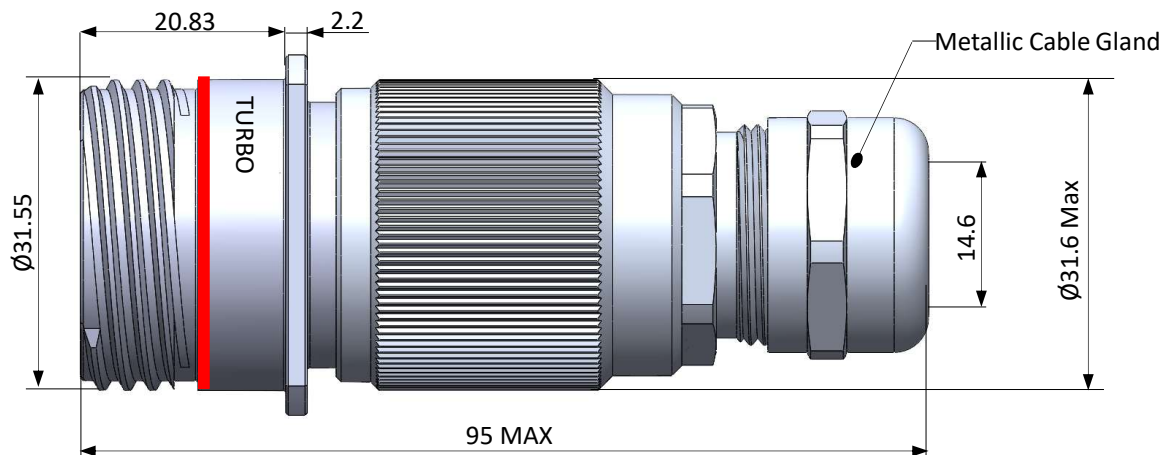
### Part Number: TBRJ-T-SF-4-X



### Part Number: TBRJ-T-SF-BK-1-X

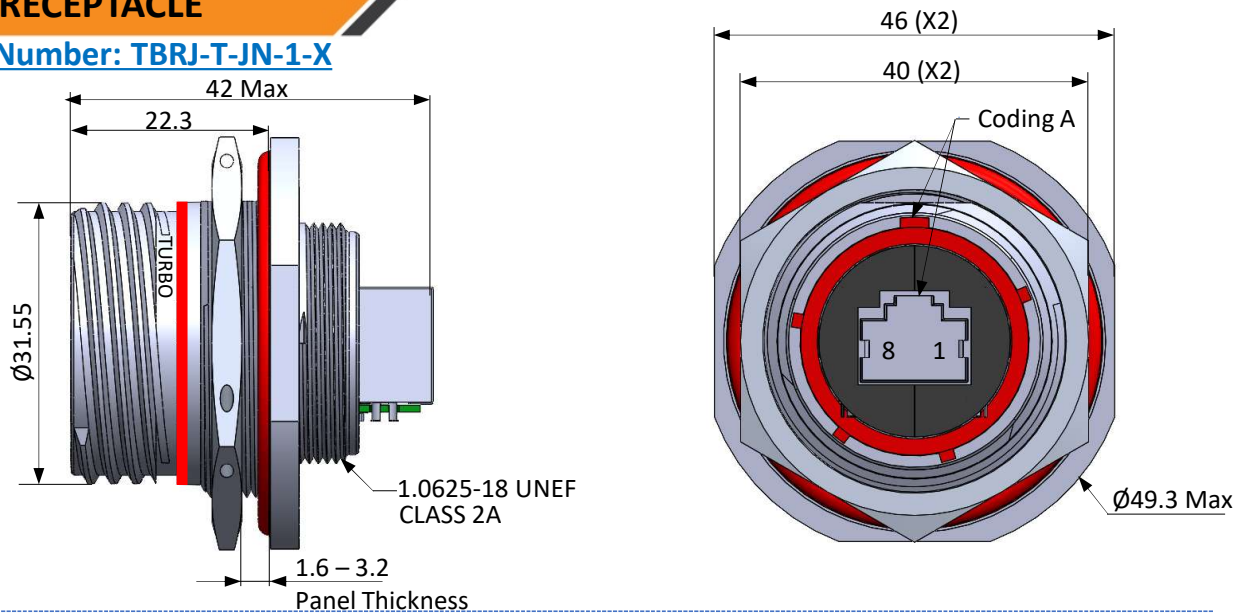


### Part Number: TBRJ-T-SF-BKM-1-X

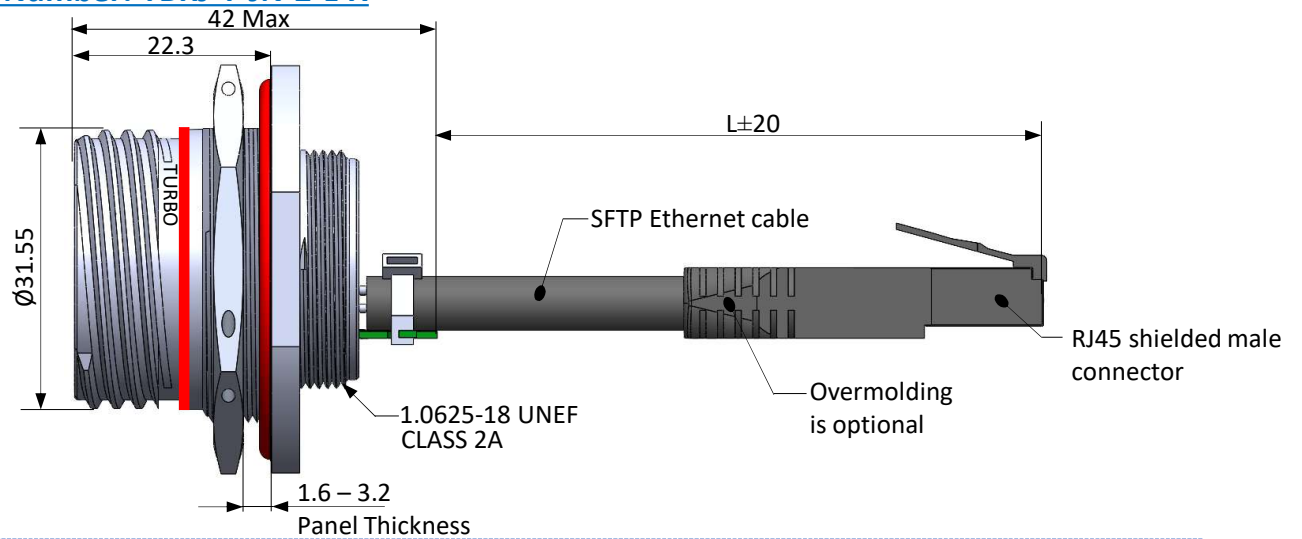


## JAMNUT RECEPTACLE

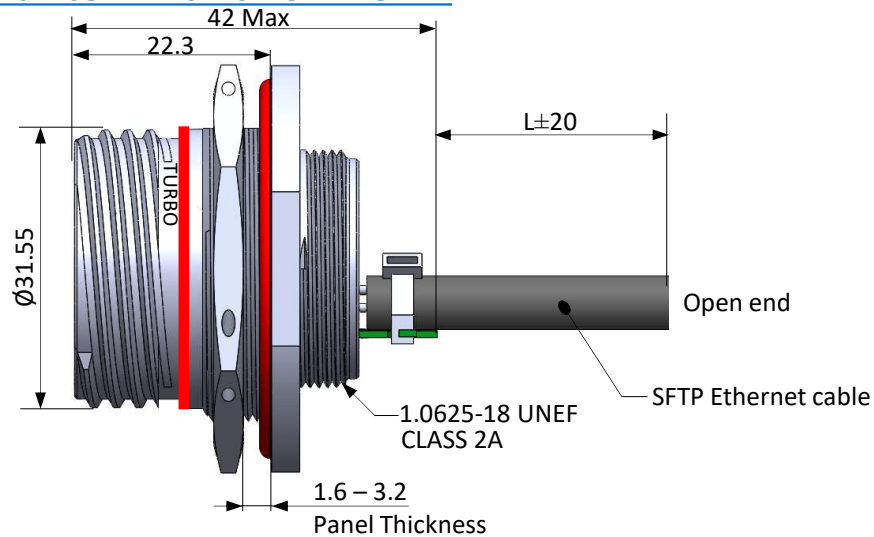
### Part Number: TBRJ-T-JN-1-X



### Part Number: TBRJ-T-JN-2-L-X

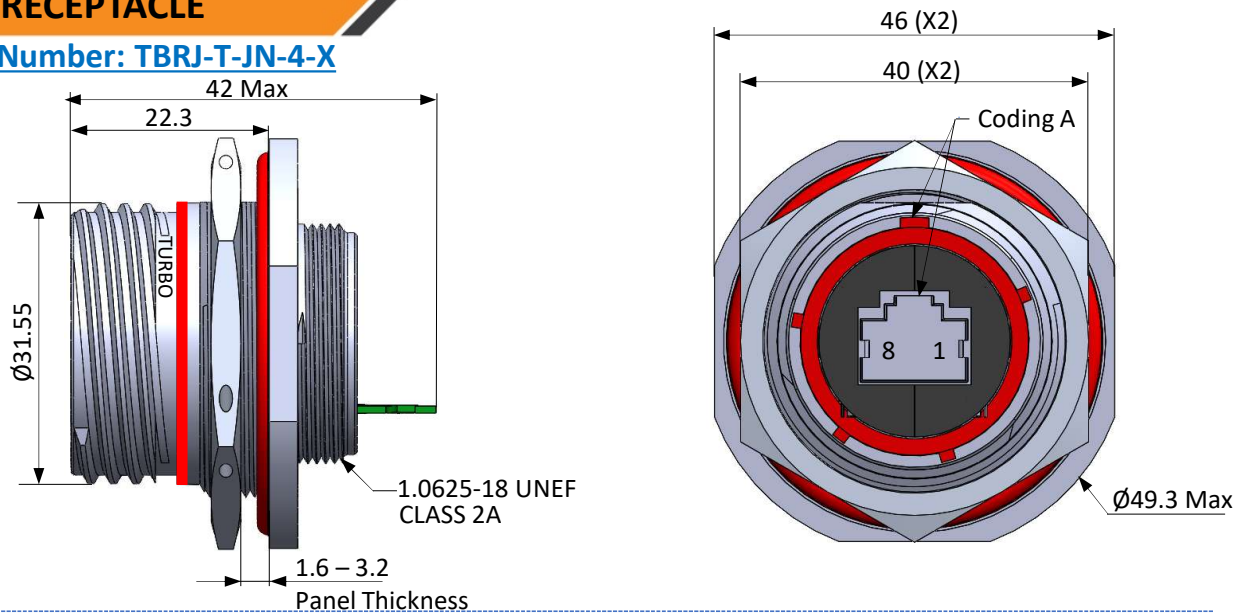


### Part Number: TBRJ-T-JN-3-L-X-OPEN

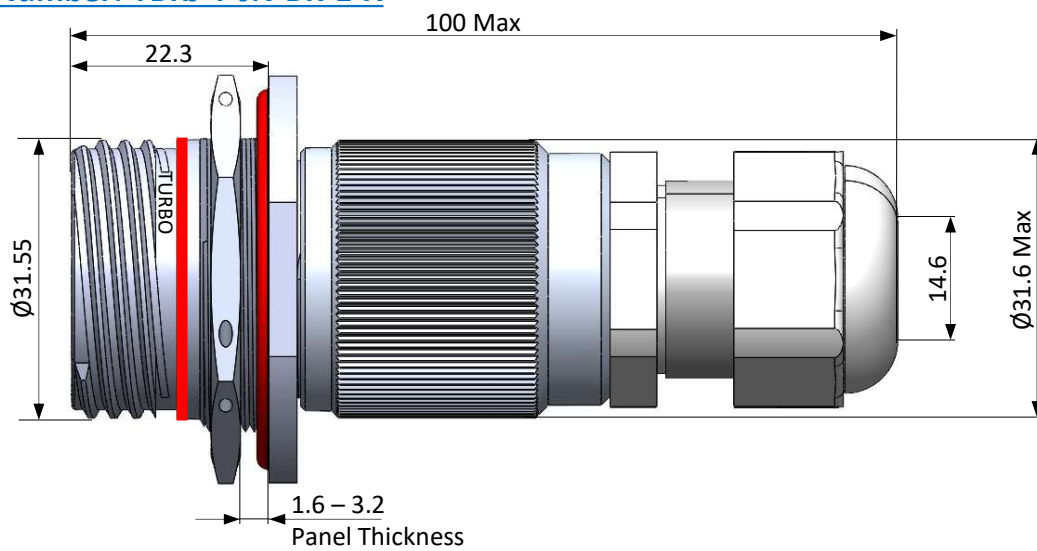


## JAMNUT RECEPTACLE

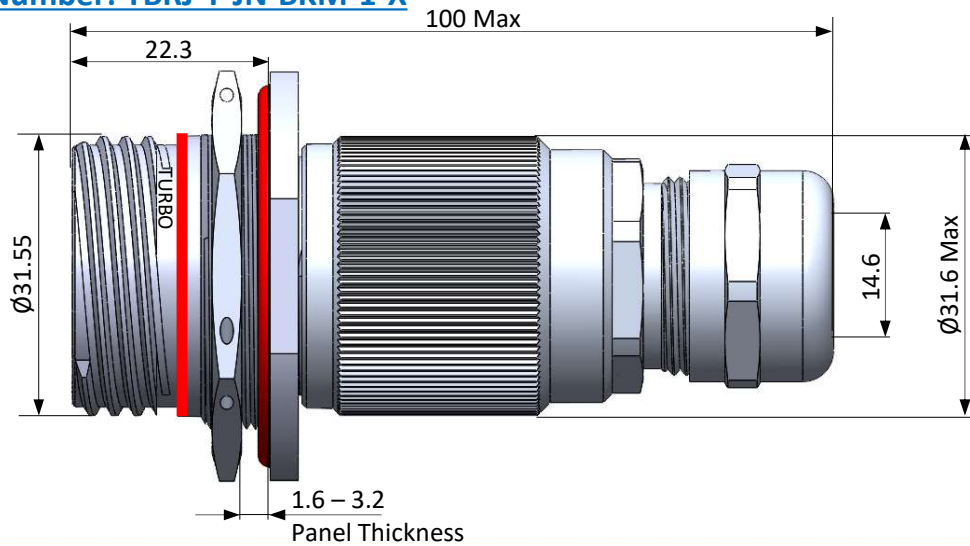
### Part Number: TBRJ-T-JN-4-X



### Part Number: TBRJ-T-JN-BK-1-X

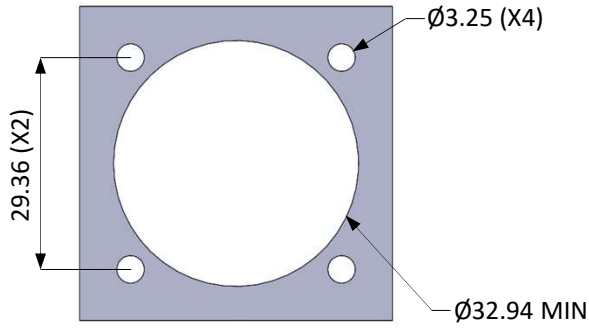


### Part Number: TBRJ-T-JN-BKM-1-X

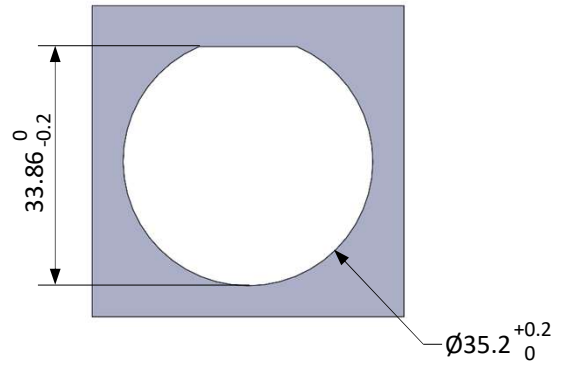


## PANEL DRILLING

### Square Flange Receptacle



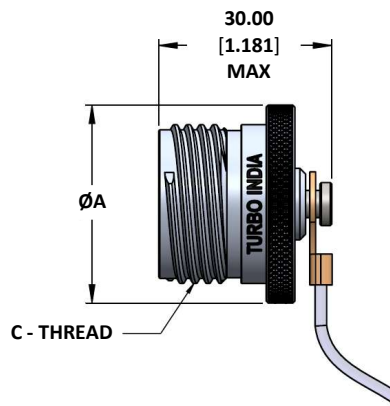
### JamNut Receptacle



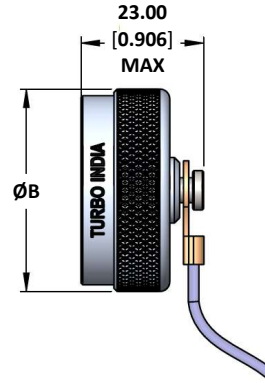
## INSERT ORIENTATIONS

| Coding Identification | Receptacle | Plug      |
|-----------------------|------------|-----------|
| A                     | Major key  | Major key |
| B                     |            |           |
| C                     |            |           |
| D                     |            |           |

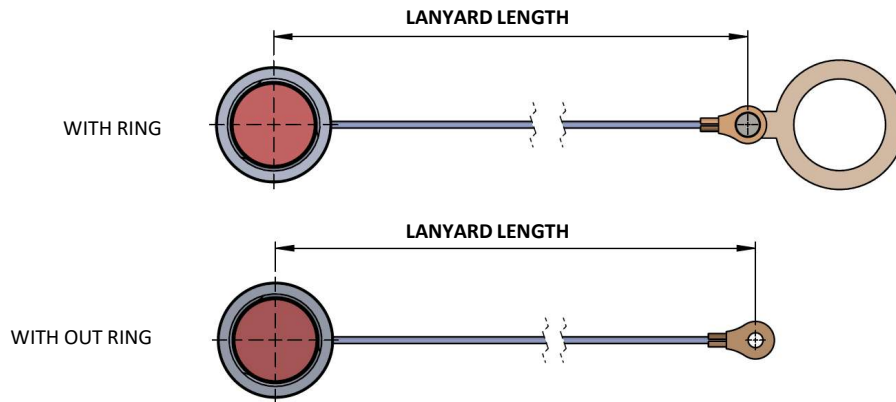
## PROTECTIVE COVER



TBRJ32 - PLUG COVER

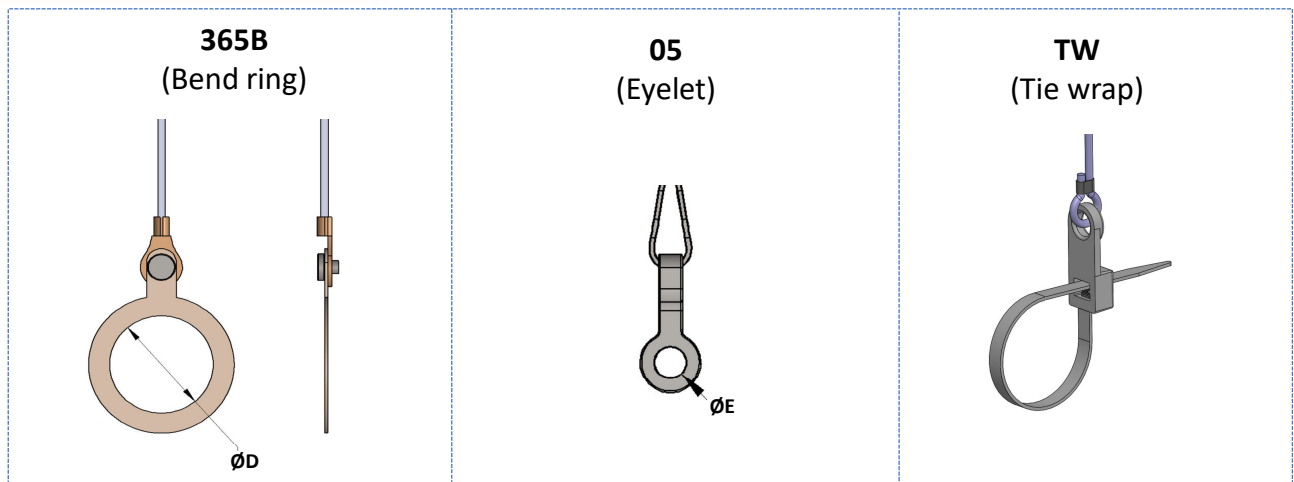


TBRJ33 - RECEPTACLE COVER



| Dimensions |        |                     |        |        |
|------------|--------|---------------------|--------|--------|
| ØA Max     | ØB Max | C-THREAD            | ØD MIN | ØE MIN |
| 40.00      | 39.00  | 1.2500-0.1P-0.3L-TS | 36.50  | 4.25   |

## ATTACHMENT OPTIONS





## LANYARD OPTIONS



→ Stainless steel sash chain

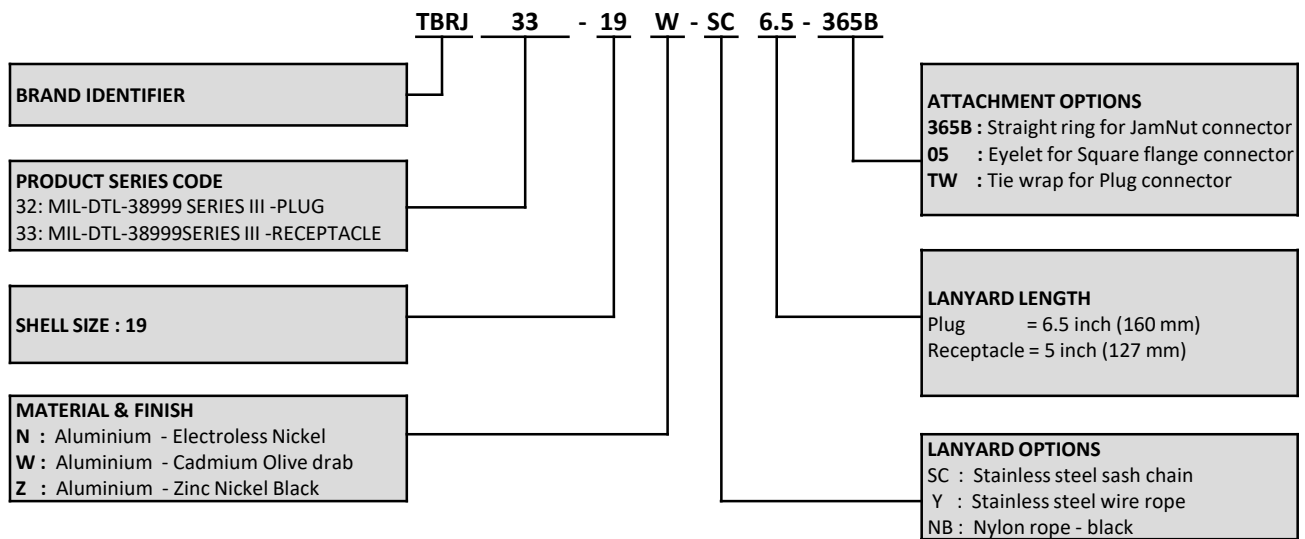


→ Stainless steel wire rope, Teflon jacket



→ Nylon rope - black

## ORDERING INFORMATION



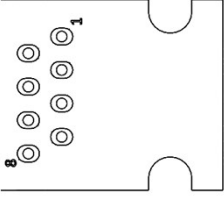

### Ex:

TBRJ32-19-N-NB-6.5-TW → Plug cap with nylon rope with Tie wrap.

TBRJ33-19-N-NB-5-365B → JamNut receptacle cap with nylon rope with bend ring.

## WIRING DIAGRAM

Cat.5e per TIA/EIA 568B and ClassD per ISO/IEC 11801

| PCB Pin Number  | T568B Pair | RJ45 Male Pin Number | T568B Pair Color | RJ45 Male   |
|---|------------|----------------------|------------------|---|
|  | 1          | 1                    | White/Orange     |  |
|   | 2          | 2                    | Orange           |   |
|   | 3          | 3                    | White/Green      |   |
|   | 4          | 4                    | Blue             |   |
|   | 5          | 1                    | White/Blue       |   |
|   | 6          | 3                    | Green            |   |
|   | 7          | 4                    | White/Brown      |   |
|   | 8          | 4                    | Brown            |   |

## MATERIAL AND FINISH

| Turbo Code | Material  | Finish             | Appearance       | Process  | RoHS Compliant | Salt Spray Hours |
|------------|-----------|--------------------|------------------|--|----------------|------------------|
| N          | ALUMINIUM | ELECTROLESS NICKEL | BRIGHT METAL     | AMS-C-26074 Class 4 Grade A; ASTM-B-733, SC 2, Type IV, Conductive -65 to +200°C | YES            | 96               |
| W          | ALUMINIUM | CADMIUM            | OLIVE DRAB GREEN | AMS-QQ-P-416 Type II Class 2 over electroless nickel, Conductive -65 to +175°C   | NO             | 500              |
| Z          | ALUMINIUM | ZINC NICKEL        | BLACK            | ASTM B841 Grade 5 over electroless nickel, Conductive -65 to +175°C              | NO             | 500              |

**ORDERING INFORMATION**

| Series | TBRJ | B | SF | BKM | 1 | L | W | A |
|--------|------|---|----|-----|---|---|---|---|
|--------|------|---|----|-----|---|---|---|---|

Cat5e

**Coupling Type:**

B: Bayonet (26482 series, size 18)

T: Threaded (38999 series, size 19)

**Shell type:****P** : Plug with plastic gland**PM** : Plug with metallic gland**SF** : Square flange receptacle**JN** : JamNut receptacle**Backshell (Only for receptacle):**

- : No backshell

**BKM** : Backshell with metallic gland**BK** : Backshell with plastic gland**Type of PCB (Only for receptacle)****1**: 2 Female RJ45**2**: RJ45 female + RJ45 male cordset**3**: RJ45 female + RJ45 male cordset open)**4**: RJ45 female + open PCB with 8 tinned holes for cable soldering**Length: L (Type of PCB 2 & 3 only)****03** : 0.3 meter**05** : 0.5 meter**10** : 1.0 meter**15** : 1.5 meter**Material / Finish:****N** : Aluminium alloy - Electroless Nickel**W** : Aluminium alloy - Cadmium Olive Drab**Z** : Aluminium alloy - Zinc Nickel Black**Insert Orientations (Only for receptacle):**

A, B, C, D &amp; Omit for supply of RJ45 PCB + Insert separately

Normal polarization considered in shell as per **MIL-DTL-26482 & MIL-DTL-38999** standards.

Please consult the factory for different polarization on shell.