



**RoHS Compliant**  
**TX-1310/RX-1550 nm Single-mode Bi-directional (18dB margin)**  
**SFP LC Simplex Connector, with Diagnostic Monitoring**  
**155 Mbps SONET OC-3/SDH STM-1/125 Mbps Fast**  
**Ethernet/100Base-BX10-U/ITU-T G.985**



**Features**

- Compliant with SONET/SDH standard
- Compliant with Fast Ethernet standard
- Industry standard small form pluggable (SFP) package
- Simplex LC connector
- Differential LVPECL inputs and outputs
- Single power supply 3.3V
- TTL signal detect indicator
- Hot Pluggable
- Class 1 laser product complies with EN 60825-1

**Ordering Information**

PART NUMBER	TX/RX	TEMPERATURE	LD Type	Distance
LS38-A3S-TC-N-D3	1310/1550	0°C to 70°C	1310 FP	20km
LS38-A3S-TI-N-D3	1310/1550	-40°C to 85°C	1310 FP	20km

**Diagnostics**

Parameter	Range	Accuracy	Unit	Calibration
Temperature	-40 to 95	± 3	°C	External
Voltage	3.0 to 3.6	± 0.1	V	
Bias Current	0 to 100	± 5	mA	
TX Power	-17 to -5	± 3 dB	dBm	
RX Power	-31 to -8	± 3 dB	dBm	



**RoHS Compliant**  
**TX-1310/RX-1550 nm Single-mode Bi-directional (18dB margin)**  
**SFP LC Simplex Connector, with Diagnostic Monitoring**  
**155 Mbps SONET OC-3/SDH STM-1/125 Mbps Fast**  
**Ethernet/100Base-BX10-U/ITU-T G.985**

---

**Absolute Maximum Ratings**

PARAMETER	SYMBOL	MIN	MAX	UNITS	NOTE
Storage Temperature	$T_S$	-40	85	°C	
Supply Voltage	$V_{CC}$	-0.5	4.0	V	
Input Voltage	$V_{IN}$	-0.5	$V_{CC}$	V	
Output Current	$I_o$	---	50	mA	
Operating Current	$I_{OP}$	---	400	mA	

**Recommended Operating Conditions**

PARAMETER	SYMBOL	MIN	MAX	UNITS	NOTE
Case Operating Temperature	$T_C$	0	70	°C	LS38-A3S-TC-N-D3
		-40	85	°C	LS38-A3S-TI-N-D3
Supply Voltage	$V_{CC}$	3.1	3.5	V	
Supply Current	$I_{TX} + I_{RX}$	---	200	mA	



**RoHS Compliant**  
**TX-1310/RX-1550 nm Single-mode Bi-directional (18dB margin)**  
**SFP LC Simplex Connector, with Diagnostic Monitoring**  
**155 Mbps SONET OC-3/SDH STM-1/125 Mbps Fast**  
**Ethernet/100Base-BX10-U/ITU-T G.985**

### Transmitter Electro-optical Characteristics

$V_{CC} = 3.1\text{ V to }3.5\text{ V}$ ,  $T_C = 0^\circ\text{C to }70^\circ\text{C}$  ( $-40^\circ\text{C to }85^\circ\text{C}$ )

PARAMETER	SYMBOL	MIN	TYP.	MAX	UNITS	NOTE
Output Optical Power 9/125 $\mu\text{m}$ fiber	$P_{out}$	-14	---	-8	dBm	Average
Extinction Ratio	$ER$	8.2	---	---	dB	
Center Wavelength	$\lambda_C$	1261	1310	1360	nm	
Spectral Width (RMS)	$\Delta\lambda$	---	---	4	nm	
Rise/Fall Time (10–90%)	$T_{r,f}$	---	1	2	ns	
Output Eye	Compliant with Telcordia GR-253-CORE Issue 3 and ITU-T recommendation G-957					
Max. $P_{out}$ TX-DISABLE Asserted	$P_{OFF}$	---	---	-45	dBm	
Differential Input Voltage	$V_{DIFF}$	0.4	---	2.0	V	
Transmit Fault Output-Low	$TX\_FAULT_L$	0.0	---	0.5	V	
Transmit Fault Output-High	$TX\_FAULT_H$	2.4	---	$V_{CC}$	V	
Time to initialize, include reset of TX_FAULT	$t_{init}$	---	---	300	ms	
TX_FAULT from fault to assertion	$t_{fault}$	---	---	100	$\mu\text{s}$	
TX_DISABLE time to start reset	$t_{reset}$	10	---	---	$\mu\text{s}$	



**RoHS Compliant**  
**TX-1310/RX-1550 nm Single-mode Bi-directional (18dB margin)**  
**SFP LC Simplex Connector, with Diagnostic Monitoring**  
**155 Mbps SONET OC-3/SDH STM-1/125 Mbps Fast**  
**Ethernet/100Base-BX10-U/ITU-T G.985**

**Receiver Electro-optical Characteristics**

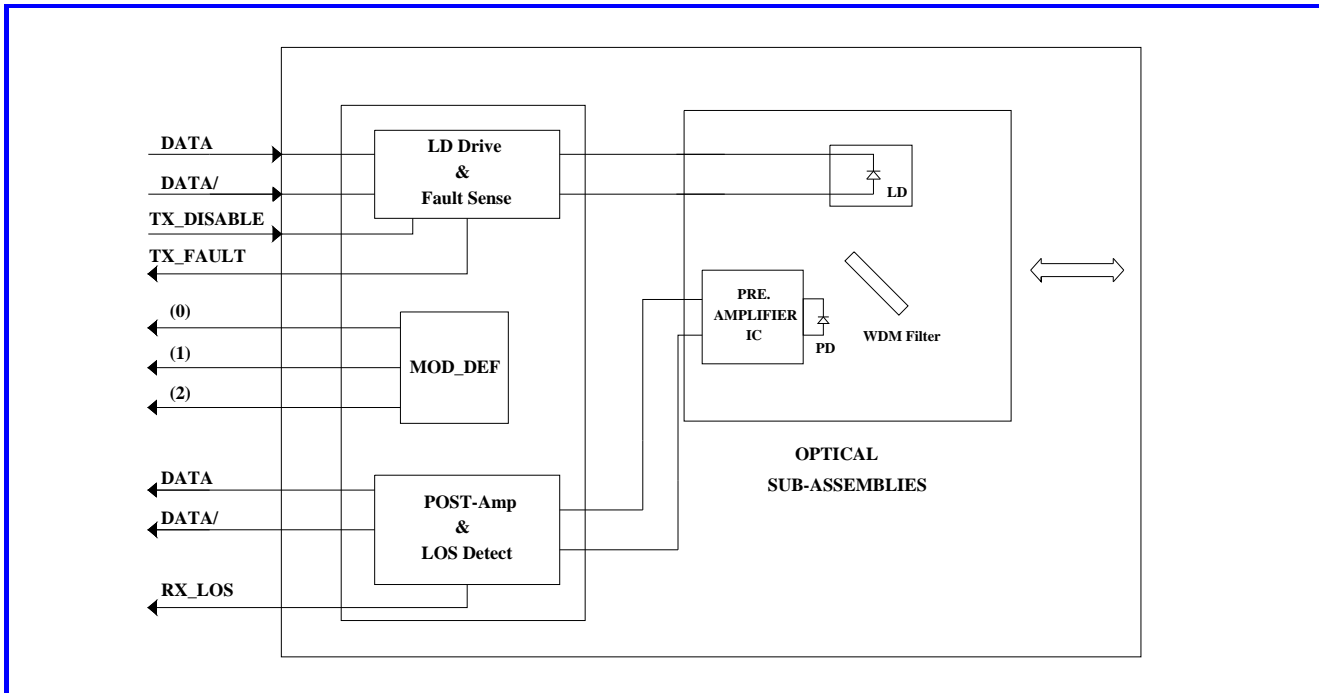
$V_{CC} = 3.1\text{ V to }3.5\text{ V}, T_C = 0^\circ\text{C to }70^\circ\text{C} (-40^\circ\text{C to }85^\circ\text{C})$

PARAMETER	SYMBOL	MIN	TYP.	MAX	UNITS	NOTE
Optical Input Power-maximum	$P_{IN}$	0	---	---	dBm	BER < $10^{-10}$
RX Sensitivity @OC-3	$P_{IN}$	---	---	-32	dBm	PRBS23, BER < $10^{-10}$
RX Sensitivity @125Mbps	$P_{IN}$	---	---	-32	dBm	PRBS7, BER < $10^{-10}$
Operating Center Wavelength	$\lambda_C$	1480	---	1600	nm	
Optical Return Loss	$ORL$	14	---	---	dB	$\lambda=1480\sim1600\text{nm}$
Optical isolation	$ISO$	---	---	-45	dB	$\lambda=1260\sim1360\text{nm}$
Loss of signal-Asserted	$P_A$	---	---	-32	dBm	
Loss of signal-Deasserted	$P_D$	-45	---	---	dBm	
Differential Output Voltage	$V_{DIFF}$	0.5	---	1.2	V	
Receiver Loss of Signal Output Voltage-Low	$RX\_LOS_L$	0	---	0.5	V	
Receiver Loss of Signal Output Voltage-High	$RX\_LOS_H$	2.4	---	$V_{CC}$	V	



RoHS Compliant  
TX-1310/RX-1550 nm Single-mode Bi-directional (18dB margin)  
SFP LC Simplex Connector, with Diagnostic Monitoring  
155 Mbps SONET OC-3/SDH STM-1/125 Mbps Fast  
Ethernet/100Base-BX10-U/ITU-T G.985

### Block Diagram of Transceiver



#### Transmitter and Receiver Optical Sub-assembly Section

A 1310 nm InGaAsP laser and an InGaAs PIN photodiode integrate with an WDM filter to form a bi-directional single fiber optical subassembly (OSA). The laser of OSA is driven by a LD driver IC which converts differential input LVPECL logic signals into an analog laser driving current. And, The photodiode of OSA is connected to a circuit providing post-amplification quantization, and optical signal detection.

#### TX\_FAULT

When sensing an improper power level in the laser driver, the SFP set this signal high and turns off the Laser. TX\_FAULT can be reset with the TX\_DISABLE line. The signal is in TTL level.

#### TX\_DISABLE

The TX\_DISABLE signal is high (TTL logic "1") to turn off the laser output.

#### Receive Loss (RX\_LOS)

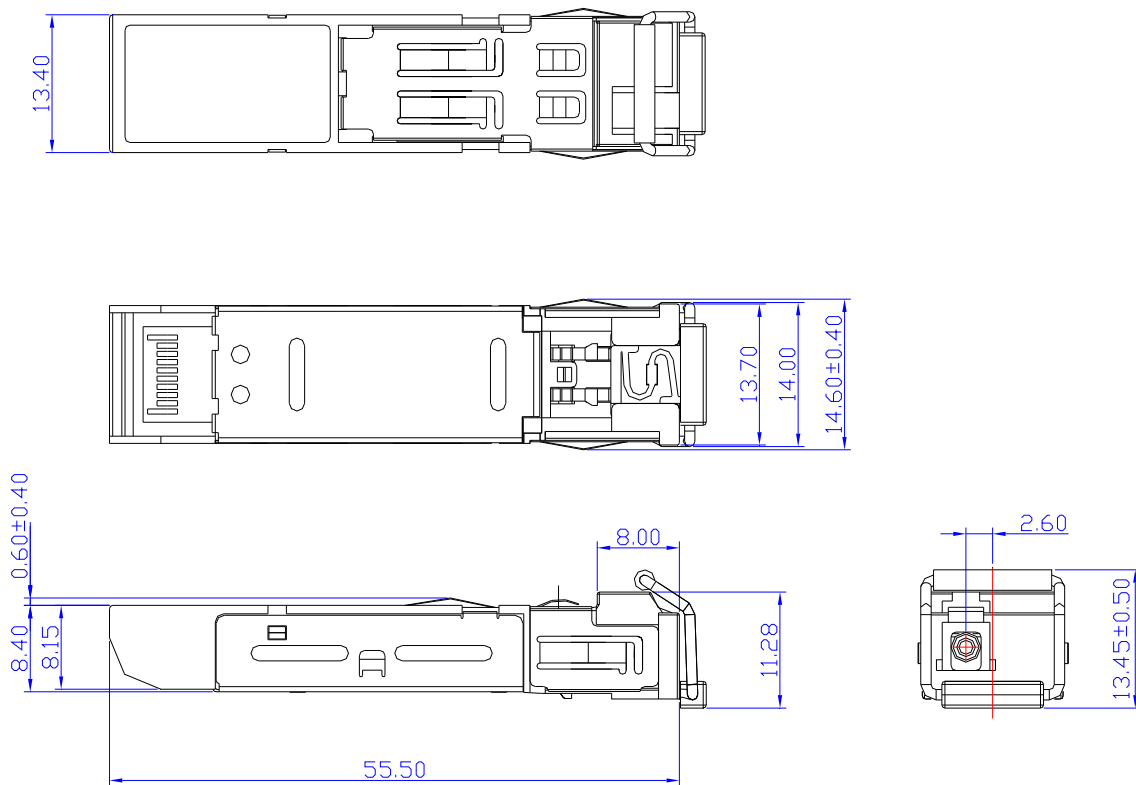
The RX\_LOS is high (logic "1") when there is no incoming light from the companion transceiver. This signal is normally used by the system for the diagnostic purpose. The signal is operated in TTL level.



**RoHS Compliant**  
**TX-1310/RX-1550 nm Single-mode Bi-directional (18dB margin)**  
**SFP LC Simplex Connector, with Diagnostic Monitoring**  
**155 Mbps SONET OC-3/SDH STM-1/125 Mbps Fast**  
**Ethernet/100Base-BX10-U/ITU-T G.985**

---

### Dimensions



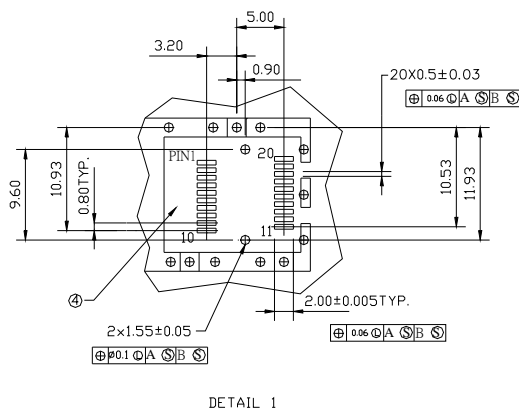
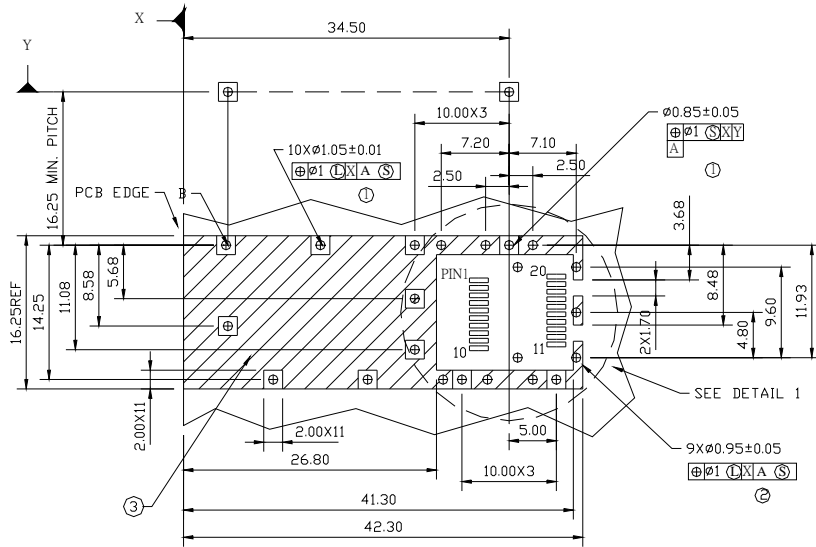
**DIMENSIONS ARE IN MILLIMETERS**

**ALL DIMENSIONS ARE ± 0.2mm UNLESS OTHERWISE SPECIFIED**



**RoHS Compliant**  
**TX-1310/RX-1550 nm Single-mode Bi-directional (18dB margin)**  
**SFP LC Simplex Connector, with Diagnostic Monitoring**  
**155 Mbps SONET OC-3/SDH STM-1/125 Mbps Fast**  
**Ethernet/100Base-BX10-U/ITU-T G.985**

**SFP host board mechanical layout**



**LEGEND**

1. PADS AND VIAS ARE CHASSIS GROUND
2. THROUGH HOLES, PLATING OPTIONAL
3. HATCHED AREA DENOTES COMPONENT AND TRACE KEEPOUT (EXCEPT CHASSIS GROUND)
4. AREA DENOTES COMPONENT KEEPOUT (TRACES ALLOWED)

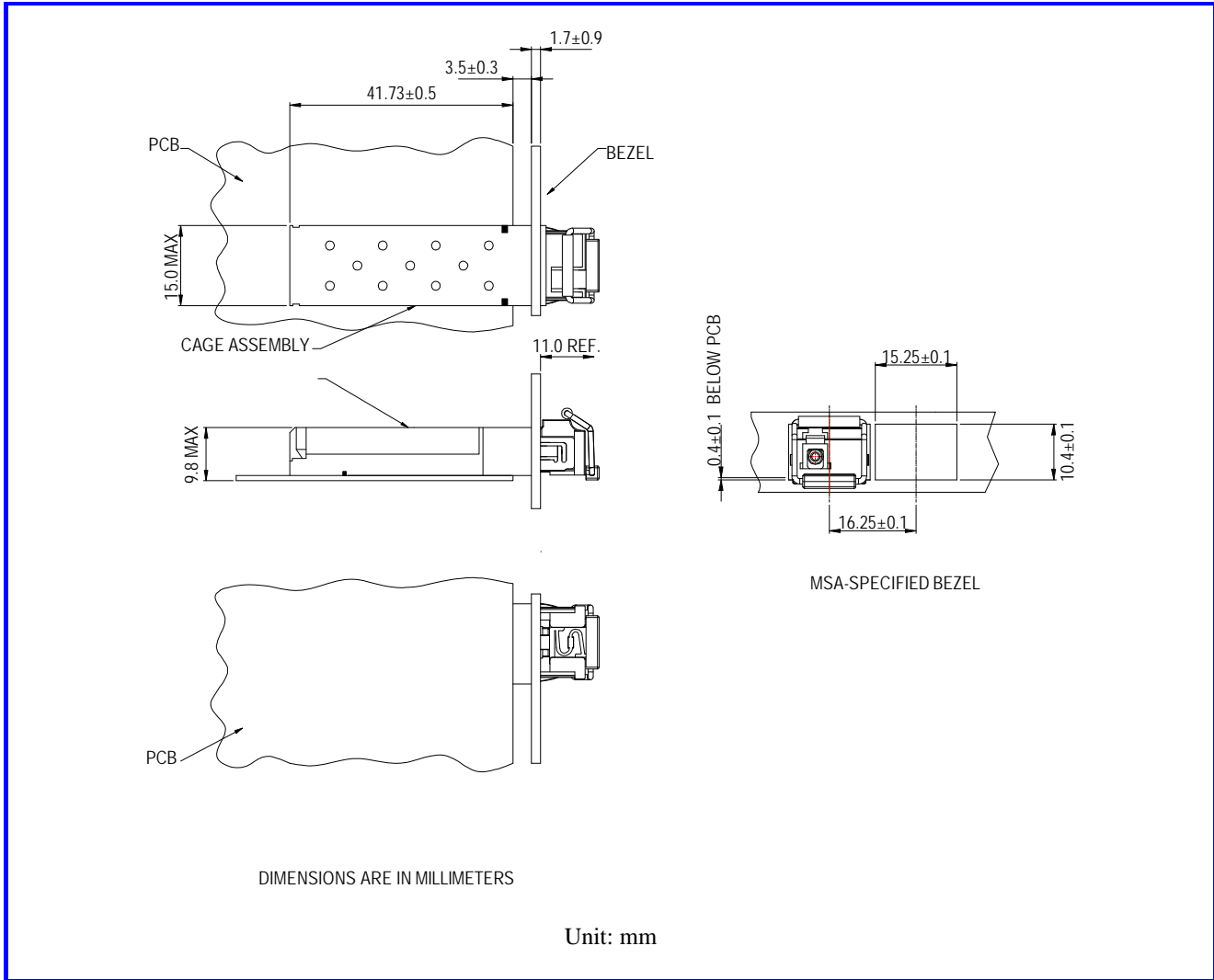
DIMENSIONS ARE IN MILLIMETERS

Unit: mm



**RoHS Compliant**  
**TX-1310/RX-1550 nm Single-mode Bi-directional (18dB margin)**  
**SFP LC Simplex Connector, with Diagnostic Monitoring**  
**155 Mbps SONET OC-3/SDH STM-1/125 Mbps Fast**  
**Ethernet/100Base-BX10-U/ITU-T G.985**

**Assembly drawing**



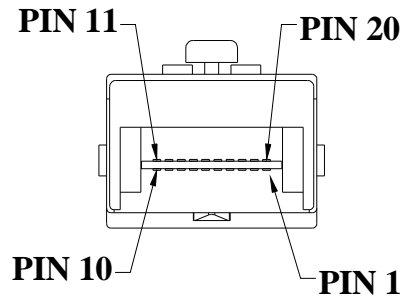




**RoHS Compliant**  
**TX-1310/RX-1550 nm Single-mode Bi-directional (18dB margin)**  
**SFP LC Simplex Connector, with Diagnostic Monitoring**  
**155 Mbps SONET OC-3/SDH STM-1/125 Mbps Fast**  
**Ethernet/100Base-BX10-U/ITU-T G.985**

**Pin Assignment**

Pin-Out



Pin	Signal Name	Description
1	$T_{GND}$	Transmit Ground
2	$TX\_FAULT$	Transmit Fault
3	$TX\_DISABLE$	Transmit Disable
4	$MOD\_DEF (2)$	SDA Serial Data Signal
5	$MOD\_DEF (1)$	SCL Serial Clock Signal
6	$MOD\_DEF (0)$	TTL Low
7	$RATE\_SELECT$	Open Circuit
8	$RX\_LOS$	Receiver Loss of Signal, TTL High, open collector
9	$R_{GND}$	Receiver Ground
10	$R_{GND}$	Receiver Ground
11	$R_{GND}$	Receiver Ground
12	$RX-$	Receive Data Bar, Differential PECL, ac coupled
13	$RX+$	Receive Data, Differential PECL, ac coupled
14	$R_{GND}$	Receiver Ground
15	$V_{CCR}$	Receiver Power Supply
16	$V_{CCT}$	Transmitter Power Supply
17	$T_{GND}$	Transmitter Ground
18	$TX+$	Transmit Data, Differential PECL, ac coupled
19	$TX-$	Transmit Data Bar, Differential PECL, ac coupled
20	$T_{GND}$	Transmitter Ground

Note : All information contained in this document is subject to change without notice.