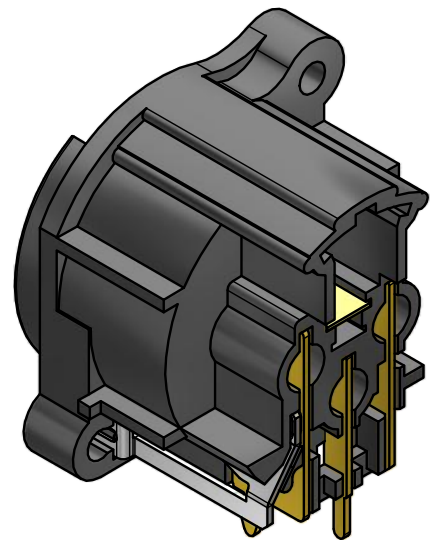
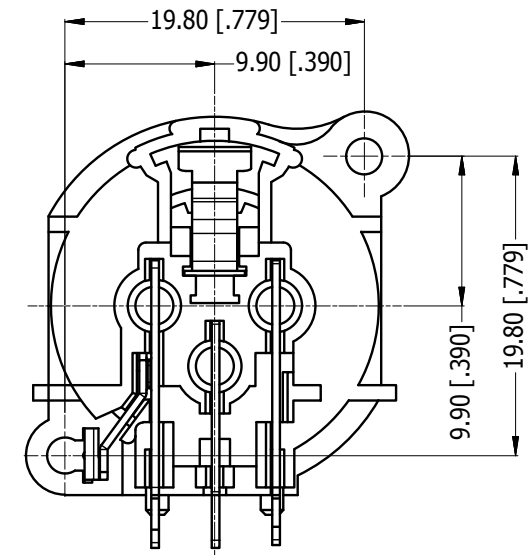
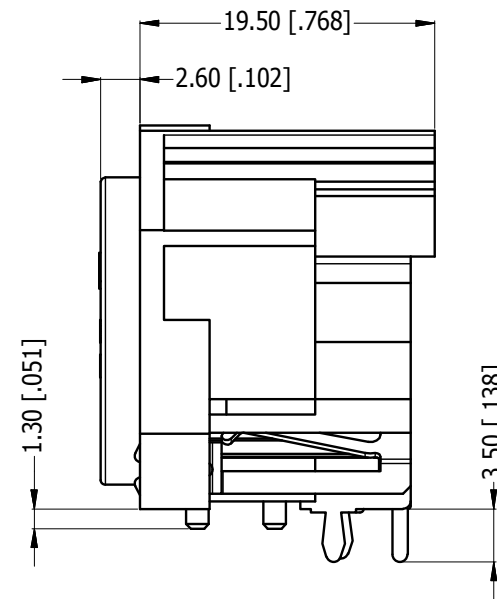
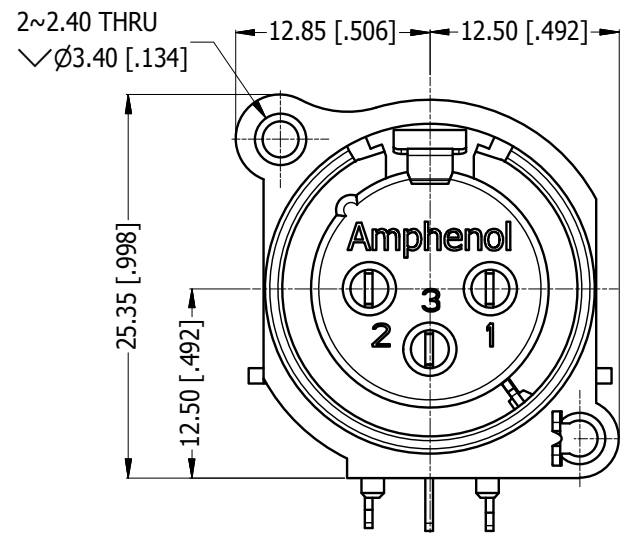
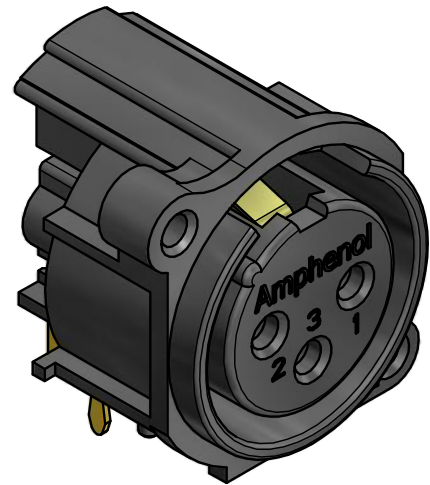
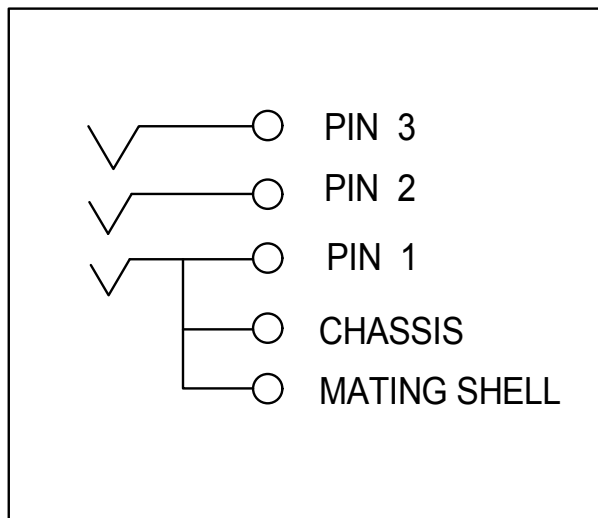


LEGEND = KEY PRODUCT CHARACTERISTICS

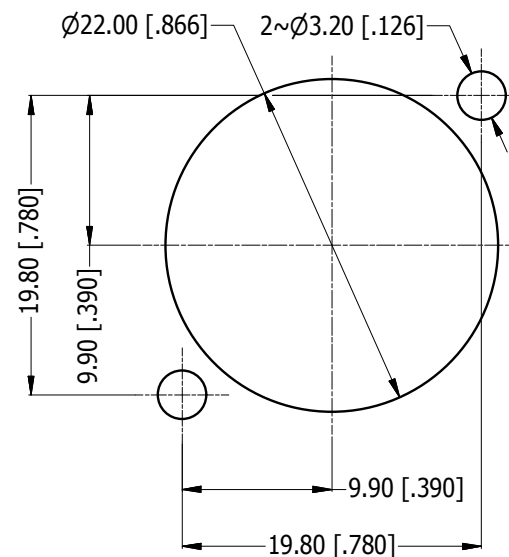
| REVISION HISTORY |             |            |    |        |
|------------------|-------------|------------|----|--------|
| REV              | DESCRIPTION | DATE       | BY | CHG/No |
| 0                | FIRST ISSUE | 08/10/2014 | MH | ---    |



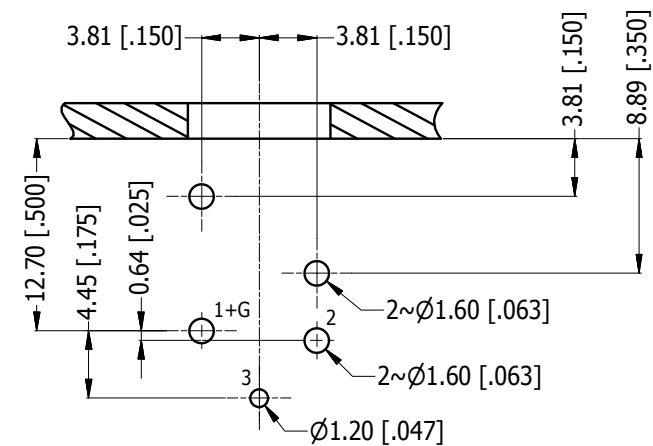
ISO VIEW



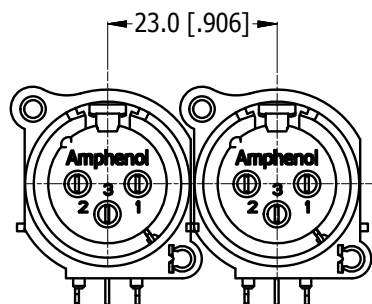
SCHMATIC CHART



PANEL CUT OUT  
REAR VIEW



PCB-LAYOUT  
COMPONENT SIDE  
TOLERANCE:  $\pm 0.05\text{mm} [0.002"]$



MIN MOUNTING PITCH  
SCALE 1:1

|  |            |   |            |                  |  |                          |
|--|------------|---|------------|------------------|--|--------------------------|
| UNLESS OTHERWISE SPECIFIED TOLERANCE TO BE |            | THIS DOCUMENT IS THE PROPERTY OF AMPHENOL AUSTRALIA PTY. LTD. NO PART THEREOF MAY BE REPRODUCED AND USED WITHOUT THE PRIOR WRITTEN CONSENT OF THE OWNER |            |                  | <b>Amphenol</b> Amphenol Australia Pty.Ltd, 22 Industry Blvd, Carrum Downs, VIC 3201 |                          |
| LINEAR                                     | ANGULAR    | MATERIAL: REFER TO COMPONENT  | DRN: MH    | DATE: 08/10/2014 | TITLE: LATCHLESS HORIZONTAL FEMALE CUSTOMER DRAWING                                  | PART No: AC3FAHL1-AU-PRE |
| X ±0.5                                     | X' ±1      | BREAK ALL SHARP EDGES AND REMOVE ALL BURRS  | CKD: M.H   | DATE: 08/10/2014 | DRAWING NO. 55011038-000-2   | SHEET 2/2                |
| X.X ±0.2                                   | X.X' ±30'  | DO NOT SCALE  | APP'D: P.M | DATE: 08/10/2014 | CAD FILE 55011038000220  |                          |
| X.XX ±0.1                                  | X.XX' ±15' | DIMENSIONS IN MILLIMETRES   | SCALE: 2:1 | SIZE: A3         |  |                          |