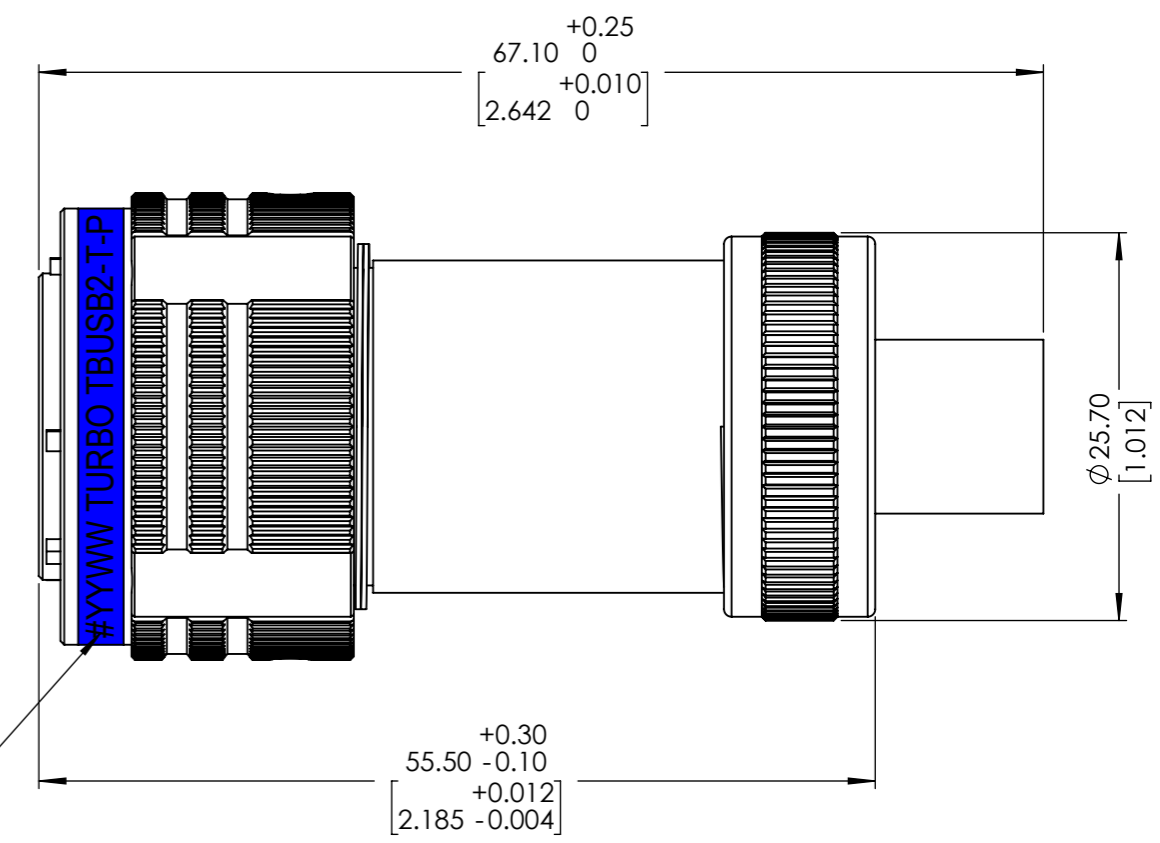
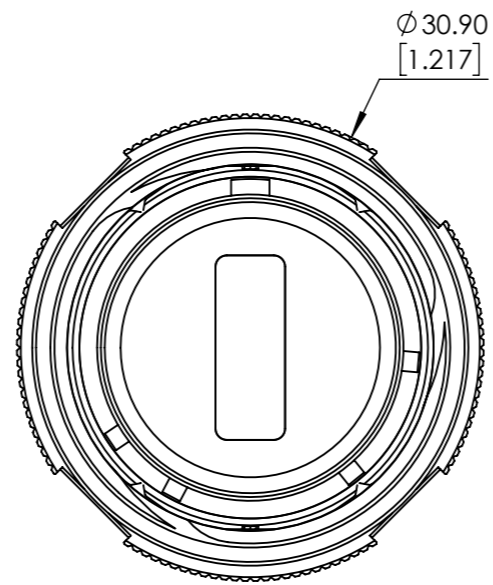
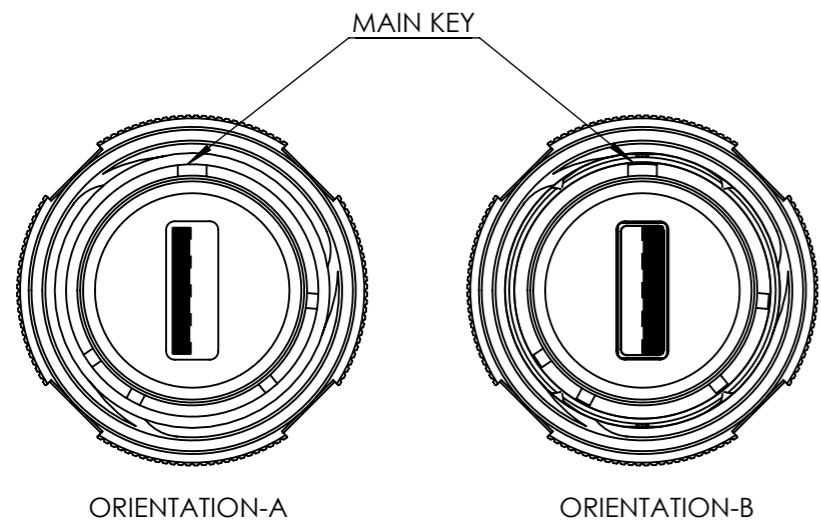


CUSTOMER REFERENCE DRAWING



PART MARKING

TBUSB2-T-P-W

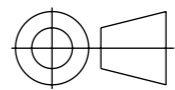
PRODUCT SERIES CODE

CONNECTOR INTERFACE
T : THREADED TYPE
(MIL-DTL-38999 SERIES III & IV,
SHELL SIZE 15)

MATERIAL & FINISH
N - AL ALLOY - ELECTROLESS NICKEL
W - AL ALLOY - CADMIUM OLIVE DRAB
Z - AL ALLOY - ZINC NICKEL BLACK

SHELL TYPE
P-PLUG SHELL

NOTE:
1. DIMENSIONS IN PARENTHESIS ARE IN INCHES.
2. USB 2.0 PLUG CABLE WILL NOT BE PROVIDED WITH THE CONNECTOR.

<small>THIS DOCUMENT IS SOLE PROPERTY OF TURBO INDIA, AND IS ISSUED IN STRICT CONFIDENCE THAT IT WILL NOT BE REPRODUCED IN ANY WAY OR USED TO SOLICIT BUSINESS OF A COMPETITIVE NATURE. DISTRIBUTION OF THIS DOCUMENT IS PROHIBITED UNLESS WRITTEN CONSENT IS OBTAINED FROM TURBO INDIA. THIS DOCUMENT IS SUITABLE FOR ENGINEERING EVALUATION AND MAY BE USED IN TECHNICAL SPECIFICATIONS.</small>	PART NUMBER:	---	UNLESS OTHERWISE NOTED: DIMENSIONS ARE IN MM : FRACTION ARE $\pm 1/16$.XX DECIMALS ARE $\pm .10$.XXX DECIMALS ARE $\pm .07$	DOC NO : TICS-F-195	REVISION : 00	DATE : 27-12-2022	
	MATERIAL:	---		ANGLES ARE $\pm 2^\circ$ DO NOT SCALE THIS DRAWING	DESCRIPTION: TBUSB2-T PLUG CONNECTOR		
	SURFACE AREA:	---					
	EST. WEIGHT:	---					
	DRAWN:	SP	 THIRD ANGLE PROJECTION	DRAWING NUMBER:	REVISION:		
	CHECKED:	RK		CRD-TBUSB2-T-P-X	0		
APPROVED:	RK	SHEET 1 OF 1					
DATE:	25-01-2023						