

Product Overview

The NSA2860X is an EMC enhanced highly integrated IC for sensor conditioning and transmitting. It can be used for resistive or voltage output sensors like resistive bridge pressure sensor, thermocouple, RTD etc. The NSA2860X integrates an external JFET regulator, a 24-bit primary signal measurement channel, a 24-bit temperature measurement channel, sensor calibration logic, a pair of constant current sources and a 16-bit DAC. It can provide digital, 0~5V, 0~10V, 4~20mA, PWM and PDM outputs. The high integrity enables very compact PCB design with very few external components. With the internal calibration algorithm built in the MCU, the NSA2860X supports to compensate the temperature drift of zero and span up to the 2nd order and also the linearity up to the 3rd order.

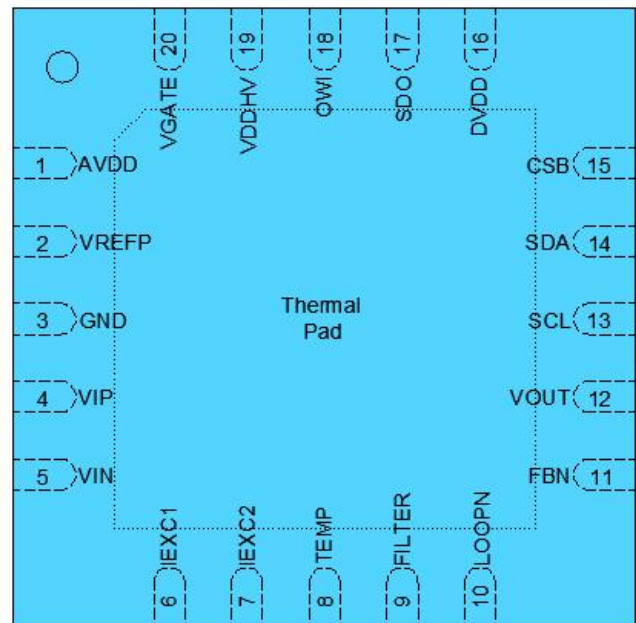
Key Features

- Analog Functions
 - Low drift voltage reference
 - Instrumental amplifier with variable gain from 1X to 256X
 - 24-bit ADC for primary signal measurement
 - 24-bit ADC for temperature measurement
 - Internal and external temperature sensor supported
 - A pair of current sources
 - 16-bit DAC
- Digital Functions
 - 1X~8X digital gain
 - Multiple filter settings
 - Sensor calibration logic with built-in MCU
 - EEPROM
- Output

- 4~20mA current loop
- Ratiometric or absolute voltage output
- Special OWI communication
- SPI/I2C
- PWM/PDM
- Others
 - High voltage regulator with external JFET or Bipolar
 - Package: QFN20, SSOP16
 - Operation temperature:
 - 40°C~125°C (QFN20)
 - 40°C~150°C (SSOP16)

Applications

- Pressure sensors and transmitters
- Thermocouple transmitter
- RTD temperature transmitter
- Other sensors



Index

1.0 ABSOLUTE MAXIMUM RATINGS.....	4
2.0 ELECTRICAL CHARACTERISTICS.....	4
3.0 REGISTER DESCRIPTION.....	8
3.1. NORMAL REGISTERS.....	8
3.2. EEPROM REGISTERS.....	10
4.0 FUNCTION DESCRIPTION.....	16
4.1. ANALOG FRONT-END MODULE 1: PRIMARY SIGNAL CHANNEL.....	17
4.1.1. PGA+PADC.....	17
4.1.2. The input common-mode voltage of PGA.....	18
4.1.3. Digital filter.....	18
4.1.4. System Chopping.....	19
4.2. ANALOG MODULE 2: TEMPERATURE MEASUREMENT CHANNEL.....	19
4.2.1. Internal temperature sensor.....	19
4.2.2. External temperature sensor.....	19
4.3. ANALOG OUTPUT STAGE.....	20
4.3.1. 16-bit DAC.....	20
4.3.2. Voltage output.....	20
4.3.3. 4~20mA current loop.....	21
4.3.4. PDM.....	23
4.3.5. PWM.....	23
4.4. POWER MANAGEMENT AND SENSOR DRIVE.....	24
4.4.1. Sensor Driver.....	24
4.4.1.1. Constant Voltage Drive.....	24
4.4.1.2. Constant Current Drive.....	24
4.4.2. JFET regulator.....	24
4.4.3. Internal LDO.....	25
4.4.4. Power on Reset.....	25
4.5. BUILD-IN MCU CORE AND CONTROL LOGICS.....	25
4.5.1. Work Modes.....	25
4.5.1.1. Command Mode.....	25
4.5.1.2. Active Mode.....	25
4.5.2. EEPROM.....	26
4.5.2.1. Loading.....	26
4.5.2.2. Programming.....	26
4.5.2.3. Lock and Unlock.....	26
4.5.3. Build-in MCU Core.....	26
4.5.4. Calibration.....	26
4.6. FAULT DETECTION AND ALARM.....	26
4.6.1. Fault Detection.....	27
4.6.2. Alarm.....	27
5.0 SERIAL INTERFACE.....	27
5.1. OWI PROTOCOL.....	27
5.1.1. Timing Spec.....	27
5.1.2. Enter OWI Mode.....	28
5.1.3. OWI Protocol.....	28
5.1.4. Pins and configurations.....	29
5.1.5. Dual-Port OWI Communication (OWI_AC_EN=1).....	30

NSA2860X

5.1.6. <i>Quit OWI communication</i>	31
5.2. SPI INTERFACE.....	31
5.2.1. <i>Interface specification</i>	31
5.3. I2C INTERFACEE.....	33
6.0 PACKAGE INFORMATION	35
7.0 TYPICAL APPLICATIONS	37
7.1. APPLICATION 1: 0~5V VOLTAGE OUTPUT SENSOR.....	37
7.2. APPLICATION 2: 0~10V OUTPUT PRESSURE TRANSMITTER.....	37
7.3. APPLICATION 3: 4~20MA PRESSURE TRANSMITTER 1.....	38
7.4. APPLICATION 4: 4~20MA PRESSURE TRANSMITTER 2.....	39
7.5. APPLICATION 5: ISOLATED PRESSURE SENSOR TRANSMITTER.....	39
7.6. APPLICATION 6: THERMAL COUPLE 4~20MA TEMPERAURE TRANSMITTER.....	40
7.7. APPLICATION 7: 4~20MA THERMOCOUPLE TEMPERATURE TRANSMITTER.....	40
8.0 TAPE/REEL INFORMATION	41
9.0 ORDER INFORMATION	42
10.0 REVISION HISTORY	42

1.0 ABSOLUTE MAXIMUM RATINGS

Parameters	Symbol	Min	Typ	Max	Unit	Comments
VDDHV Voltage	VDDHVmax	-24		28	V	70°C, 1 hour
AVDD Voltage	AVDDmax	-0.3		6.5	V	
Analog pins voltage		-0.3		AVDD+0.3	V	
VGATE pin voltage	VGATEmax	-0.3		7.5	V	
LOOPN pin voltage	LOOPNmax	-1.2		0.3	V	
Analog output current Limit				25	mA	
Digital pin voltage		-0.3		AVDD+0.3	V	25°C
ESD susceptibility	HBM	±2			kV	
	CDM	±500			V	
Maximum junction temperature	Tjmax			155	°C	
Storage temperature		-60		150	°C	
Operation temperature	T _{A_EXT}	-40		125	°C	Normal temperature range
	T _{A_ADV}	-40		85	°C	Best Performance Temp range
	T _{A_BST}	125		150	°C	Extended temperature range, For 500h max over life time

2.0 ELECTRICAL CHARACTERISTICS

Parameters	Symbol	Min	Typ	Max	Unit	Comments	
Supply and Regulation							
Supply voltage Range	VDDHV	3	5	5.5	V	JFET_LVL=0	
		5.5		18		JFET_LVL=1	
JFET Regulator Output	VDDJ	4.9	5	5.2		JFET_LVL=0	
		3.2	3.3	3.5		JFET_LVL=1	
	PSRR _{VDDJ}	100				dB	@DC
		40				dB	@20KHz
DVDD LDO Output	DVDD	1.7	1.78	1.85	V		

NSA2860X

Power On Reset	V _{POR_AVDD}		2.5			POR threshold as power up
	V _{POR_HYS}		0.1		V	POR Hysteresis
Current (Sensor not included)	I _{avdd1}		1.55		mA	4~20mA Transmitter mode (OUT_MODE=01xb)
	I _{avdd2}		1.65		mA	0~5V voltage output (OUT_MODE=00xb)
	I _{avdd5}		1.4		mA	Digital output only (OUT_MODE=111b)
	I _{cmd}		115		uA	COMMAND MODE, SPI/I2C, JFET_DIS=1
Reference Voltage and Current Source						
Internal Bandgap Reference	VBG		1.200		V	Not measurable directly, proportional with AVDDJ and VREF
VBG TC	VBG_TC		5	25	ppm/°C	-40°C~105°C
				30		-40°C~125°C
参考电压输出 (VREFP-VREFN)	VREF	3.585	3.605	3.625	V	VREF_LVL=0, 25°C
		2.443	2.456	2.469	V	VREF_LVL=1, 25°C
Load on VREF	R _{VREF}	0.5			kohm	
VREF Current Limit	I _{VREF_limit}		20		mA	Short to Ground
Input Current When VREF Driven External	I_VREF_EXT		10		nA	VREF_DIS = 1
Current Source Outputs with Internal Reference Resistor	I _{EXC1}	0		750	uA	50uA/Step
	I _{EXC2}	0		700	uA	50uA/Step, When I _{EXC2} <3:0> ≠ 1111b
External Reference Resistor for Constant Current	R _{I_{EXC}}	20	25	33	kohm	When I _{EXC2} <3:0> = 1111b
I _{EXC} Temperature Drift (Internal Reference Resistor)	I _{EXC_TC}		40	120	ppm/°C	
Mismatch of I _{EXC} s (I _{EXC1} <3:0> = I _{EXC2} <3:0>)		-2%		2%		I _{EXC} *<3:0> = 0001~0011
		-1%		1%		I _{EXC} *<3:0> = 0100~0111
		-0.5%		0.5%		I _{EXC} *<3:0> = 1000~1110
I _{EXC} PSRR			1.2	4	uA/V	I _{EXC} = 350uA
Headroom Voltage for Current Sources		0		AVDD-0.8	V	
I _{EXC} RMS Noise, 0.1~100Hz				5	nA	I _{EXC} = 500uA

NSA2860X

Primary Signal Measurement Channel						
PGA Gain	GAIN	1		256		
PGA Gain Error	GAINP_ERR	0.05%		0.5%		Gain_P =1,2
		-0.1%		0.7%		Gain_P =4,6
		-0.3%		0.6%		Gain_P =8,12
		-0.5%		0.5%		Gain_P =16,24
		-0.75%		0.25%		Gain_P =32,48
		-1.8%	-1%	0.4%		Gain_P =64,96,128,192,256
PGA Gain TC Drift	GAINP_TC		3		ppm/°C	
	OFF			600	uV	Input referred, SYSTEM_CHOP_EN = 0
		-10	1	10	uV	Input referred, SYSTEM_CHOP_EN = 1
Offset TC	OFF_DRIFT		±5		nV/°C	Input referred SYSTEM_CHOP_EN = 1
PADC Resolution	RES _{RAW}		24		Bits	
PADC Output Data Rate	ODR_P	2.5		2400	Hz	
ENOB of Primary Channel	ENOB_P	Refer to Table4.1			Bits	Depends on PGAIN and ODR_P
Integral nonlinearity	INL			15	ppm of FS	
Input CMRR of Primary Channel	CMRR		120		dB	
PSRR of Primary Channel	PSRR	90	120		dB	
Temperature Measurement Channel (Internal and External Temperature Sensor)						
TADC Resolution	RES_T	24			Bit	
TADC GAIN	GAIN_T	1		4		1,2,4
TADC Output Data Rate	ODR_T	2.5		2400	Hz	
TADC ENOB	ENOB_P	Refer to Table 4.2,4.3				
Error of Internal Temperature Sensor			±1.5	±3	°C	-40 to 125 °C
TEMP Input Impedance			1		Gohm	
Analog Input Pins						

NSA2860X

Analog Input Voltage	VIP, VIN	GND+0.4		AVDD-1.2	V	PGA on (Gain>2)
		GND+0.1		AVDD-0.1	V	PGA off, Buffer on
		GND-0.1		AVDD+0.1	V	PGA off, Buffer off
Differential Input Voltage Range	V_{range}		$\pm VREF / GAIN$		V	VREF:ADC Reference Voltage
VINP,VINN Input Pin Leakage	$I_{leakage}$			± 1	nA	DIAG_ON=0, 25°C
DAC and Output Buffer						
DAC Resolution			16		Bit	
DAC Full Scale	VFSDAC	5V, 3.3V, 1.2V or AVDD				Depends on DAC_REF<1:0>
DNL of DAC	DNL			1	LSB	
INL of DAC	INL			10	LSB	
DAC Output RMS noise	V_{rms}		0.5		mV	0~5V Absolute Voltage Output Mode
Output Load Resistance	R_{load}	1			kOhm	Voltage Output Mode
Output Load Capacitance	C_{load}			150	nF	Voltage Output Mode
Output Shorted Current Limit	I_{short_lmt}			25	mA	Output Short to VDD or GND
Clamp High Level	V_{clampH}	0.5		1	VFSDAC	Set by CLAMP_HIGH<7:0>
Clamp Low Level	V_{clampL}	0		0.5	VFSDAC	Set by CLAMP_LOW<7:0>
4~20mA Current Loop						
Loop Reference Resistor	R_{loop}		50		Ohm	
Loop Current Noise	I_{rms}		0.2		uA	0.1Hz~10Hz
Downscale Alarm Current	I_{faultH}	3.375			mA	
Upscale Alarm Current	I_{faultL}	21.75			mA	
Diagnostic and Alarm						
Burnout Current	I_{diag}		100		nA	
Fault Alarm High	FAULT_HIGH	98%			VDD	
Fault Alarm Low	FAULT_LOW			2%	VDD	
OSC						
ADC Clock	FOSC_MOD		614.4		kHz	

NSA2860X

Clock Rate Error	FOSC_ERR	-2%		1%		-40~125°C
PDM/PWM						
PDM modulation Frequency	F _{PDM}	19.2		153.6	kHz	
PWM Frequency	F _{PWM}		300		Hz	
PWM Resolution	R _{PWM}		12		Bit	
EEPROM						
Programming Temperature	T _{EEP}	-40		105	°C	
Programming Supply Voltage	VEE	3		5.5	V	
Time for EEPROM programming	t _{EEP}		0.8	1	s	
Endurance			10k			
Date Retention		10			A	@150°C
Serial Interface						
Communication Data Rate	F _{clk}			10	MHz	SPI Interface
				400	kHz	I2C Interface
				50	kHz	OWI Interface

3.0 REGISTER DESCRIPTION

The register map of the NSA2860X includes two parts, normal registers and EEPROM registers. The normal registers include data registers and some control registers, while the EEPROM registers are mainly configuration registers and calibration coefficients. All EEPROM registers should be written by external interface on command mode (register 'CMD' = '0x00').

3.1. NORMAL REGISTERS

IF_CTRL(R/W)

Addr	Bit	Register name	Default	Description
0x00	7, 0	SDO_ACTIVE	1'b1	0: SPI3-wire 1: SPI4-wire (SDO as serial output)
	6, 1	LSB_FIRST	1'b0	0: SPI MSB first 1: SPI LSB first
	5, 2	SOFTRESET	1'b0	Set either of these two bits to 1 to reset the chip. Return to 0 after reset.

STATUS (Read only)

Addr	Bit	Register name	Default	Description
------	-----	---------------	---------	-------------

NSA2860X

0x02	7 – 3	ERROR_CODE<4:0>	5'b00000	x1xxx: VIP open or short to VREF xx1xx: VIP short to GND xxx1x: VIN open or short to VREF xxxx1: VIN short to GND
	2	CRC_ERR	1'b0	1: CRC error detected during EEPROM loading; When CRC error is asserted, EEPROM register bits 'OWI_DIS', 'OWI_AC_EN', 'OWI_WINDOW', 'JFET_DIS', 'VREF_DIS', 'EEPROM_LOCK' are forced to 0.
	1	LOADING_END	1'b0	1: EEPROM loading end flag
	0	DRDY	1'b0	1: Set after a new data updated and automatically cleared after a register reading to PDATA/TDATA or before the next data's coming.

PDATA (Read only, Primary channel data register)

Addr	Bit	Register name	Default	Description
0x06	7 – 0	PDATA<23:16>	0x00	Signed, 2's complement: When 'RAW_P'= 1, stores the ADC output of primary channel, When 'RAW_P'=0, stores the calibrated primary channel data.
0x07	7 – 0	PDATA<15:8>	0x00	
0x08	7 – 0	PDATA<7:0>	0x00	

TDATA (Read only, temperature channel data register)

Addr	Bit	Register name	Default	Description
0x09	7 – 0	TDATA<23:16>	0x00	Signed, 2's complement: When 'RAW_T'= 1, stores the ADC output of temperature channel, When 'RAW_T'= 0, stores the calibrated temperature data, LSB = 1/2^16°C. Real Temperature =TDATA/2^16+25 °C
0x0a	7 – 0	TDATA<15:8>	0x00	
0x0b	7 – 0	TDATA<7:0>	0x00	

DAC_DATA (R/W, DAC input data register)

Addr	Bit	Register name	Default	Description
0x12	7 – 0	DAC_DATA<15:8>	0x00	DAC input data, unsigned; When 'RAW_P'= 0, set by the internal calibration logic, read only, When 'RAW_P'= 1, set externally through serial interface.
0x13	7 – 0	DAC_DATA<7:0>	0x00	
0x14	0	DAC_BLANK	1'b0	Blank DAC input update when 'RAW_P'=1, should be set before writing DAC_MSB and DAC_LSB and cleared after writing finished.

COMMAND (R/W, command register)

Addr	Bit	Register name	Default	Description
0x30	7 – 0	CMD<7:0>	0x03	0x00: command mode, all EEPROM can be written only in command mode. 0x01/0x02: Reserved 0x03: Active mode

NSA2860X

				0x33: Enter EEPROM Program Mode
--	--	--	--	---------------------------------

QUIT_OWI (Write only)

Addr	Bit	Register name	Default	Description
0x61	7 – 0	QUIT_OWI <7:0>	0x00	Write '0x5D' to this register to quit OWI communication If 'QUIT_OWI_CNT' =0x00, quit OWI communication permanently. If 'QUIT_OWI_CNT' is not 0x00, quit OWI mode temporary with a certain time and then get back to OWI mode.

QUIT_OWI_CNT (R/W)

Addr	Bit	Register name	Default	Description
0x62	7 – 0	QUIT_OWI_CNT<7:0>	0x00	Time for temporary quit OWI communication Mode. 0x00: Quit forever, 0x01: 50ms, 0x02: 100ms ... 0xFF: 12.8s

EE_PROG (R/W)

Addr	Bit	Register name	Default	Description
0x6a	7 – 0	EE_PROG<7:0>	0x00	Write '1E' to this register to start EEPROM Programming. Automatically cleared to '0x00' after programming finished.

VDD_CHECK (R/W)

Addr	Bit	Register name	Default	Description
0x70	0	VDD_CHECK	1'b0	Write '1' to force VDD/2 as the input of temperature ADC

3.2. EEPROM REGISTERS

SYS_CONFIG1 (R/W)

Addr	Bit	Register name	Default	Description
0xa1	7	CAL_MODE	1'b0	0: one segment calibration with the 2 nd order temperature coefficients 1: two segment calibration with the 1 st order temperature coefficients.
	6	BURNOUT_EN	1'b0	1: enable the 100nA burnout current sources.
	5	FAULT_ON	1'b0	1: when any fault is detected, pull analog output to a fixed level voltage or loop current.
	4	FAULT_LVL	1'b0	1. High alarm output (voltage output), 21.75mA(current output) 0. Low alarm output (voltage output) , 3.375mA (current output)
	3	OWI_AC_EN	1'b0	0: Single-port OWI communication mode 1: Dual-port OWI communication mode
	2	OWI_WINDOW	1'b0	0: OWI can be entered during a 10ms~80ms window after power up or soft reset 1: infinite window, OWI can be entered any time after power up
	1	OWI_DIS	1'b0	1.OWI disabled(Won't be effective until next power on reset or soft reset after EEPROM is programmed)
	0	INT_EN	1'b0	1.Enable Data ready interruption (Through SDO/DRYB pin, active

NSA2860X

				low)
--	--	--	--	------

SYS_CONFIG2 (R/W)

Addr	Bit	Register name	Default	Description
0xa2	7	JFET_DIS	1'b0	1: Disable JFET regulator
	6	JFET_LVL	1'b0	0: JFET regulator outputs 5V. 1:JFET regulator outputs 3.3V
	5	VREF_DIS	1'b0	1: Disable reference buffer and reference voltage can be forced externally
	4	VREF_LVL	1'b0	0: VREFP = 3.6V 1: VREFP = 2.45V
	3	T_OUT_EN	1'b0	1: when not in OWI mode, TADC data outputs through OWI pin in PWM format
	2 - 0	OUT_MODE<2:0>	3'b000	000: Voltage output 001: Reserved, should not be used 010/011: Current loop output 100: PDM output 101: PWM output 110: Reserved, should not be used 111: Disable DAC

Current_EXC (R/W)

Addr	Bit	Register name	Default	Description
0xa3	7 - 4	IEXC1<3:0>	4'b0000	IEXC1/2: set IEXC1 and IEXC2 current value or mode 0000: Disabled 0001: 50uA 0010: 100uA
	3 - 0	IEXC2<3:0>	4'b0000	... 1110: 700uA 1111 for IEXC1, 750uA; 1111 for IEXC2: use external reference resistor

PCH_Config1 (R/W)

Addr	Bit	Register name	Default	Description
0xa4	7 - 4	GAIN_P<3:0>	4'b0000	Primary Channel Gain 0000:1X, 0001:2X, 0010:4X, 0011:6X, 0100:8X, 0101:12X, 0110:16X, 0111:24X, 1000:32X, 1001:48X, 1010:64X, 1011:96X, 1100:128X, 1101:192X, 1110:256X, 1111:1X and disable buffer.
	3 - 0	ODR_P<3:0>	4'b0000	PADC output data rate setting 0000:2.4KHz, 0001: 1.2KHz, 0010: 600Hz, 0011: 300Hz, 0100: 150Hz, 0101:75Hz, 0110:37.5Hz, 0111:18.75Hz, 1000:10Hz(with 60Hz notch), 1001:10Hz (with 50Hz notch) , 1010:5Hz (with 60Hz notch) , 1011:5Hz (with 50Hz notch) ,1100: 2.5Hz (with 60Hz notch) , 1101: 2.5Hz (with 50Hz notch) 1110,1111:PADC disabled

NSA2860X

PCH_Config2 (R/W)

Addr	Bit	Register name	Default	Description
0xa5	7 – 6	DAC_REF<1:0>	2'b00	DAC full scale reference 00: 5V, 01:3.3V, 10: 1.2V, 11: AVDD (Ratiometric)
	5 – 3	Reserved<2:0>	3'b000	Should be 3'b000
	2	SYS_CHOP_EN	1'b0	0: disable system chopping 1: enable system chopping
	1	INPUT_SWAP	1'b0	1: swap the polarity of inputs of PADC
	0	RAW_P	1'b0	0: update calibrated sensor data into 'PDATA' register. 'DAC_DATA' will be set by internal calibration logic. 1: update raw primary ADC data into 'PDATA' register after conversion, and allow DAC to be set externally;

TCH_Config (R/W)

Addr	Bit	Register name	Default	Description
0xa6	7	EXT_TEMP	1'b0	0: internal temperature sensor selected 1: external temperature sensor selected (TEMP pin as external temperature sensor input)
	6 – 5	GAIN_T<1:0>	2'b00	Gain for temperature channel 00:1X, 01:2X, 10/10:4X
	4 – 1	ODR_T	4'b0000	TADC output data rate, similar as ODR_P 0000:2.4KHz, 0001: 1.2KHz, 0010: 600Hz, 0011: 300Hz, 0100: 150Hz, 0101:75Hz, 0110:37.5Hz, 0111:18.75Hz, 1000:10Hz(with 60Hz notch), 1001:10Hz (with 50Hz notch) , 1010:5Hz (with 60Hz notch) , 1011:5Hz (with 50Hz notch) , 1100: 2.5Hz (with 60Hz notch) , 1101: 2.5Hz (with 50Hz notch) 1110,1111: TADC disabled When TADC disabled, the negative reference voltage (VREFN) for PADC is driven externally through TEMP pin
	0	RAW_T	1'b0	1: store the direct TADC output into 'TDATA' register 0: store the calibrated TADC data into 'TDATA' register.

CLAMPH (R/W)

Addr	Bit	Register name	Default	Description
0xa7	7 – 0	CLAMPH<7:0>	0x00	Set clamping high level. $(1 - \text{CLAMPH} * 2^{(-9)}) * \text{VFSDAC}$

CLAMPL (R/W)

Addr	Bit	Register name	Default	Description
0xa8	7 – 0	CLAMPL<7:0>	0x00	Set clamping low level, $\text{CLAMPL} * 2^{(-9)} * \text{VFSDAC}$

OFFSET0 (R/W)

Addr	Bit	Register name	Default	Description
0xa9	7 – 0	OFF0<15:8>	0x00	Sensor Calibration coefficient, offset at T0. $\text{LSB} = 1/2^{15}$. RANGE (-

NSA2860X

0xaa	7 – 0	OFF0<7:0>	0x00	1, +1)
------	-------	-----------	------	--------

CTC1 (R/W)

Addr	Bit	Register name	Default	Description
0xab	7 – 0	CTC1<15:8>	0x00	Sensor Calibration coefficient,
0xac	7 – 0	CTC1<7:0>	0x00	CAL_MODE=0: the 1st order temperature coefficient of offset. LSB=1/2 ²² . RANGE (-0.00781, +0.00781) CAL_MODE=1: the 1 st order temperature coefficient of offset for segment 0. LSB=1/2 ²² . RANGE (-0.00781, +0.00781)

CTC2 (R/W)

Addr	Bit	Register name	Default	Description
0xad	7 – 0	CTC2<15:8>	0x00	Sensor Calibration coefficient,
0xae	7 – 0	CTC2<7:0>	0x00	CAL_MODE=0: the 2 nd order temperature coefficient of offset. LSB=1/2 ²⁹ , RANGE (-6.1e-5, 6.1e-5) CAL_MODE=1: the 1 st order temperature coefficient of offset for segment 1, LSB=1/2 ²² . RANGE (-0.00781, +0.00781)

S0 (R/W)

Addr	Bit	Register name	Default	Description
0xaf	7 – 0	S0<15:8>	0x00	Sensor calibration coefficient, sensitivity at T0. LSB=1/2 ¹⁵ (unsigned), RANGE(0, 2)
0xb0	7 – 0	S0<7:0>	0x00	

STC1 (R/W)

Addr	Bit	Register name	Default	Description
0xb1	7 – 0	STC1<15:8>	0x00	Sensor Calibration coefficient,
0xb2	7 – 0	STC1<7:0>	0x00	CAL_MODE=0: the 1st order temperature coefficient of sensitivity. LSB=1/2 ²² . RANGE (-0.00781, +0.00781) CAL_MODE=1: the 1 st order temperature coefficient of sensitivity for segment 0. LSB=1/2 ²² . RANGE (-0.00781, +0.00781)

STC2 (R/W)

Addr	Bit	Register name	Default	Description
0xb3	7 – 0	STC2<15:8>	0x00	Sensor Calibration coefficient.
0xb4	7 – 0	STC2<7:0>	0x00	CAL_MODE=0: the 2 nd order temperature coefficient of sensitivity. LSB=1/2 ²⁹ , RANGE (-6.1e-5, 6.1e-5) CAL_MODE=1: the 1 st order temperature coefficient of sensitivity for segment 1, LSB=1/2 ²² . RANGE (-0.00781, +0.00781)

KS (R/W)

Addr	Bit	Register name	Default	Description
0xb5	7 – 0	KS<15:8>	0x00	Sensor calibration coefficient, the 2 nd order nonlinearity coefficient, LSB=1/2 ¹⁵ , RANGE(-1, +1)
0xb6	7 – 0	KS<7:0>	0x00	

KSS (R/W)

Addr	Bit	Register name	Default	Description
------	-----	---------------	---------	-------------

NSA2860X

0xb7	7-0	KSS<15:8>	0x00	Sensor calibration coefficient, the 3 rd order nonlinearity coefficient, LSB=1/2 ¹⁶ , RANGE (-0.5, +0.5)
0xb8	7-0	KSS<7:0>	0x00	

SCALE_OFF (R/W)

Addr	Bit	Register name	Default	Description
0xb9	7-0	SCALE_OFF<23:16>	0x00	SCALE offset coefficient, LSB=1/2 ²³ . RANGE (-1, +1)
0xba	7-0	SCALE_OFF<15:8>	0x00	
0xbb	7-0	SCALE_OFF<7:0>	0x00	

SCALE_S (R/W)

Addr	Bit	Register name	Default	Description
0xbc	7-0	SCALE_S<23:16>	0x00	SCALE sensitivity coefficient(unsigned), LSB=1/2 ¹⁶ (unsigned),RANGE (0, 256)
0xbd	7-0	SCALE_S<15:8>	0x00	
0xbe	7-0	SCALE_S<7:0>	0x00	

T0 (R/W)

Addr	Bit	Register name	Default	Description
0xbf	7-0	T0<7:0>	0x00	Sensor calibration coefficient, reference temperature point, Real reference temperature, REAL_T0 = T0 + 25, LSB=1. RANGE(-128, +127)

KTS (R/W)

Addr	Bit	Register name	Default	Description
0xc0	7-0	KTS<7:0>	0x00	Sensor calibration coefficient, the 2 nd order nonlinearity coefficient for external temperature sensor, LSB=1/2 ⁷ , RANGE(-1, +1)

MTO (R/W)

Addr	Bit	Register name	Default	Description
0xc1	7-0	MTO<15:8>	0x00	Sensor calibration coefficient, offset coefficient of external temperature sensor , MTO: LSB=1/2 ¹⁵ , RANGE (-1, +1)
0xc2	7-0	MTO<15:8>	0x00	

KT (R/W)

Addr	Bit	Register name	Default	Description
0xc3	7-0	KT<15:8>	0x00	Sensor calibration coefficient: sensitivity coefficient of external temperature sensor, KT: LSB=1/2 ¹² , RANGE (-8, +8)
0xc4	7-0	KT<15:8>	0x00	

DAC_OFF (R/W)

Addr	Bit	Register name	Default	Description
0xc5	7-0	DAC_OFF<15:8>	0x00	DAC calibration coefficient: DAC offset LSB=1/2 ¹⁵ , RANGE (-1, +1)
0xc6	7-0	DAC_OFF<7:0>	0x00	

DAC_GAIN (R/W)

NSA2860X

Addr	Bit	Register name	Default	Description
0xc7	7-0	DAC_GAIN<15:8>	0x00	DAC calibration coefficient: DAC gain coefficient, LSB=1/2 ¹⁶ , RANGE (-0.5, +0.5)
0xc8	7-0	DAC_GAIN<7:0>	0x00	

PADC_OFF (R/W)

Addr	Bit	Register name	Default	Description
0xc9	7-0	PADC_OFF<23:16>	0x00	PADC calibration coefficient: PADC offset, LSB=1/2 ²³ , RANGE (-1, +1)
0xca	7-0	PADC_OFF<15:8>	0x00	
0xcb	7-0	PADC_OFF<7:0>	0x00	

PADC_GAIN (R/W)

Addr	Bit	Register name	Default	Description
0xcc	7-0	PADC_GAIN<15:8>	0x00	PADC calibration coefficient: PADC gain, LSB=1/2 ¹⁶ , RANGE (-0.5, +0.5)
0xcd	7-0	PADC_GAIN<7:0>	0x00	

P0 (R/W)

Addr	Bit	Register name	Default	Description
0xce	7-0	P0 <7:0>	0x00	Sensor calibration coefficient: reference pressure point for nonlinearity calibration, LSB=1/2 ⁷ , RANGE((-1, 1)

SPARE (R/W)

Addr	Bit	Register name	Default	Description
0xcf	7-0	SPARE1<7:0>	0x00	SPARE Register 1
0xd0	7-0	SPARE2<7:0>	0x00	SPARE Register 2
0xd1	7-0	SPARE3<7:0>	0x00	SPARE Register 3
0xd2	7-0	SPARE4<7:0>	0x00	SPARE Register 4
0xd3	7-0	SPARE5<7:0>	0x00	SPARE Register 5
0xd4	7-0	SPARE6<7:0>	0x00	SPARE Register 6
0xd5	7-0	SPARE7<7:0>	0x00	SPARE Register 7
0xd6	7-0	SPARE8<7:0>	0x00	SPARE Register 8

PDM_FREQ (R/W)

Addr	Bit	Register name	Default	Description
0xd7	7-6	DIG_GAIN<1:0>	2'b00	ADC digital gain 00:1X, 01:2X, 10:4X, 11:8X
	5-4	PDM_FREQ<1:0>	2'b00	PDM modulation frequency, 00: 19.2kHz, 01: 38.4kHz, 10: 76.8kHz, 11: 153.6kHz
	3-0	Reserved	2'b00	

RESERVED

NSA2860X

Addr	Bit	Register name	Default	Description
0xd8	7-0	RESERVED	-	NOVOSENSE Information

EEPROM_LOCK (R/W)

Addr	Bit	Register name	Default	Description
0xd9	7	EEPROM_LOCK	1'b0	1: EEPROM lock, set 1 and then EEPROM can't be programmed. (Won't be effective until next power on reset or soft reset after EEPROM is programmed)
	6 – 0	PartID (read only)	7'b0000001	NOVOSENSE chip ID.

4.0 FUNCTION DESCRIPTION

The NSA2860X is a highly integrated sensor conditioner for voltage output sensors like Wheatstone bridge pressure sensor, thermocouple and RTD. The chip incorporates five parts: analog front-end module, digital module, analog output module, power supply module and serial interfaces. The block diagram of the NSA2860X is shown in Figure 4.1.

Analog front-end module includes a primary signal measurement channel with an instrumental amplifier followed by a 24-bit $\Sigma\Delta$ ADC, a temperature measurement channel with also a 24-bit $\Sigma\Delta$ ADC, for precision sensor signal measurement.

The digital module is composed of registers, EEPROM, control logic, and a built-in MCU. The sensor calibration algorithm is implemented with the built-in MCU and can supports up to 2nd order temperature drift compensation of offset and sensitivity for the sensor. It can also compensate the nonlinearity of sensor output up to 3rd order. The configuration parameters and coefficients for calibration are stored at in the EEPROM of 57 bytes.

The analog output module includes a 16-bit DAC and a flexible configurable output driver which can be configured to support several voltage output modes, 4~20mA current loop mode, PDM output and PWM output. The power supply module includes a sensor voltage driver, a pair of current sources and a high voltage JFET regulator. The NSA2860X supports three serial interfaces: SPI, I2C and OWI, writing and reading registers of configuration, calibration coefficients and data.

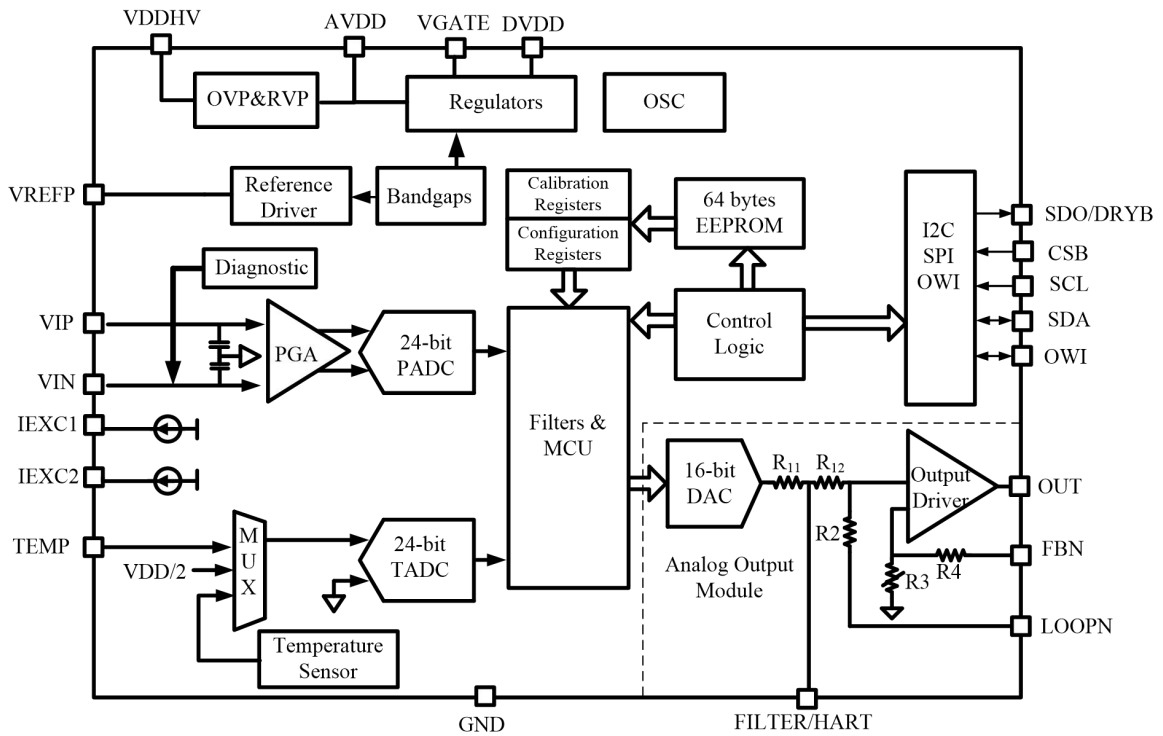


Figure 4.1 Block diagram of the NSA2860X

4.1. ANALOG FRONT-END MODULE 1: PRIMARY SIGNAL CHANNEL

The primary signal measurement channel includes an instrumental PGA, 24-bit sigma-delta ADC (PADC) followed by digital filters.

4.1.1. PGA+PADC

The PGA is a gain programmable instrumental amplifier, with its gain configurable to 1X, 2X, 4X, 6X, 8X, 16X, 24X, 32X, 48X, 64X, 96X, 128X, 192X, 256X. The NSA2860X has built-in RFI filter for RFI immunity enhancement.

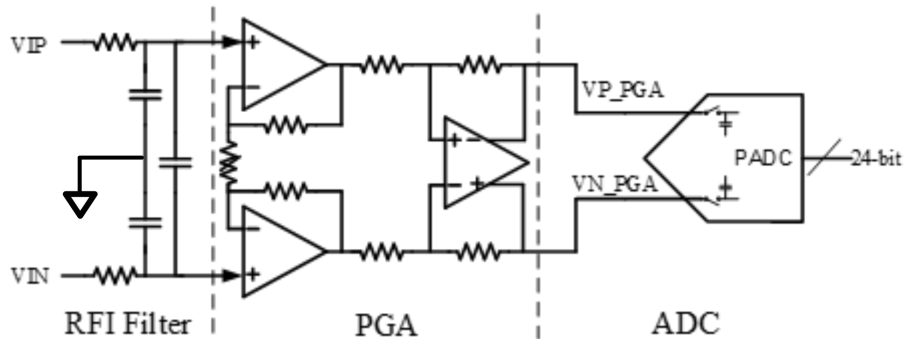


Figure 4.2 Primary signal channel (PGA+ADC)

The PADC performs the analog to digital conversion. The output of the ADC is digital filtered with 24-bit resolution. The reference voltage of the ADC is VREF, and the allowable differential input range is $\pm VREF/GAIN_P$. The PADC output can be expressed by the following equation:

$$PDATA_{RAW} = \frac{VIP - VIN}{VREF} * GAIN_P * 2^{23}$$

PDATA_{RAW} can be read out from 'PDATA' registers (Reg0x06-Reg0x08) only when 'RAW_P' is set to 1, otherwise, the built-in MCU calibrates the sensor using the calibration coefficients and temperature data stored in 'TDATA' and put the calibrated digital output of the primary channel onto the 'PDATA' registers.

4.1.2. The input common-mode voltage of PGA

The PGA is of differential input and differential output. The output voltages of the PGA can be express as:

$$VP_PGA = VCM_{in} + GAIN_P * VD_{in} / 2$$

$$VN_PGA = VCM_{in} - GAIN_P * VD_{in} / 2$$

, in which VCM_{in} and VD_{in} are the common-mode voltage and differential voltage of the PGA input voltage. To avoid the saturation of the amplifiers, both VP_PGA and VN_PGA should meet the follow limitation:

$$AGND+0.1V < VP(N)_PGA < AVDD-0.1V$$

From above, the input common-mode voltage should satisfy following limitation:

$$AGND+0.1V+GAIN_P*VD_{in}(max)/2 < VCM_{in} < AVDD-0.1V-GAIN_P*VD_{in}(max)/2$$

Besides, the input of the PGA amplifiers is PMOS transistor so the PGA input should meet:

$$VIP(N) < AVDD - 1V$$

For voltage-driven bridge sensors, the common-mode voltage of its output is usually close to VREF/2. One can easily meet the limitation by choosing a proper 'GAIN_P' and make VD_{in}(max) < 0.8*VREF/GAIN_P. '0.8' here is considered to give some margin for the sensor sensitivity and the amplifier voltage swing. For current-driven sensors, more careful settings is needed to maximize the dynamic range of the PADC.

4.1.3. Digital filter

The bandwidth and output data rate (ODR) of the digital filter can be set by 'ODR_P'. ODR can be set from 2.4 KHz to 2.5 Hz. The lower ODR, the lower noise the PADC output will have, in the cost of slower time response. Table 4.1 shows the effective number of bits (ENOB) of PADC output with different ODR_P settings. The relationship of ENOB with RMS noise is:

$$ENOB_{RMS} = 24 - \log_2(RMS_{ADC})$$

RMS_{ADC} is the RMS value of ADC output noise in LSB. The relationship between RMS ENOB (ENOB_{RMS}) and noise free ENOB (ENOB_{NF}) is shown as below:

$$ENOB_{NF} = ENOB_{rms} - 2.7$$

Table 4.1 ENOB_{RMS} of PADC under different ODR settings (VREF=3.6V, 'SYS_CHOP_EN'=0)

ODR (Hz)	GAIN														
	1	2	4	6	8	12	16	24	32	48	64	96	128	192	256
2400	17.9	18.0	17.8	17.8	17.8	17.6	17.8	17.7	17.6	17.5	17.3	16.9	16.5	16.1	15.6
1200	18.3	18.4	18.3	18.3	18.2	18.2	18.2	18.0	18.0	17.8	17.5	17.2	16.8	16.3	16.0
600	18.7	18.6	18.5	18.7	18.6	18.6	18.6	18.4	18.4	18.1	17.9	17.6	17.1	16.7	16.3
300	19.0	18.9	19.0	19.0	18.8	18.9	18.8	18.8	18.6	18.6	18.3	18.0	17.6	17.1	16.7
150	19.7	19.5	19.7	19.6	19.6	19.6	19.6	19.4	19.3	19.0	18.9	18.5	18.0	17.6	17.2
75	20.7	20.9	20.6	20.6	20.7	20.6	20.4	20.1	20.1	19.8	19.5	19.0	18.6	18.1	17.7
37.5	21.2	21.4	21.1	21.1	21.0	21.0	21.0	20.8	20.7	20.3	20.0	19.6	19.2	18.7	18.3
18.75	21.8	21.9	21.5	21.7	21.6	21.6	21.4	21.3	21.2	20.8	20.5	20.1	19.7	19.2	18.8
10*	22.3	22.3	22.0	22.1	22.1	22.1	22.0	21.8	21.6	21.2	21.0	20.5	20.1	19.6	19.2
5*	22.7	22.7	22.5	22.6	22.6	22.5	22.4	22.3	22.0	21.7	21.3	21.0	20.6	20.1	19.7
2.5*	23.0	23.1	23.0	23.0	23.0	22.9	22.9	22.7	22.5	22.1	21.8	21.5	21.1	20.6	20.2

*For ODR of 10Hz, 5Hz and 2.5Hz, two filter settings can be selected but with the same ENOB_{RMS}

*When ODR_P ≤ 10Hz, the 50 or 60Hz notch filter will be activated. User can choose the proper notch filter for different applications. The error of the clock rate is designed to be less than 1% to minimize the effect to notch filter ability.

4.1.4. System Chopping

When 'SYS_CHOP_EN' =1, the system chopping mode of primary signal channel is enabled. When this mode is used, the input-referred offset of the primary signal channel can be very small. Meanwhile, the system chopping can also improve the immunity of RFI/EMI. ENOB will be 0.5-bit higher when system chopping is enabled with the actual ODR is about half of the setting ODR_P when ODR_P <=600Hz. For ODR_P >600Hz, the actual ODR is 1/4 of setting ODR_P at minimum.

4.2. ANALOG MODULE 2: TEMPERATURE MEASUREMENT CHANNEL

The temperature measurement channel is to measure the working temperature of the sensor for the temperature compensation of the sensed signal. This channel works independently of the primary channel. The NSA2860X supports both internal temperature sensor and external temperature sensor, selected by register bit 'EXT_TEMP' bit. The temperature sensor's output is digitized by a 24-bit ADC (TADC) and also digital filtered. The ODR setting of the temperature measurement channel is the same as the primary signal channel, set by 'ODR_T'. When the temperature difference between the sensor element and the NSA2860X chip is acceptable, internal temperature sensor can be used. Otherwise, a proper external temperature measurement scheme should be chosen, such as diode, RTD, NTC or the bridge resistor itself, etc. Through different 'RAW_T' setting, either the direct TADC data or the calibrated temperature data can be read from 'TDATA' registers.

4.2.1. Internal temperature sensor

The internal temperature sensor is factory calibrated, with its calibration coefficients stored at EEPROM registers reg0xC1, reg0xC2 and reg0xC3. When 'RAW_T' is set to 0 and 'GAIN_T' is set to 4X, the NSA2860X can provide a temperature reading in degree Celsius, in the format of

$$T = TDATA / 2^{16} + 25\text{ }^{\circ}\text{C}$$

For example, 'TDATA=0x1FF24B' corresponding to 56.95°C. The relationship between the noise of the internal temperature sensor and 'ODR_T' setting is shown in Table 4.2.

Table 4.2 RMS Noise of Internal Temperature Sensor under different ODR_T

ODR (Hz)	2400	1200	600	300	150	75	37.5	18.75	10	5	2.5
RMS Noise in °C	0.0079	0.0060	0.0045	0.0038	0.0032	0.0020	0.0015	0.0011	0.0008	0.0008	0.0007

4.2.2. External temperature sensor

When external temperature sensor mode is selected, the temperature sensing signal input from the TEMP pin is buffered for TADC conversion. The reference voltage of the TADC is also VREF. The gain of the TADC can be 1X, 2X and 4X. The relationship between TDATA_{RAW} and the temperature input is

$$TDATA_{RAW} = VTEMP * GAIN_T / VREF * 2^{23}$$

When RAW_T = 0, the built-in MCU calibrated the offset, sensitivity and nonlinearity of the measured temperature signal. Please refer to application note: AN: Sensor Calibration for the NSA2860/9260 for the detail of the calibration description. The external temperature sensing can be done in many ways, including NTC, RTD, diode and sensor bridge resistance itself. Figure 4.3 gives an example using a low TC drift resistor to sense the bridge resistance, which is usually proportional to the temperature of the sensor element. In case the bridge sensor is current driven, the bridge voltage can be used as temperature sensing input directly.

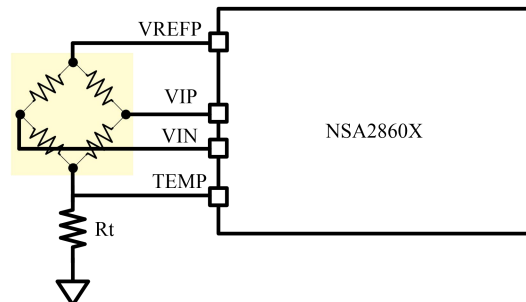


Figure 4.3 External temperature sensing using sensor bridge and a reference resistor

The output data rate of TADC can be set by 'ODR_T', similar as the primary signal channel. The relationship between ODR_T and the ENOB of TADC is shown in Table 4.3.

Table 4.3 ENOB of TADC under different ODR_T (External temperature sensor mode)

ODR_T (HZ)	ENOB		
	GAIN_T=1	GAIN_T=2	GAIN_T=4
2400	17.7	17.5	16.9
1200	18.1	17.9	17.2
600	18.5	18.1	17.2
300	18.8	18.3	17.4
150	19.1	18.5	17.6
75	19.5	18.9	18.0
37.5	19.4	18.6	17.6
18.75	19.9	18.7	18.1
10	20.2	19.4	18.5
5	20.2	19.6	18.5
2.5	20.9	19.9	18.8

4.3. ANALOG OUTPUT STAGE

The analog output stage of the NSA2860X consists of a 16-bit DAC and an output buffer with feedback network. Through register configuration and external connection, the NSA2860X provides a lot of output modes such as absolute voltage output (0~5V, 0~3.3V, 0~1.2V), ratiometric voltage output (0~AVDD), 0~10V voltage output, PDM output, PWM output, 4~20mA current loop. The output mode of analog output stage can be configured by 'OUT_MODE' registers, which is an independent configuration from analog front-end ADC.

4.3.1. 16-bit DAC

The voltage output of the DAC is expressed by the following equation,

$$V_{OUT} = \frac{DAC_DATA < 15 : 0 >}{2^{16}} * VFSDAC$$

'DAC_DATA' stores the DAC input data in unsigned format. VFSDAC is DAC full scale range, which is configured by 'DAC_REF'. When 'RAW_P' = 0, the 'DAC_DATA' is updated by the internal MCU with the calibrated output data. The DAC full scale range is clamped by the clamping voltage configured by 'CLAMP_HIGH' and 'CLAMP_LOW'.

The low clamping voltage is defined by the following equation,

$$V_{OUT_LOW} = \frac{CLAMP_LOW < 7 : 0 >}{2^9} * VFSDAC$$

The high clamping voltage is defined by the following equation,

$$V_{OUT_HIGH} = (1 - \frac{CLAMP_HIGH < 7 : 0 >}{2^9}) * VFSDAC$$

When 'RAW_P'= 1, the 'DAC_DATA' stops updating internally, but can be configured externally through serial interface, and the offset error and full scale range error of analog output stage should be also measured and calibrated externally. In this case, the 'DAC_BLANK' bit should be used to erase the glitch generated during the 'DAC_DATA' updating. Set 'DAC_BLANK' bit 1 before refreshing the 'DAC_DATA', and 0 after that.

The DAC output noise can be reduced by a low-pass RC filter, which is comprised by the internal 120Kohm resistor and external capacitor between FILTER/HART pin and GND pin. For example, a 47nF external capacitor will limit the signal bandwidth as low as 30Hz. However, in some fast response application, smaller external filtering capacitor should be chosen.

4.3.2. Voltage output

When OUT_MODE=000b, analog output stage is configured as voltage output mode. A class-AB output buffer is used to drive large load and the OUT pin and FBN pin should be shorted together as shown in Figure 4.4. The gain of output buffer

is configured by 'DAC_REF' to provide several types of full scale output range, such as absolute output (0~5V, 0~3.3V, 0~1.2V) and ratiometric output (0~AVDD), as listed in Table 4.4. The internal bandgap reference is used for absolute output.

Table 4.4 'DAC_REF' and output mode

DAC_REF<1:0>	Output Mode	Output Voltage Range
2'b00	Absolute	0~5V
2'b01	Absolute	0~3.3V
2'b10	Absolute	0~1.2V
2'b11	Ratiometric	0~AVDD

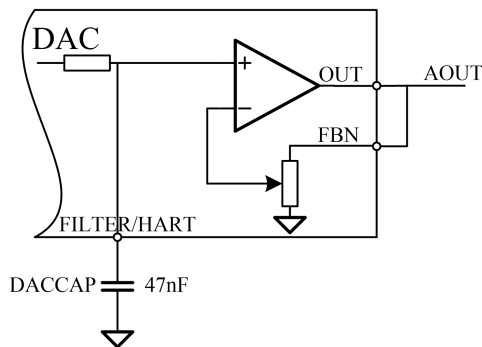


Figure 4.4 Configuration for voltage output mode

0~10V full scale output range is also available as shown in Figure 4.5 with a few external components, where DAC_REF<1:0>= 2'b00.

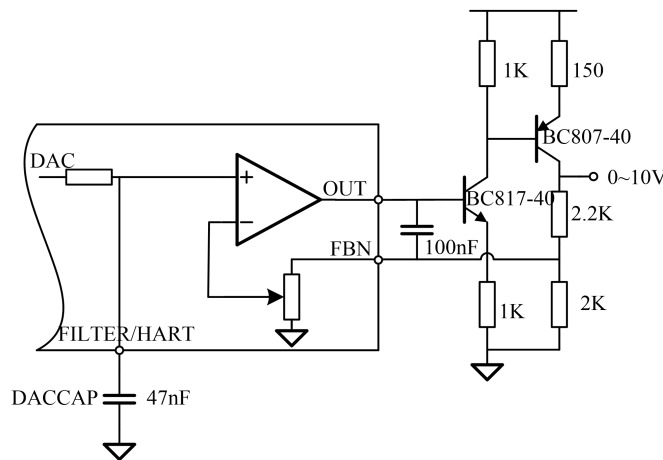


Figure 4.5 Configuration for 0~10V output mode

4.3.3. 4~20mA current loop

When OUT_MODE=01xb and DAC_REF<1:0>=00b, analog output stage is configured as 4~20mA current loop mode. Internal bandgap reference with very low temperature drift is used for DAC reference. When using 50ohm external reference resistor, the loop current can be expressed as followed,

$$I_{LOOP} = \text{DAC_DATA}<15:0> / 2^{16} * 24\text{mA}$$

NSA2860X

The loop current transfer function is also shown in Figure 4.7. The minimum of I_{LOOP} is about 1.7mA, which is determined by the self-operation current of the NSA2860X. To not exceed 4mA lower limit for 4~20mA current loop, the total current consumed by the NSA2860X and sensor element should be less than 3.3mA.

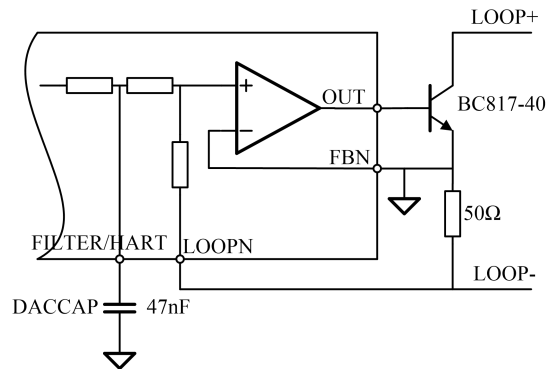


Figure 4.6 Configuration for 4~20mA current loop mode

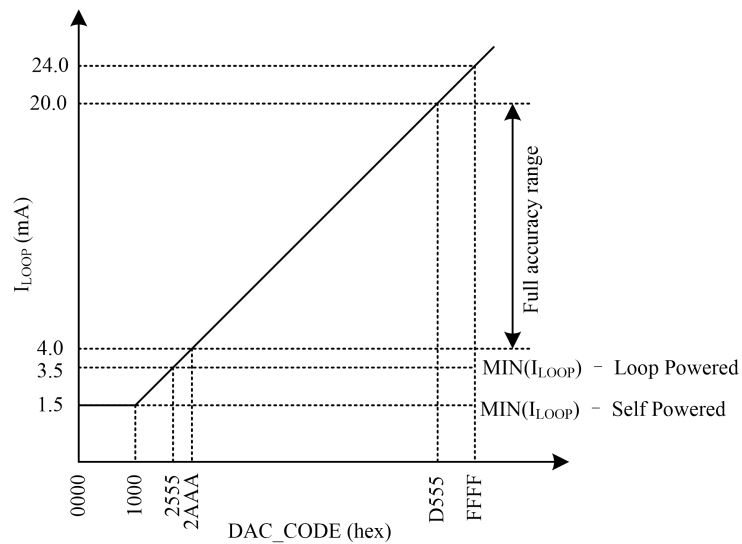


Figure 4.7 Loop current transfer function

The FILTER/HART pin can not only be used for noise filtering, but also for HART communication in current loop mode. As shown in Figure 4.8, the 500mV_{pp} HART signal can be modulated into current loop as 1mA_{pp} current through a 470pF capacitor.

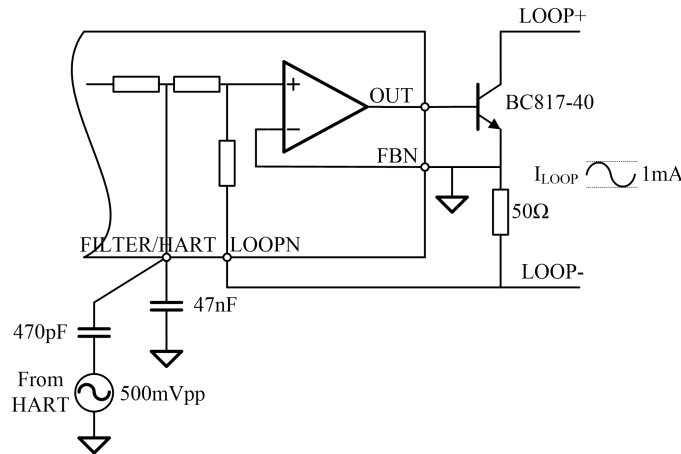


Figure 4.8 Configuration for HART communication

4.3.4. PDM

When 'OUT_MODE' = 100b, analog output stage is configured as PDM output mode, The 'DAC_DATA' is converted to 1 bit PDM single by a 1-order modulator internally and outputted through OUT pin. An external RC filter should be connected to OUT pin to filter the PDM signal to analog voltage. Digital isolation output can also be realized by external level shifter and isolation device. 'PDM_FREQ' is used to set the PDM output frequency. The equivalent output resistance at OUT pin is about 20ohm. As a result, when using external RC filter, the equivalent resistance load should be less than 20Kohm as to make sure the output error is less than 1%. Two-stage low pass RC filter in series is recommended as shown Figure 4.9. Some RC filter examples are provided in Table 4.5.

Table 4.5 RC filter examples for PDM output

R1 (kOhm)	C1 (nF)	R2 (kOhm)	C2 (nF)	Ripple (mV/V)	0~90% Settling Time(us)
100	22	100	22	0.12	14
100	100	0	0	2.5	24
100	220	0	0	1.2	50

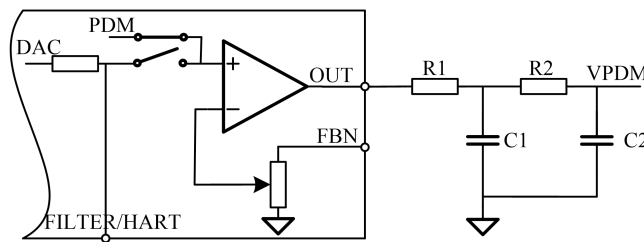


Figure 4.9 RC filter for PDM output

4.3.5. PWM

Both primary signal channel and temperature measurement channel support PWM output.

When 'OUT_MODE'=101b, primary channel output data will present on the OUT pin in the PWM format. The PWM carrier frequency is fixed at 300Hz, and the PWM output duty cycle is decided by DAC_DATA<15:4> with 12-bit resolution.

$$\text{PWM Duty Cycle of Primary Channel} = \text{DAC_DATA}[15:4]/4096$$

When 'TOUT_EN'= 1 and the chip is not in OWI mode, the OWI pin is used as the output pin for Temperature Channel data in PWM format and the PWM output duty cycle is defined as follow:

$$\text{PWM Duty Cycle of Temperature Channel} = \text{TDATA}<23:12>/4096$$

4.4. POWER MANAGEMENT AND SENSOR DRIVE

The NSA2860X internally includes a precision bandgap reference with very low temperature drift, less than 0.1% during full temperature range (-40~85°C). This reference voltage is used in the constant voltage or current driving circuits for sensors, JFET regulator, clock generator and ADC/DAC etc.

4.4.1. Sensor Driver

4.4.1.1. Constant Voltage Drive

The VREFP pin can provide a constant voltage to drive the bridge sensors, which is also the reference voltage for PADC and TDAC (in external Temperature Sensor Mode). The constant driving voltage can be selected either 3.6V or 2.5V via the EERPOM register bit 'VREF_LVL'. When 'VREF_DIS' = 1, VREFP pin can be driven from the external reference voltage.

When TADC is activated (ODR_T ≠ 1111b), the negative reference voltage (VREFN) for PADC is internally connected to GND and When TADC is disabled (ODT_T = 1111b), the negative reference voltage (VREFN) for PADC is driven externally through TEMP pin.

4.4.1.2. Constant Current Drive

A pair of constant current sources is available for current-driven pressure sensors, RTD sensors and external diode temperature sensors. The constant driving current can be configured with internal or external reference resistor as shown in Figure 4.10. When 'IEXC2' ≠ 1111b, an internal reference resistor is used and the current output through IEXC1 and IEXC2 pins are separately configured by 'IEXC1' and 'IEXC2' with the mismatch less than 1%.

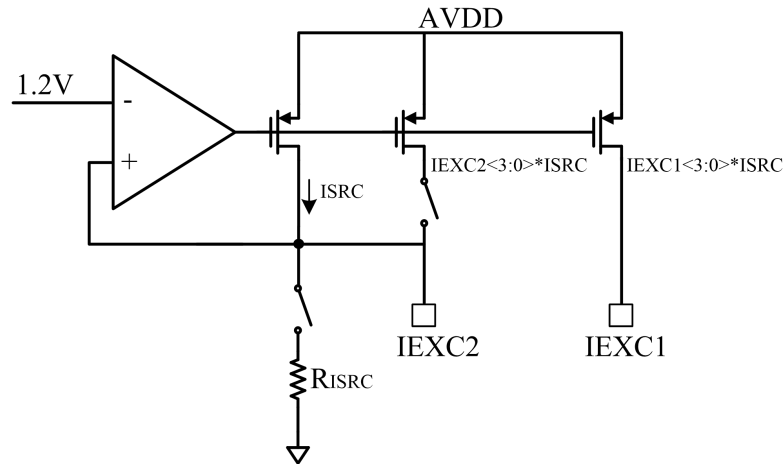


Figure 4.10 Constant Current Driver

When 'IEXC2'=1111b, external reference resistor is applied at IEXC2 pin instead of internal reference resistor. The temperature drift of current source will be smaller when using accurate reference resistor externally. The current source is only available at IEXC1 pin, which is equal to $IEXC1<3:0>*1.2V/R_{ISRC_EXT}$.

4.4.2. JFET regulator

By tuning the gate of external JFET (for example, BSS169) through VGATE pin, the JFET regulator integrated in the NSA2860X can convert the external high voltage supply to 5V (JFET_LVL=0) or 3.3V (JFET_LVL=1) and supply it to the AVDD pin (Figure 4.11). An external NPN bipolar (for example, BCX5610) with a 50Kohm resistor is also OK for this regulation in case the high voltage supply is higher than 8V (Figure 4.12).

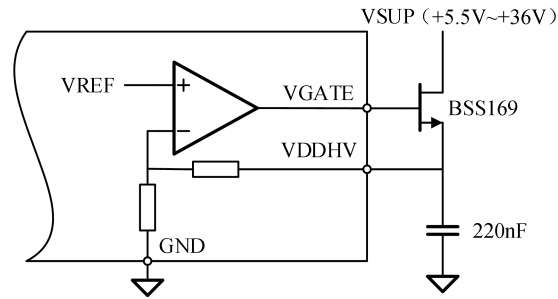


Figure 4.11 Regulation with external JFET

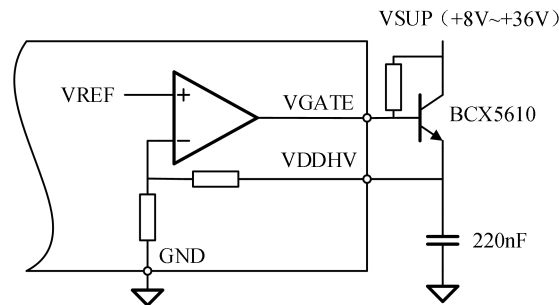


Figure 4.12 Regulation with external NPN Bipolar

4.4.3. Internal LDO

A 1.8V LDO is integrated in the NSA2860X to provide power supply for the internal digital circuits. A 100nF decoupling capacitor should be connected at DVDD pin externally.

4.4.4. Power on Reset

A POR block is integrated in the NSA2860X for power on reset and EEPROM loading. When $AVDD < 2.5V$, the chip is in reset state. After $AVDD > 2.5V$, the POR output is released and EEPROM is loaded afterwards. The POR circuits have 100mV hysteresis, that is, the chip won't go into the reset state again until the $AVDD$ is dropped as low as 2.4V.

4.5. BUILD-IN MCU CORE AND CONTROL LOGICS

4.5.1. Work Modes

Two Different work modes are supported by the NSA2860X, command mode and active mode, which can be configured by the register 'CMD' (Reg0x30).

4.5.1.1. Command Mode

The command mode can be entered by writing the register 'CMD' with 0x00, which is used for configuring the chip outside. All the EEPROM registers (from Reg0xA1 – Reg0xD9) can only be modified in this mode.

4.5.1.2. Active Mode

The active mode is the default mode after powering up, which can also be entered by writing the register 'CMD' with 0x03. In this mode, the primary measurement channel and the temperature channel continuously update their measured values into the 'PDATA' or 'TDATA' registers, and the selected output mode will be activated simultaneously. When the register bit 'RAW_P/T' = 1, the ADC conversion results will be put into the 'PDATA' or 'TDATA' directly, otherwise, every time the primary measurement channel ADC conversion ends, the build-in MCU core does once sensor calibration flow with the latest temperature value measured. When the register bit 'INT_EN' = 1, the SDO_DRDYB pin is used to indicate that a new data is ready for reading via the serial interface with an active low voltage level, and this pin will come back to high level after the data reading or about 100us before next new data's coming.

Even without the SDO_DRDYB pin, the shadow registers inside the NSA2860X can also guarantee a non-glitch reading by keeping the 'PDATA' and 'TDATA' registers stable during once serial interface reading. Note that, the multiple bytes of one measured data should be read out together in once multi-byte serial interface reading command.

4.5.2. EEPROM

57 bytes EEPROM is contained in the NSA2860X to store the chip configurations and sensor calibration coefficients.

4.5.2.1. Loading

The contents of the EEPROM will be loaded into the EEPROM registers automatically after power up or soft-reset with the CRC checking. If the calculated CRC result does not match with what stored in the EEPROM, the 'CRC_ERROR' bit will be set and the analog output state will be decided according to the fault diagnostic and alarm configurations. Another status register bit 'LOADING_END' will be set after the loading completes.

4.5.2.2. Programming

Writing EEPROM registers will not program the EEPROM directly. The contents of the EEPROM registers will be programmed into the EEPROM by following sequence:

1. Set the register byte 'COMMAND' (Reg0x30) with 0x33, to enter EEPROM programming mode;
2. Writing the register byte 'EE_PROG' (Reg0x6A) with 0x1E, to start EEPROM programming.

During EEPROM programming, a new CRC check code will be generated according to the contents of the EEPROM registers and will be programmed to the EEPROM simultaneously. The content of the 'EE_PROG' register will automatically come back to 0x00 to indicate the programming is done. A re-powering up or soft-reset is needed to reload the EEPROM contents back to the EEPROM registers to check the programmed value.

4.5.2.3. Lock and Unlock

The EEPROM inside the NSA2860X can be locked by setting the 'EEPROM_LOCK' bit then programming it into the EEPROM. After locked, the EEPROM cannot be programmed again, and only a special EVA-kits provided by NOVOSENSE can unlock it.

4.5.3. Build-in MCU Core

The NSA2860X is integrated with a built-in MCU core, which performs the signal processing, sensor calibration, EEPROM loading and programming etc. The MCU's program code is pre-stored in the internal ROM, which cannot be modified by customers. Please contact NOVOSENSE if a customized MCU program code is needed.

4.5.4. Calibration

The calibration flow inside the NSA2860X is divided into two steps. The first is the DAC calibration, which can erase the offset and sensitivity error induced by the DAC block during voltage or current output mode. The other is sensor calibration, which can compensate the sensor with offset, sensitivity, up to the 2nd order offset temperature drift, up to the 2nd order sensitivity temperature drift, up to the 3rd order non-linearity, and the totally calibration error is less than 0.1% of the full span. Please refer to application note *AN: Sensor Calibration for the NSA2860X* for details

4.6. FAULT DETECTION AND ALARM

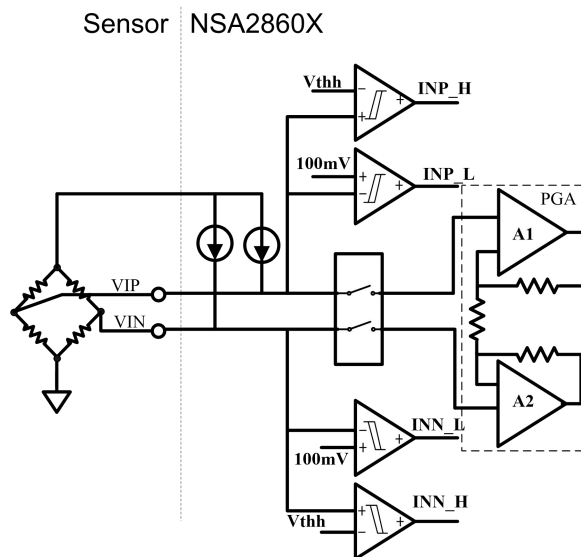


Figure 4.13 Fault diagnostic

4.6.1. Fault Detection

Setting register bit 'BURNOUT_EN'1 enables the fault diagnostics. When diagnostics is enabled, a pair of 100nA burnout current sources is applied to the input of the primary signal channel. Four comparators will be activated to monitor the input voltages. Two comparators compare the input voltage to 100mV and the other two comparators compare the input voltages to upper limit level VTHH. VTHH depends on register bit 'VREF_DIS'. If 'VREF_DIS' = 0, VTHH = VEXT-100mV, otherwise VTHH = AVDD-1.1V. If any of the comparator output is asserted, fault is detected and reported in the 'STATUS' register (reg0x02).

4.6.2. Alarm

If any fault is detected and register bit 'FAULT_ON' is set to 1, the alarm function of the NSA2860X will be triggered. The output will be forced driven to close to GND or AVDD if it is not in current loop mode. Register bit 'FAULT_LVL' is used to set fault level to pulling down to 'GND' ('FAULT_LVL' = 0) or pulling up to 'AVDD' ('FAULT_LVL' =1). If it is in current loop output mode, the loop current will be forced to 3.375mA ('FAULT_LVL' = 0) or 21.75mA ('FAULT_LVL' =1). Together with the clamping function, fault can be easily distinguished from signal saturation.

5.0 SERIAL INTERFACE

Three different serial interfaces (OWI, SPI and I2C) are supported in the NSA2860X to configure registers, program EEPROM and pulling measured data. When register bit 'OWI_WINDOW' = 0, the time between 10ms and 80ms after powering up is defined as the OWI entering window. If a special 24 bits OWI entering pattern is detected via OWI pin in this window, the chip enters OWI communication mode, otherwise enters I2C or SPI communication mode. Then, CSB pin is used to further select between I2C and SPI methods, high voltage level or floating indicates the I2C method, low voltage level indicates the SPI method. When 'OWI_WINDOW' = 1, the OWI window becomes infinite length.

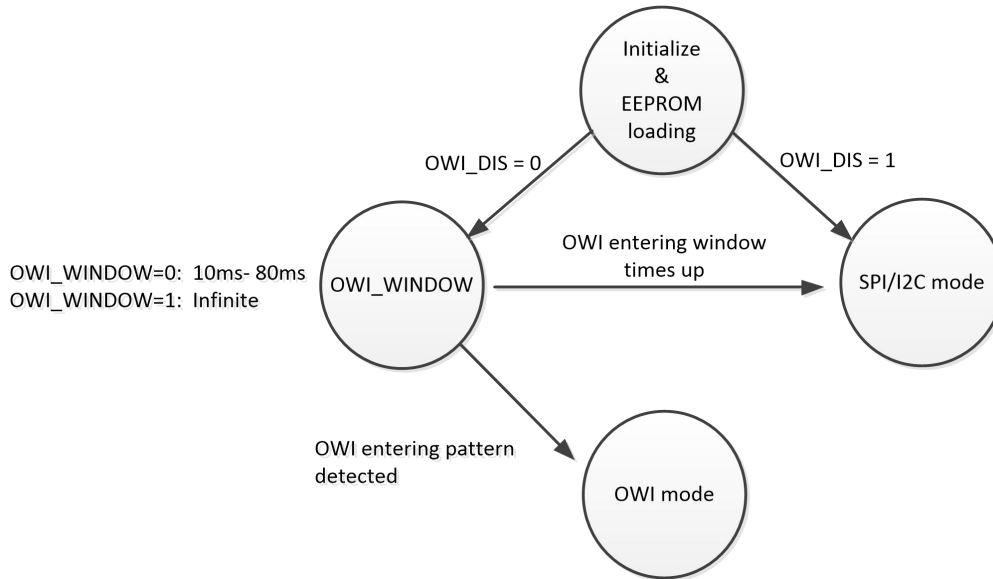


Figure 5.1 Definition of serial communication mode

5.1. OWI PROTOCOL

The NOVOSENSE self-owned One Wire Interface (OWI) protocol integrated in the NSA2860X can support serial communication under all 0-5V, 0-10V and 4-20mA output modes with no extra communication wires added. This protocol identifies the data bit transferred by the duty cycle of one rising-to-rising period. Duty cycle more than 5/8 means a logical 1, and less than 3/8 means a logical 0.

5.1.1. Timing Spec

Table5.1: OWI Timing Spec

Symbol	Description	Condition	Min.	Typ.	Max.	Unit
--------	-------------	-----------	------	------	------	------

t_{period}	OWI bit period		20		4000	Us
t_{pulse_0}	Duty cycle for 0		1/8	1/4	3/8	t_{period}
t_{pulse_1}	Duty cycle for 1		5/8	3/4	7/8	t_{period}
t_{start}	Start low pulse time		20		4000	Us
t_{stop}	Stop condition time		2			t_{period}

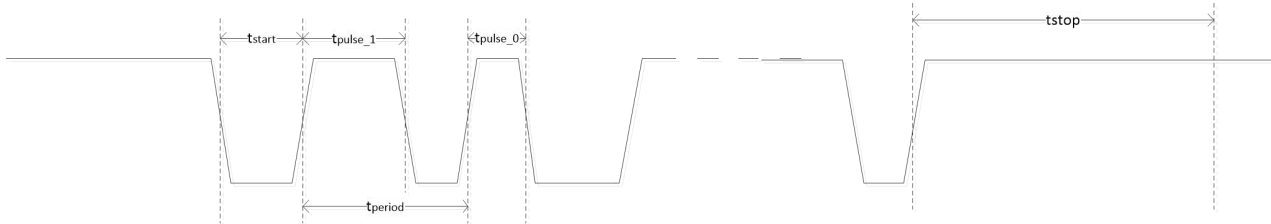


Figure 5.2 OWI Timing

5.1.2. Enter OWI Mode

If 'OWI_WINDOW' = 0, the time between 10ms and 80ms after powering up is OWI entering window. If a special 24 bits OWI entering pattern (0xB5A6C0, as shown below) is detected via OWI pin in this window, the chip enters OWI communication mode. Under this setting, the OUT pin is disabled during the OWI window and OWI mode; the OWI pin and the OUT pin can be shorted together to support 3-wire sensor products.

If 'OWI_WINDOW' = 1, the OWI window's length becomes infinite, the OUT pin is activated during OWI window and OWI mode, and the OWI pin and OUT pin cannot be shorted together.

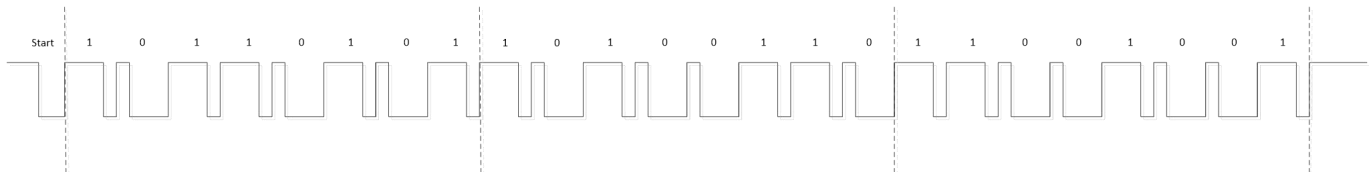


Figure 5.3 OWI Entering Pattern

In OWI communication, the bit period is determined by the period of the last bit of OWI entering pattern, and cannot be changed during the entire communication, so the bit period during OWI communication should keep the same as the OWI entering pattern.

5.1.3. OWI Protocol

The OWI protocol used is defined as follows:

a) Idle State

During inactivity of the bus, OWI line is pulled-up to high voltage level.

b) Start Condition

When OWI line is in idle state a low pulse (return to high) with a pulse width between 20us to 4ms indicates a start condition. Every command has to be initiated by a start condition sent by the master. The master can only generate the start condition when the OWI line is in idle state.

c) Stop Condition

After the write or read operation ends, the bus comes back to the idle state automatically. During any time of a transmission, the bus can be set back to the idle state by forcing the OWI line constant high or low voltage level for at least two times of the bit period (tBperiod)

d) Addressing

After the start condition, the master sends the addressing information, consisting of an 8-bit register address (MSB first), 2-bit byte number (NO. bits) and a read/write-bit (0–write, 1–read). The register address indicates which register you will write into or read from; the byte number indicates how many bytes will write/read continuously: 00: 1 byte, 01: 2 bytes, 10: 3 bytes, 11: 4 bytes; the read/write-bit indicates it a read operation (0) or write operation (1).

e) Write Operation

During transmission from master to slave (WRITE), the read/write bit is followed by 1/2/3/4 bytes (according to the byte NO. bits) transmitted data (MSB first), and the addressed register and follows will be refreshed to the written data after a stop condition.

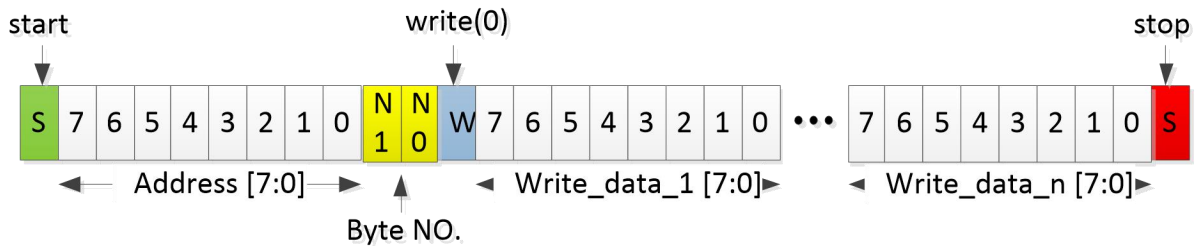


Figure 5.4 OWI Write Operation

f) Read Operation

During transmission from slave to master (READ), the master should set its OWI port as input after the read/write bit is sent, then the slave begins to transmit 1/2/3/4 bytes (according to the byte NO. bits) data (MSB first), which is contented in the addressed register and follows. Each data bytes include 8 bits of data and 2 bits of parity check code C1 and C0.

$$C1 = \text{Read_data}[7] \wedge \text{Read_data}[5] \wedge \text{Read_data}[3] \wedge \text{Read_data}[1];$$

$$C0 = \text{Read_data}[6] \wedge \text{Read_data}[4] \wedge \text{Read_data}[2] \wedge \text{Read_data}[0];$$

The master can check the transmission with the parity check code. After all data bytes transmitted, the slave goes back to idle state automatically.

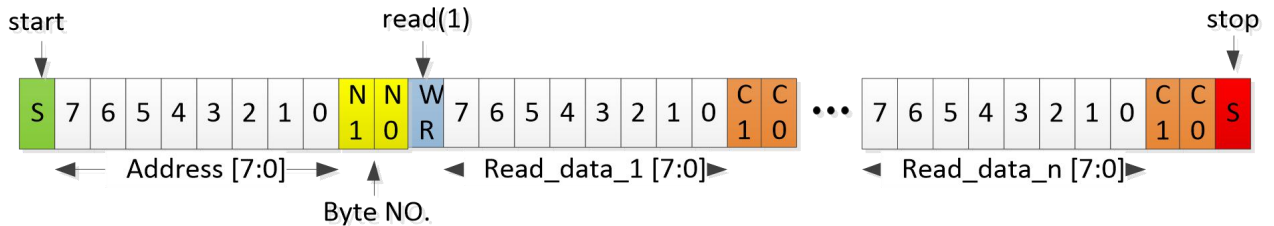


Figure 5.5 OWI Read Operation

5.1.4. Pins and configurations

Two pins (OWI and OUT) and two register bits (OWI_AC_EN and OWI_WINDOW) are related to the OWI communication. Different applications can be supported via different configurations. Please refer to Table 5.2 for details.

OWI_AC_EN: 0, single-port communication method with the OWI pin used for both input and output port, which is typically used in 0-5V analog output products. 1, dual-port communication method with the OWI pin as the slave input port and the OUT pin as the slave output port; this method is typically used in the 0-10V and 4-20mA products

OWI_WINDOW: 0, OWI mode should be entered between a 10ms and 80ms window after powering up. 1, the window is infinite and the OWI mode can be entered any time after powering up.

Table5.2 Pin configurations for OWI communications

OWI_AC_EN	OWI_WINDOW	Windows	Input Port	Output Port	Output Mode	OUT pin state mode	Shorten OUT and OWI	Typical Applications
0	0	10ms-80ms	OWI	OWI	OD	Hz	Supported	3-wire modules with 0~5V output (Short OUT and OWI pins), external pull-up resistor is needed
0	1	Infinite	OWI	OWI	OD	Signal Output	Not Supported	Cases that signal out and OWI communication are used simultaneously, external pull-up resistor is needed.
1	0	10ms-80ms	OWI	OUT	Push-Pull	OWI output	Supported	3-wire modules with 0-10V output, 2-wire modules with 4-20mA output. 0-5V output modules with big load capacitor
1	1	Infinite	OWI	OUT	Push-Pull	OWI output	Supported	Isolated Transmitter using OWI/OUT pins for Isolated communication

5.1.5. Dual-Port OWI Communication (OWI_AC_EN=1)

As described in 5.1.4, a special dual-port OWI communication is supported by the NSA2860X for applications in 4-20mA and 0-10V output products with no extra communication wires added. The protocol is shown in Figure 5.6, with the OWI pin as the slave input port, and the OUT pin as the slave output port.

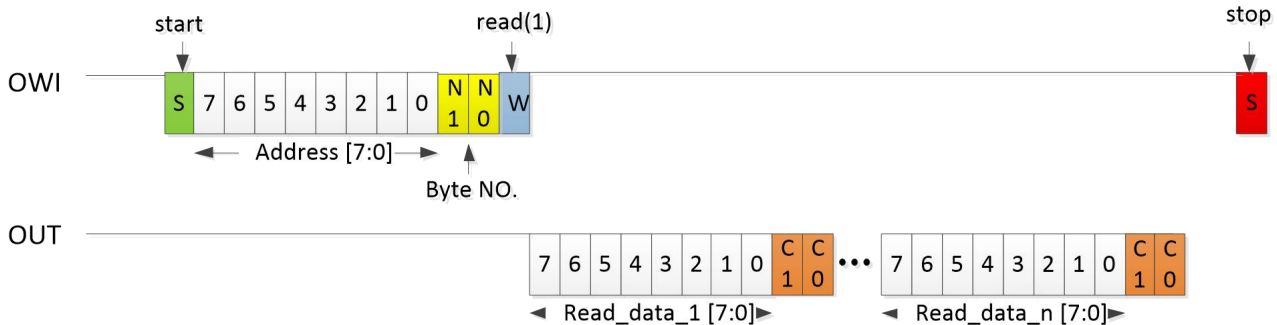


Figure 5.6 Dual Ports OWI Communication

As shown in 5.7, in 4-20mA applications, data transmission from the master to the chip is implemented by adding a square-waved signal on the power supply wire and AC coupling it onto the OWI pin with an external capacitor. The chip to master transmission data is modulated to the loop current (1: 10mA, 0: 4mA) and can be read out by the master through a comparator circuit. Limited by the response time of the current loop, the bit period of this OWI communication method should be no less than 100us. The advantage of this kind of communication method is that the LOOP+/LOOP- wires are multiplexed for communications and no extra communication wires needed. Similarly, in the 0-10V applications, data transmission from the master to chip is also implemented by signal coupling from the power supply to the OWI pin and data from chip to the master is put on the OUT pin. Also, only three wires (VDD, GND, OUT) are needed for a 0-10V product with no extra communication wires.

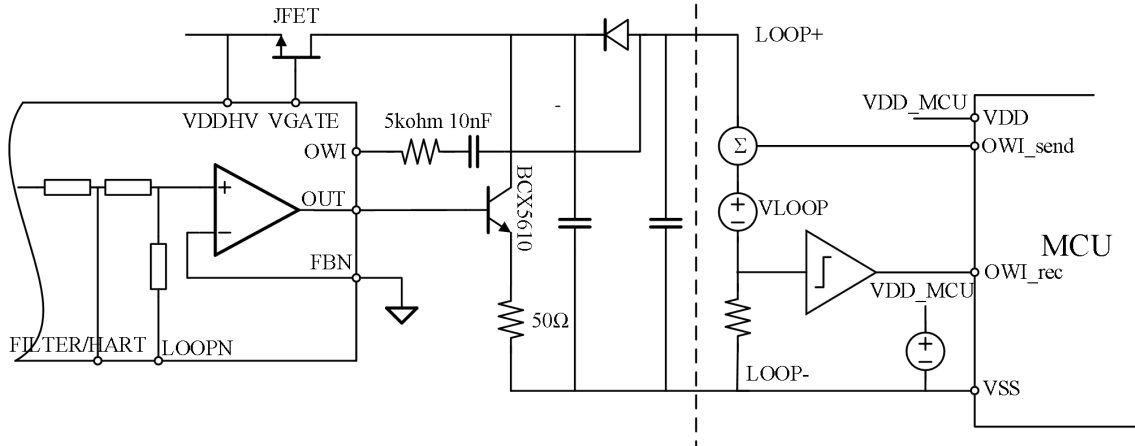


Figure 5.7 Typical circuit for the dual ports OWI communication in the 4~20mA applications

5.1.6. Quit OWI communication

Writing Reg0x61 with 0x5d during OWI mode can temporarily or permanently quit the OWI communication for output voltage or current measuring. The register byte 'OWI_QUIT_CNT' is used to set the quit time with the LSB = 50ms (0x00 means permanently quit), and the chip will be back into OWI mode again after the quit time's up.

5.2. SPI INTERFACE

5.2.1. Interface specification

Table5.3 SPI interface specifications

<i>Symbol</i>	<i>Parameter</i>	<i>Condition</i>	<i>Min</i>	<i>Max</i>	<i>Unit</i>
f_{sclk}	Clock frequency	Max load on SDIO or SDO = 25pF		10	MHz
t_{sclk_l}	SLCK low pulse		20		Ns
t_{sclk_h}	SLCK high pulse		20		
T_{sdi_setup}	SDI setup time		20		ns
T_{sdi_hold}	SDI hold time		20		ns
T_{sdo_od}	SDO/SDI output delay	Load = 25pF		30	ns
		Load = 250pF		40	ns
T_{csb_setup}	CSB setup time		20		ns
T_{csb_hold}	CSB hold time		40		ns

The figure below shows the definition of the SPI timing given in Table 5.3

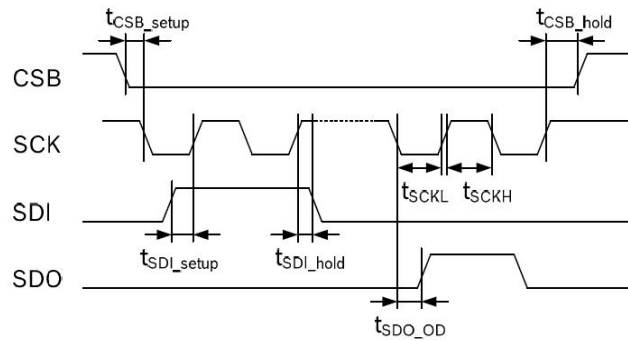


Figure 5.8 SPI timing diagram

The falling edge of CSB, in conjunction with the rising edge of SCLK, determines the start of framing. Once the beginning of the frame has been determined, timing is straightforward. The first phase of the transfer is the instruction phase, which consists of 16 bits followed by data that can be of variable lengths in multiples of 8 bits. If the device is configured with CSB tied low, framing begins with the first rising edge of SCLK.

The instruction phase is the first 16 bits transmitted. As shown in Figure 5.9, the instruction phase is divided into a number of bit fields.

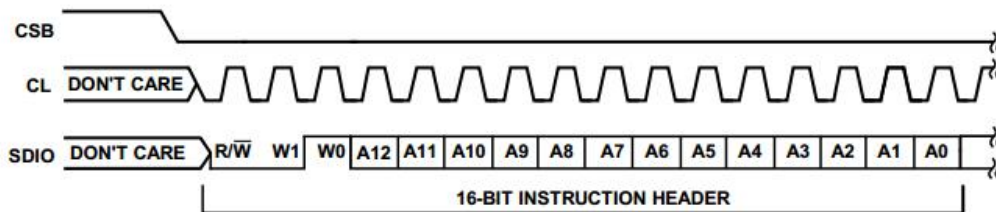


Figure 5.9 Instruction Phase Bit Field

The first bit in the stream is the read/write indicator bit (R/W). When this bit is high, a read is being requested, otherwise indicates it is a write operation.

W1 and W0 represent the number of data bytes to transfer for either read or write (Table 5.4). If the number of bytes to transfer is three or less (00, 01, or 10), CSB can stall high on byte boundaries. Stalling on a non-byte boundary terminates the communications cycle. If these bits are 11, data can be transferred until CSB transitions high. CSB is not allowed to stall during the streaming process.

The remaining 13 bits represent the starting address of the data sent. If more than one word is being sent, sequential addressing is used, starting with the one specified, and it either increments (LSB first) or decrements (MSB first) based on the mode setting.

Table 5.4 W1 and W0 settings

<i>W1:W0</i>	<i>Action</i>	<i>CSB stalling</i>
00	1 byte of data can be transferred.	Optional
01	2 bytes of data can be transferred.	Optional
10	3 bytes of data can be transferred.	Optional
11	4 or more bytes of data can be transferred. CSB must be held low for entire sequence; otherwise, the cycle is terminated.	No

Data follows the instruction phase. The amount of data sent is determined by the word length (Bit W0 and Bit W1). This can be one or more bytes of data. All data is composed of 8-bit words.

Data can be sent in either MSB-first mode or LSB-first mode (by setting 'LSB_first' bit). On power up, MSB-first mode is the default. This can be changed by programming the configuration register. In MSB-first mode, the serial exchange starts with the highest-order bit and ends with the LSB. In LSB-first mode, the order is reversed. (Figure 5.10)

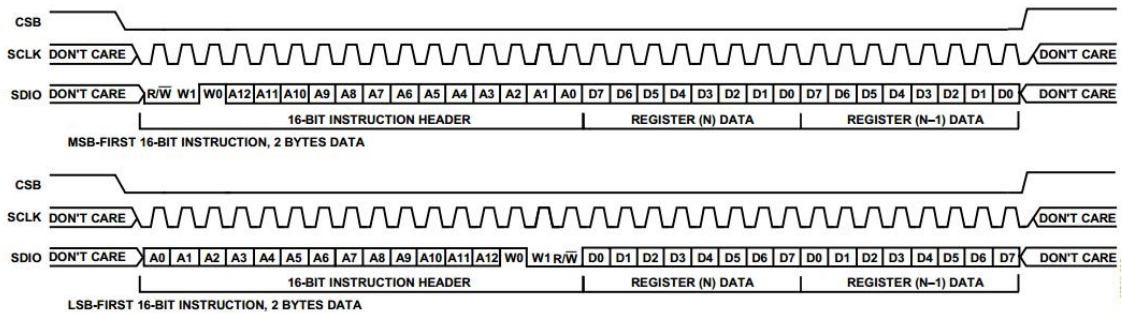


Figure 5.10: MSB First and LSB First Instruction and Data Phases

Register bit ‘SDO_active’ is responsible for activating SDO on devices. If this bit is cleared, then SDO is inactive and read data is routed to the SDIO pin. If this bit is set, read data is placed on the SDO pin. The default for this bit is low, making SDO inactive.

5.3. I2C INTERFACEE

I2C bus uses SCL and SDA as signal lines. Both lines are connected to VDDIO externally via pull-up resistors so that they are pulled high when the bus is free. The I2C device address of NSA2300 is shown below. The LSB bit of the 7bits device address is configured via SDO/ADDR pin.

Table5.5 I2C Address.

A7	A6	A5	A4	A3	A2	A1	W/R
1	1	0	1	1	0	1	0/1

Table5.6 Electrical specification of the I2C interface pins

<i>Symbol</i>	<i>Parameter</i>	<i>Condition</i>	<i>Min</i>	<i>Max</i>	<i>Unit</i>
f _{scl}	Clock frequency			400	kHz
t _{LOW}	SCL low pulse		1.3		Us
t _{HIGH}	SCL high pulse		0.6		Us
t _{SUDAT}	SDA setup time		0.1		Us
t _{HDDAT}	SDA hold time		0.0		Us
t _{SUSTA}	Setup Time for a repeated start condition		0.6		Us
t _{HDSTA}	Hold time for a start condition		0.6		Us
t _{SUSTO}	Setup Time for a stop condition		0.6		Us
t _{BUF}	Time before a new transmission can start		1.3		Us

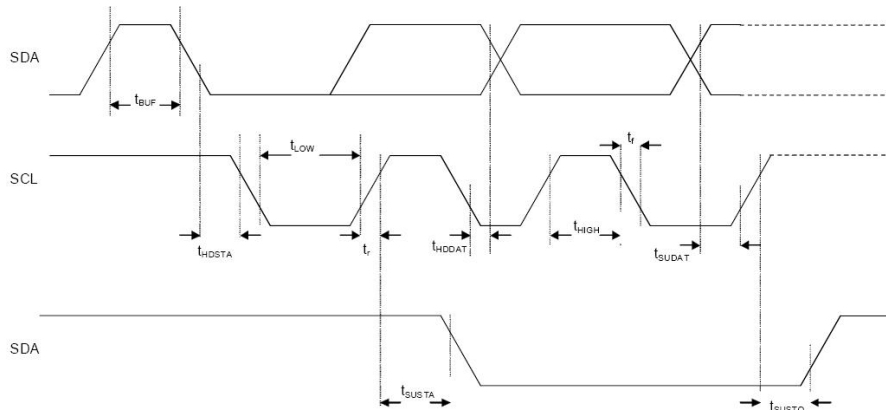


Figure 5.11 I2C Timing Diagram

The I2C interface protocol has special bus signal conditions. Start (S), stop (P) and binary data conditions are shown below. At start condition, SCL is high and SDA has a falling edge. Then the slave address is sent. After the 7 address bits, the direction control bit R/W selects the read or write operation. When a slave device recognizes that it is being addressed, it should acknowledge by pulling SDA low in the ninth SCL (ACK) cycle.

At stop condition, SCL is also high, but SDA has a rising edge. Data must be held stable at SDA when SCL is high. Data can change value at SDA only when SCL is low.

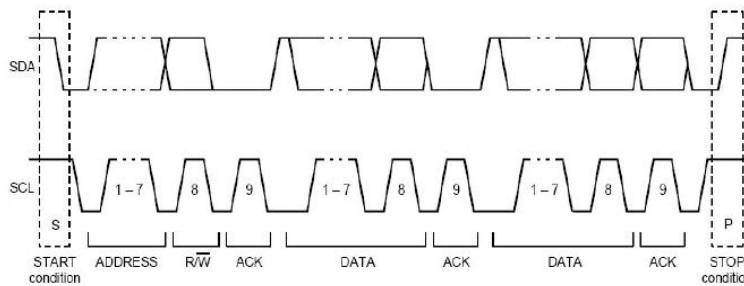


Figure 5.12 I2C Protocol

NSA2860X can support single byte read/write and multi-byte read/write operation. The transfer format is shown in the figure 5.13.

I2C Write 1 Byte Data



I2C Write N Bytes Data



I2C Read 1 Byte Data



I2C Read N Bytes Data



Figure 5.13 I2C Transfer Format

NSA2860X

6.0 PACKAGE INFORMATION

NSA2860X has two package options: QFN20 and SSOP16. The pin configuration is shown as below:

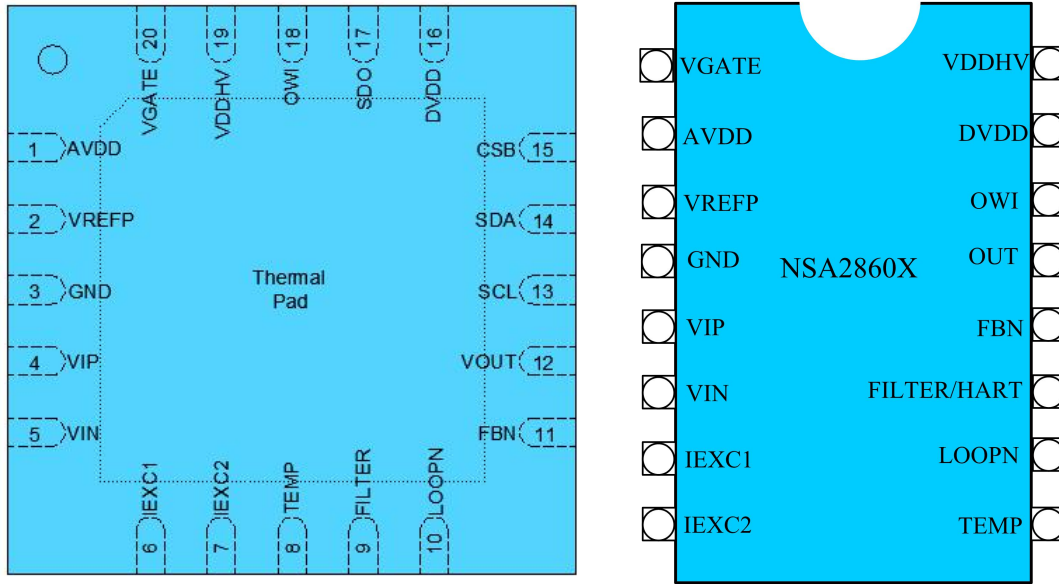
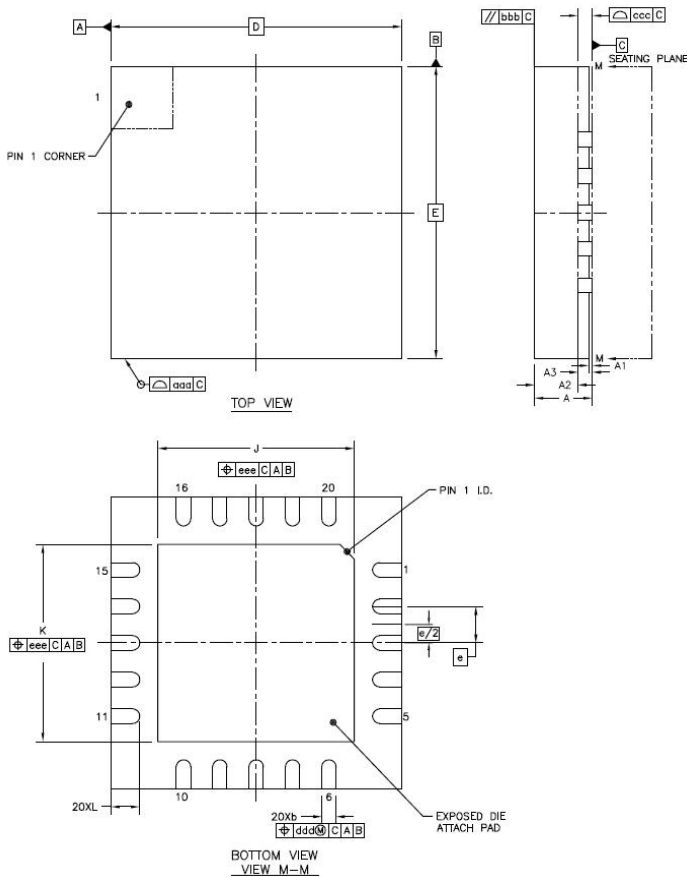


Figure 6.1 QFN20 and SSOP16 package pin configuration



DESCRIPTION	SYMBOL	MILLIMETER			
		MIN	NOM	MAX	
TOTAL THICKNESS	A	0.70	0.75	0.80	
STAND OFF	A1	0.00	---	0.05	
MOLD THICKNESS	A2	0.50	0.55	0.60	
L/F THICKNESS	A3	0.203 REF			
LEAD WIDTH	b	0.15	0.20	0.25	
BODY SIZE	X	D	3.95	4.00	4.05
	Y	E	3.95	4.00	4.05
LEAD PITCH	e	0.5 BSC			
EP SIZE	X	J	2.65	2.70	2.75
	Y	K	2.65	2.70	2.75
LEAD LENGTH	L	0.35	0.40	0.45	
PACKAGE EDGE TOLERANCE	aaa	0.1			
MOLD FLATNESS	bbb	0.1			
COPLANARITY	ccc	0.08			
LEAD OFFSET	ddd	0.1			
EXPOSED PAD OFFSET	eee	0.1			

Figure 6.2 QFN20 Package

NSA2860X

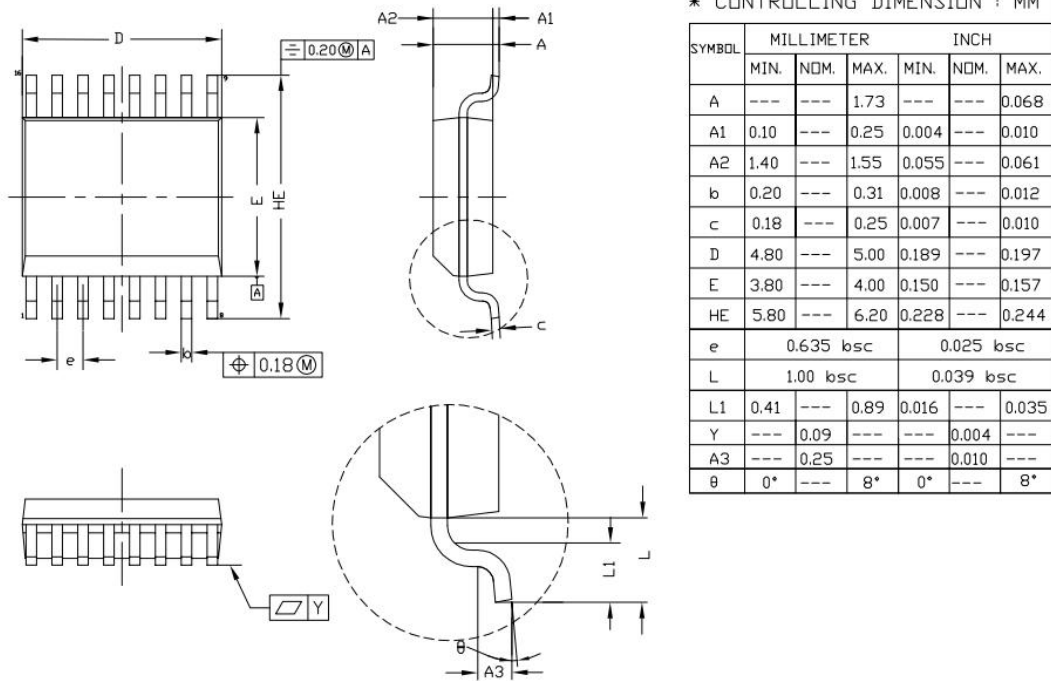


Figure 6.3 SSOP16 Package

Table6.1 QFN20 and SSOP16 Pin Configuration and Description

QFN20 Pin No.	SSOP16 Pin No.	Pin Name	Type	Description
1	2	AVDD	Supply	Internal power supply
2	3	VREFP	Analog	Reference voltage output/input
3	4	GND	Supply	Ground
4	5	VIP	Analog	Analog input positive
5	6	VIN	Analog	Analog input negative
6	7	IEXC1	Analog	1 st constant current source
7	8	IEXC2	Analog	2 nd constant current source
8	9	TEMP	Analog	External temperature sensor input (ODR_T≠1111b) External Negative Reference Voltage input (ODR_T=1111b)
9	11	FILTER/HART	Analog	DAC output filter /HART
10	10	LOOPN	Analog	Loop negative port
11	12	FBN	Analog	Output drive feedback
12	13	VOUT	Analog	Driver output pin
13	N/A	SCL	Digital Output	I2C/SPI clock signal
14	N/A	SDA	Digital I/O	I2C data signal (SDA) or SPI data signal(SDIO)

NSA2860X

15	N/A	CSB	Digital Input	2C/SPI mode selection pin , SPI chip selection
16	15	DVDD	Supply	1.8V DVDD digital LDO output
17	N/A	SDO/DRDYB	Digital Output	4-wire SPI date output/data ready interruption
18	14	OWI	Digital I/O	One-wire interface
19	16	VDDHV	Analog	Supply with overvoltage/reverse voltage protection
20	1	VGATE	Analog Output	JFET Regulation Output

7.0 TYPICAL APPLICATIONS

7.1. APPLICATION 1: 0~5V VOLTAGE OUTPUT SENSOR

Absolute or ratiometric voltage output pressure sensor, with bridge driven by constant current source. Internal temperature sensor output is used for temperature compensation. For OWI communication, OWI can be separated with VOUT or shorted to VOUT pin.

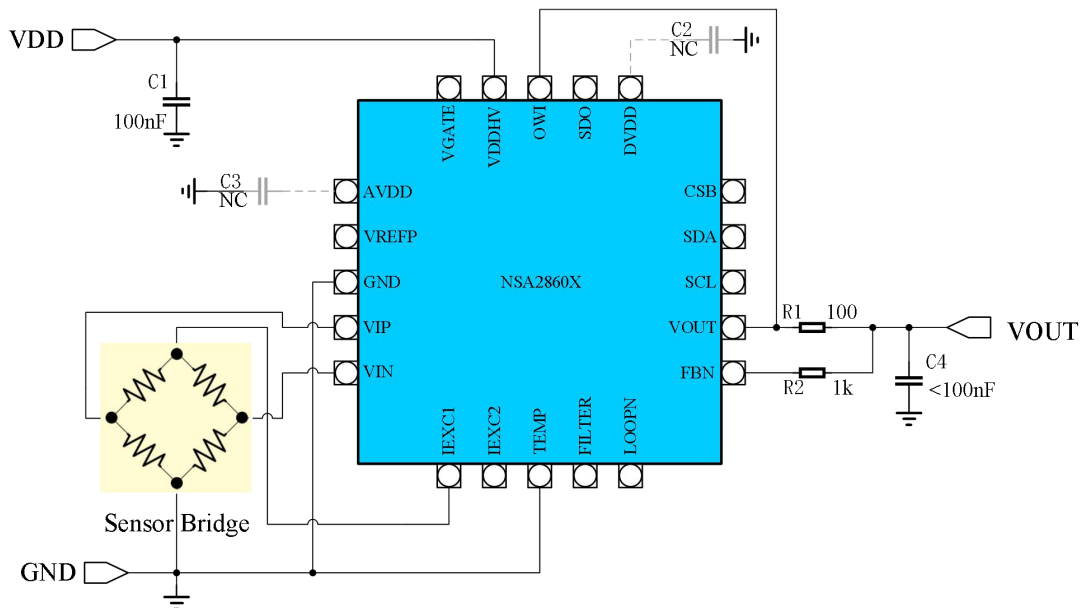


Fig7.1 Absolute/ratiometric 0~5V voltage output

7.2. APPLICATION 2: 0~10V OUTPUT PRESSURE TRANSMITTER

Below is an absolute 0~10V voltage output pressure transmitter with external JFET regulator. The sensor bridge is supplied by VREFP and an external diode is used as temperature sensor. C5 (>50V) is the AC coupling capacitor used for dual-port OWI communication and R1 is for protecting OWI pin, C6 is an optional filtering capacitor.

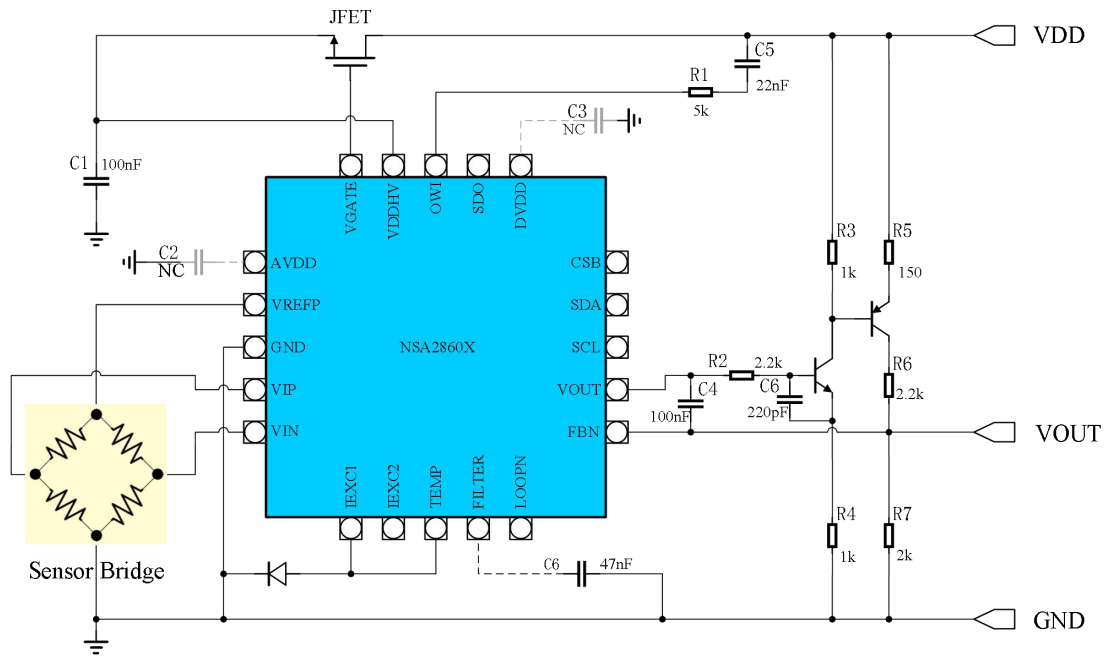


Fig7.2 0~10V output pressure transmitter

7.3. APPLICATION 3: 4~20MA PRESSURE TRANSMITTER 1

Use external JFET to supply AVDD. Sensor is constant current driven. R4 (Low TC) is connected to IEXC2 ('IEXC2' set as 4'b1111) to generate low drift constant current. Bridge voltage is used as the external temperature sensor. R5 is 50ohm precision resistor with low TC for loop current feedback. Dual-port OWI communication is used with OWI pin as the input port, and the output data is modulated on the loop current. No extra wire is needed for communication.

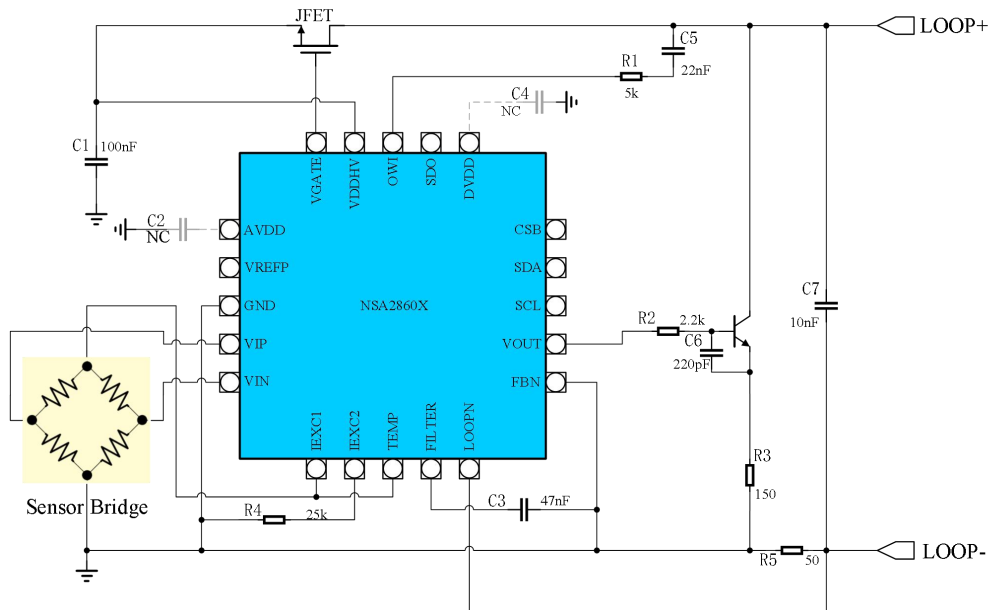


Fig7.3 4~20mA output pressure transmitter(with JFET)

NSA2860X

7.4. APPLICATION 4: 4~20MA PRESSURE TRANSMITTER 2

Similar as 3, except a NPN transistor and a 50kΩ resistor is used to replace the JFET, sensor is driven by VREFP and a low TC resistor is used to sensing the sensor temperature.

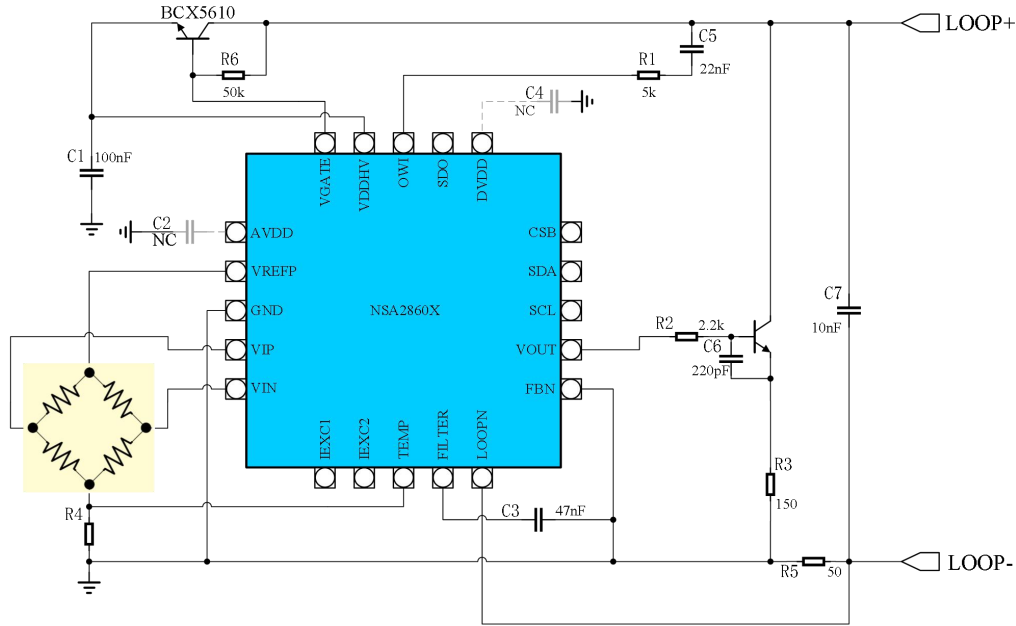


Fig7.4 4~20mA output pressure transmitter(with bipolar)

7.5. APPLICATION 5: ISOLATED PRESSURE SENSOR TRANSMITTER

The NSA2860X is supplied with isolated power. 'OWI_AC' and 'OWI_WINDOW' are set '1' to allow the user to use OWI for communication between the NSA2860X and the external MCU through two channel digital isolator.

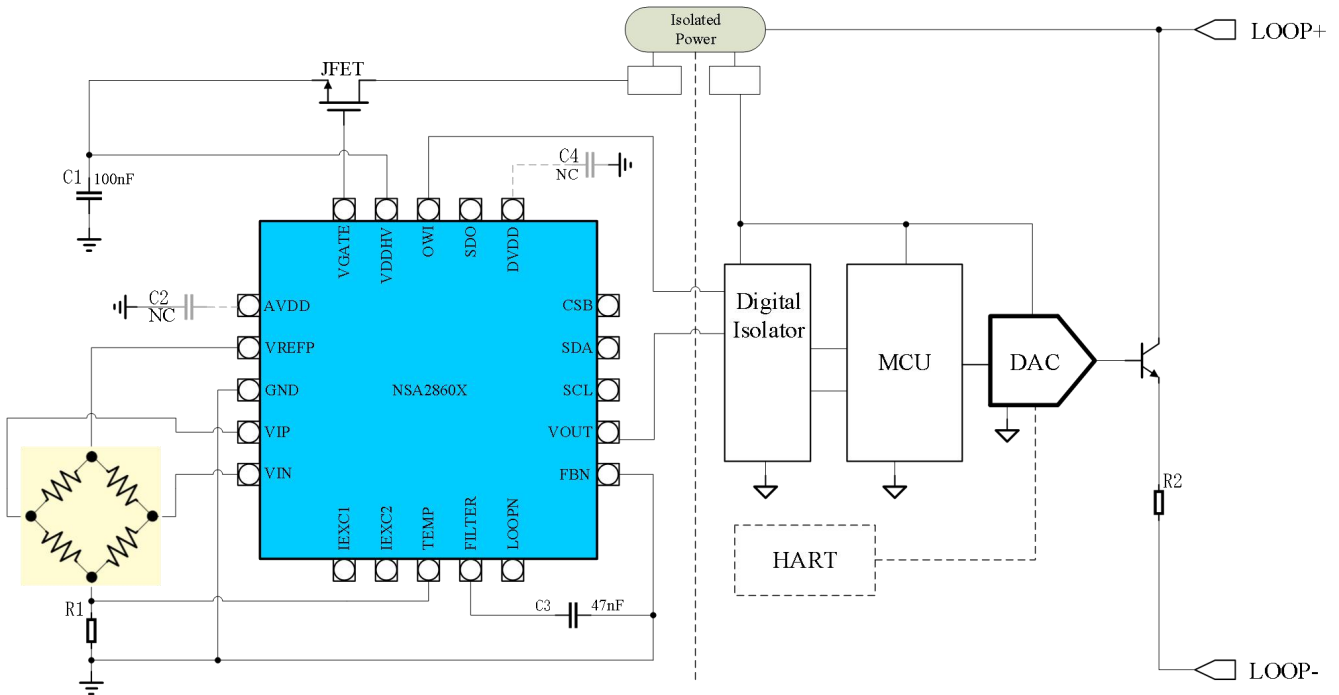


Fig7.5 Isolated pressure transmitter

7.6. APPLICATION 6: THERMAL COUPLE 4~20MA TEMPERAURE TRANSMITTER

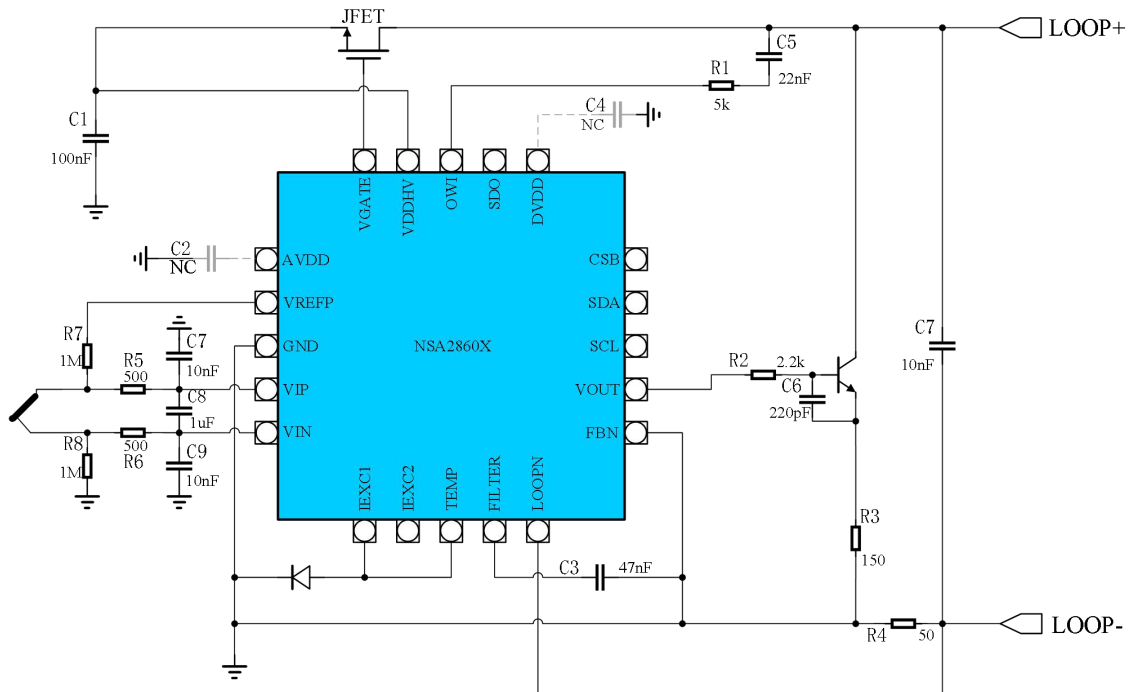


Figure 7.6 Thermocouple 4~20mA temperature transmitter

7.7. APPLICATION 7: 4~20MA THERMOCOUPLE TEMPERATURE TRANSMITTER

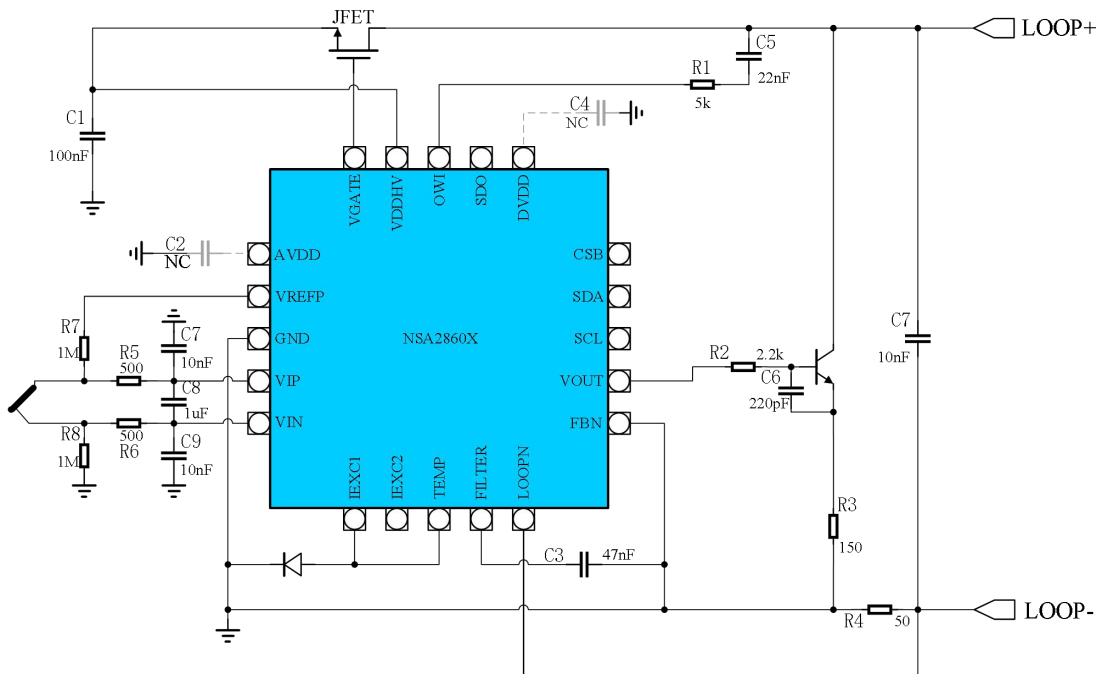


Fig7.7 4~20mA thermocouple temperature transmitter

8.0 TAPE/REEL INFORMATION

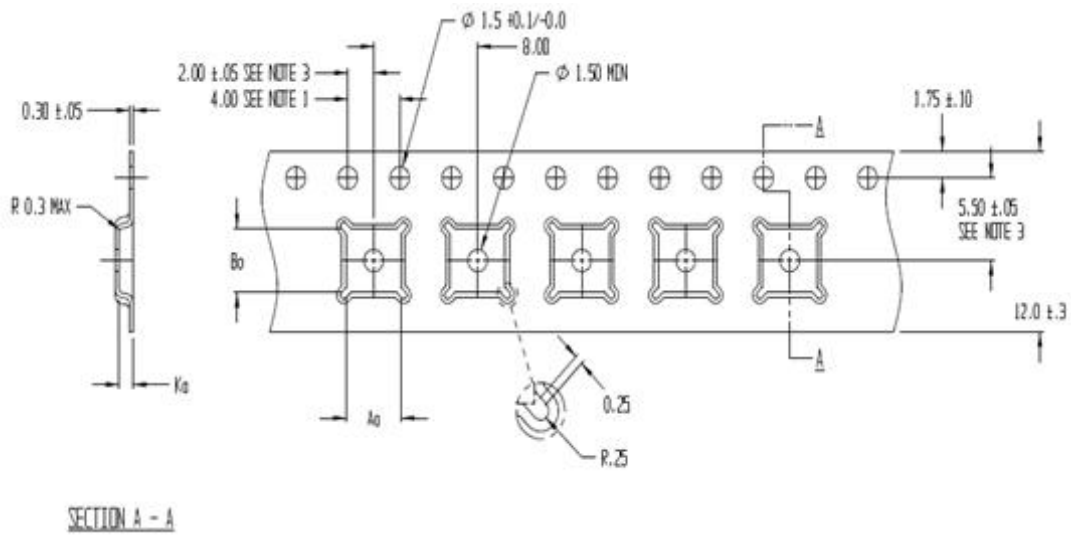


Figure 8.1 Tape/reel diagram for QFN20

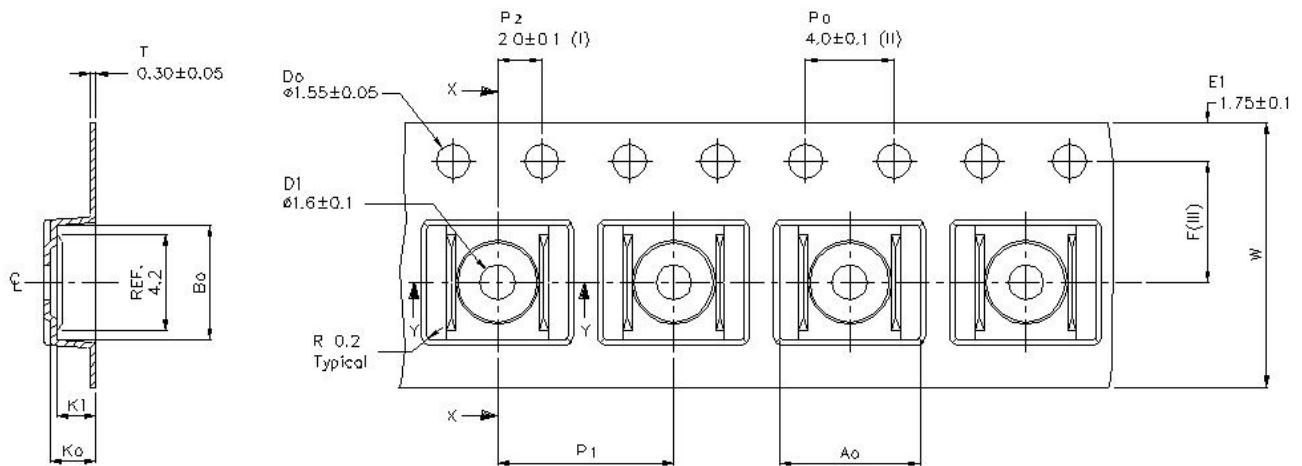


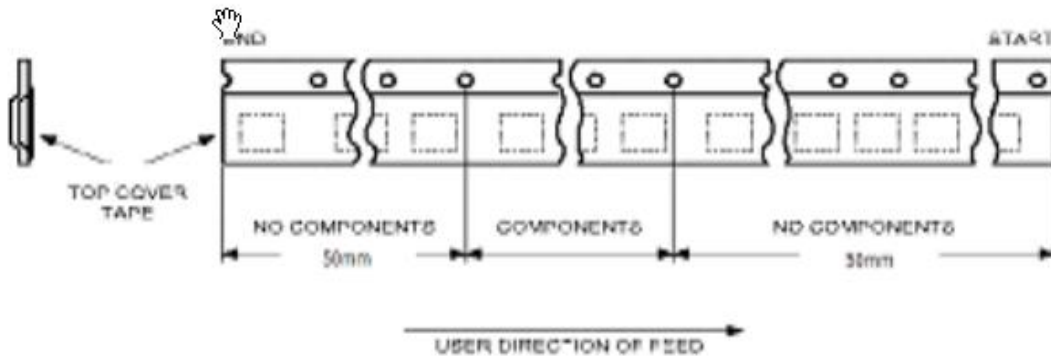
Figure 8.2 Tape/reel diagram for SSOP16

Part No.	Package type	A0	B0	K0	K1	F	P1	W
----------	--------------	----	----	----	----	---	----	---

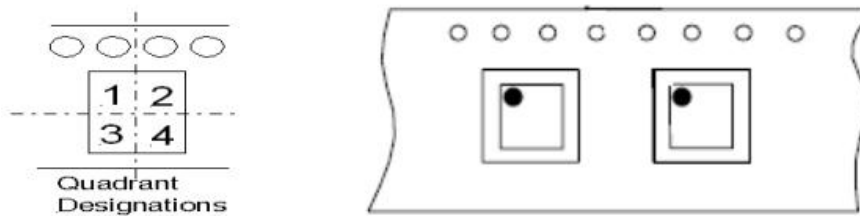
NSA2860X

		(mm)	(mm)	(mm)	(mm)	(mm)	(mm)	(mm)
NSA2860X-QQNR	QFN20	4.25	4.25	1.1	N/A	5.50±0.05	8.00±0.1	12.0±0.3
NSA2860X-DSSR	SSOP16	6.5±0.1	5.3±0.1	2.2±0.1	1.9±0.1	5.5±0.1	8.0±0.1	12.0±0.3

There is no component at the head and the tail of each tape/reel, where the space is 50cm, as shown in the following figure,



Pin 1 is located at the first quadrant, as shown in the following figure,



9.0 ORDER INFORMATION

Part No.	Unit	Description
NSA2860X-QQNR	2500ea/REEL	QFN20
NSA2860X-DSSR	2500ea/REEL	SSOP16

10.0 REVISION HISTORY

Revision	Description	Date
1.0	Initial Version	2019/03/25
1.1	Modify the package type and application diagram	2020/02/24
1.2	Modify some parameters and add SSOP16 package	2020/06/06
1.3	Modify the part number and typo	2020/11/17