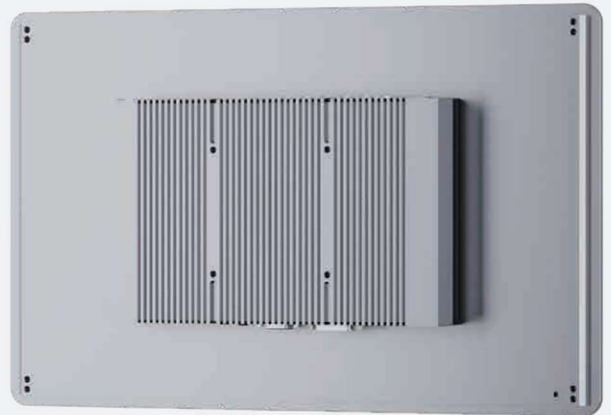


ET-AF185-TP

Industrial Touch Display

Monitor All-aluminum Frame



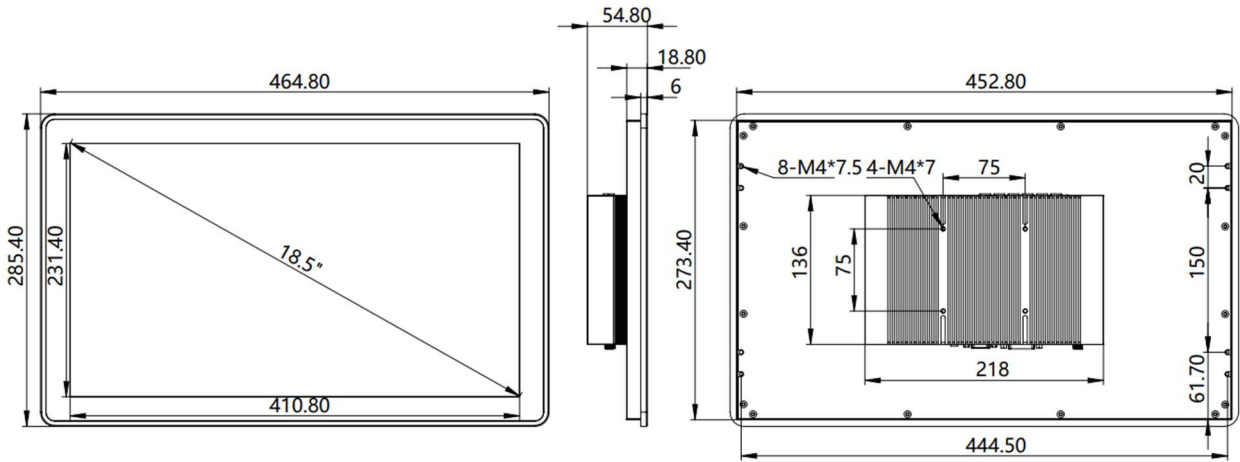
18.5 inch ultra-thin touch display monitor

- 18.5 inch, 16:9, resolution: (1) 1366*768 (2) 1920*1080 optional
- Viewing Angle: 85/85/80/80 (L/R/U/D)
- 10-point capacitive touch /no touch
- 1*HDMI, 1*VGA, 1*DVI, 1*USB(touch interface), 1*on/off button, serial port of touch can be customized
- 12V DC Power (wide voltage power supply is optional, Phoenix terminal)
- Dimensions of mounting holes (we recommend):
(1)1366*768: 454*275mm (W*H) (2)1920*1080 449*273mm(W*H)
- Outline dimension:
(1)1366*768: 465mm*285mm*69mm(W*H*D) (2) 1920*1080: 461mm*282mm*69mm(W*H*D)
- Installation mode: (1)75mm*75mm VESA installation; (2)Front embedded installation

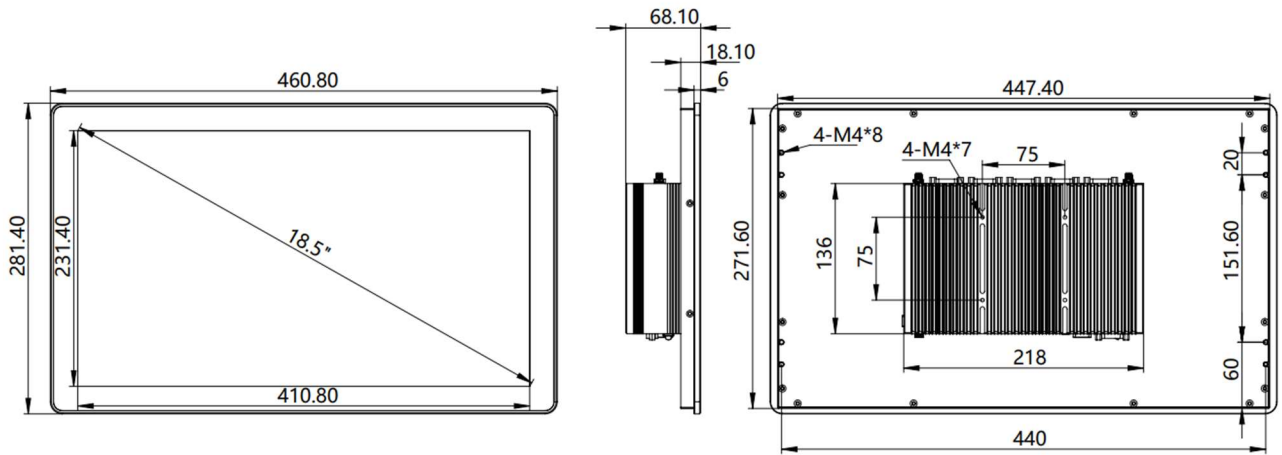
SPECIFICATION PARAMETER

Interface	Buttons	OSD on the rear side, contrast ratio/brightness can be adjusted
	USB	1*USB(touch), serial port of touch can be customized
	I/O connector	1*HDMI/1*VGA/1*DVI/1*USB (touch)
	Structure	front frame: 6061 Aluminium alloy, Silver hard anodized
Physical characteristics	Dimension (W*H*D)	465mm*285mm*69mm/461mm*282mm*69 (1920*1080)
	Hole size	454mm*275mm/449mm*273 (1920*1080)
	Net Weight	5.42kg
Power Supply	Input voltage	12V DC (wide voltage power supply is optional), Phoenix terminal
	Max power consumption	8W
TFT LCD screen	Mode of screen	18.5" TFT
	Resolution	1366*768 / 1920*1080 optional
	Colors	16.7MB
	Backlight	LED
	Backlight MTBF(hours)	50,000hrs
	Pixel pitch	0.3*0.3
	Brightness	1366*768: 500cd/m ² ; 1920*1080: 250cd/m ²
	Contrast Ratio	800:1
	Viewing Angle	85/85/80/80 (L/R/U/D)
Touch screen	Type	10-point capacitive touch/no touch
	Controller	USB interface (serial port of touch can be customized)
	Light transmittance	>95%
	Response time (touch pen)	<5ms
	Surface Hardness	Mohs hardness 7H
	Touch lifetime	250g/35,000,000 times
	Stroke lifetime	250g/5,000,000 times
Environmental parameter	Operating temperature	1) Standard: 0~50°C ; 2) optional: -20~60°C
	Storage temperature	-20~60°C
	Relative humidity	10~95% RH@40°C, non-condensing
	Working vibration	SSD applied:1.5 Grms,5~500HZ, 1 hr/axis
	Working impact	SSD applied:10G, Half sine wave
	EMC	CE/FCC, class B
	Waterproof	IP65 of front cover

DIMENSION



(1366*768)



(1920*1080)

INTERFACE DRAWING

