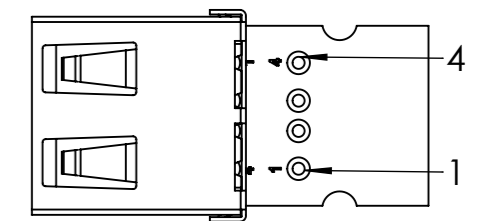
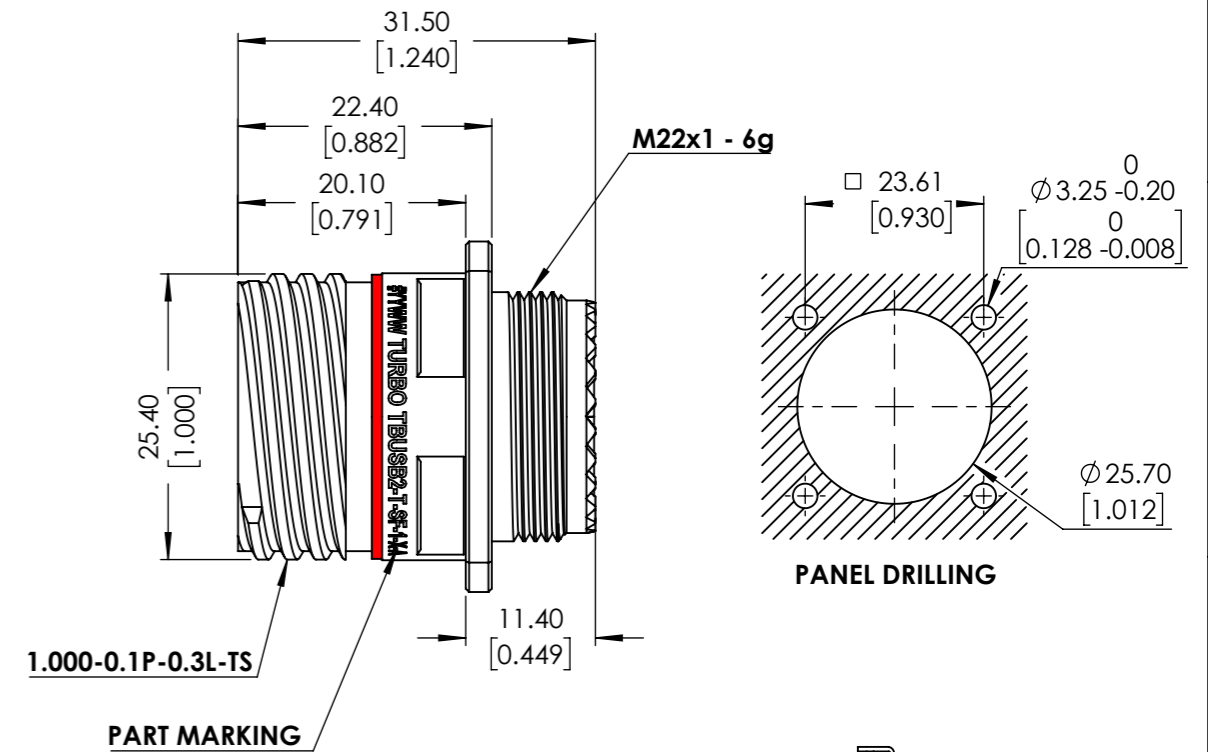
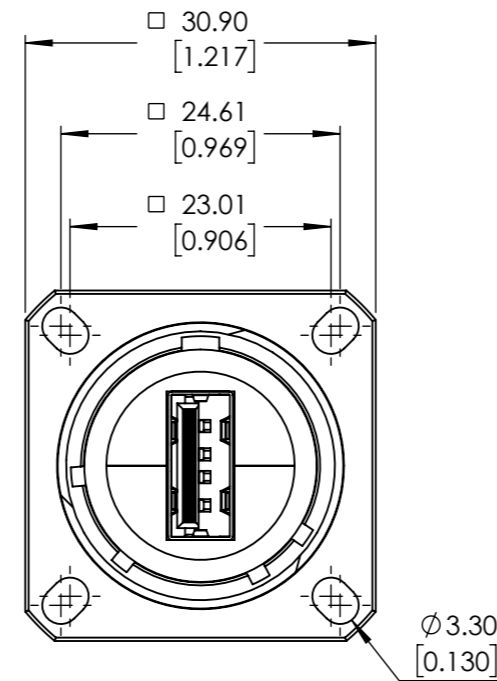
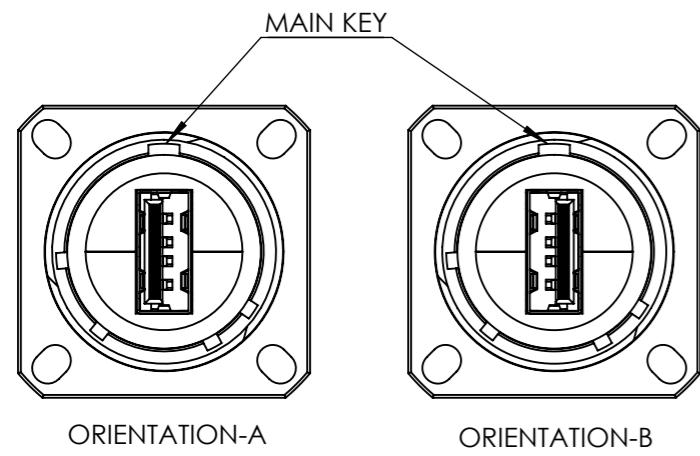


CUSTOMER REFERENCE DRAWING



TBUS2-T-SF-1-W-A

PRODUCT SERIES CODE

CONNECTOR INTERFACE

T : THREADED TYPE
(MIL-DTL-38999 SERIES III & IV,
SHELL SIZE 15)

SHELL TYPE

SF-SQUARE FLANGE RECEPTACLE

INSERT ORIENTATION

A- INSERT ORIENTATION -A

B- INSERT ORIENTATION -B

OMIT FOR SUB ASSEMBLY OF USB2 PCB+INSERTS
ASSEMBLY WILL BE IS SUPPLIED IN PLASTIC BOX

MATERIAL & FINISH

N - AL ALLOY - ELECTROLESS NICKEL

W - AL ALLOY - CADMIUM OLIVE DRAB

Z - AL ALLOY - ZINC NICKEL BLACK

TYPE OF PCB TERMINATION

1 - 2 FEMALE USB2.0 TYPE A

4 - 4 TINNED HOLES FOR SOLDERING

NOTE:
1. DIMENSIONS IN PARENTHESIS ARE IN INCHES.
2. ASSEMBLY OF INSERTS AND SUB ASSEMBLY OF "FEMALE USB 2.0 PCB " WILL BE DELIVERED IN SEPARATE PACKING BOX FOR TYPE 4 OF PCB TERMINATION.

| | | | | | | |
|--|---------------|---|---|--|---------------|-------------------|
| <p>THIS DOCUMENT IS SOLE PROPERTY OF TURBO INDIA, AND IS ISSUED IN STRICT CONFIDENCE THAT IT WILL NOT BE REPRODUCED IN ANY WAY OR USED TO SOLICIT BUSINESS OF A COMPETITIVE NATURE. DISTRIBUTION OF THIS DOCUMENT IS PROHIBITED UNLESS WRITTEN CONSENT IS OBTAINED FROM TURBO INDIA. THIS DOCUMENT IS SUITABLE FOR ENGINEERING EVALUATION AND MAY BE USED IN TECHNICAL SPECIFICATIONS.</p> | PART NUMBER: | --- | <p>UNLESS OTHERWISE NOTED: DIMENSIONS ARE IN MM : FRACTION ARE ± 1/16 .XX DECIMALS ARE ± .10 .XXX DECIMALS ARE ± .07 ANGLES ARE ± 2° DO NOT SCALE THIS DRAWING</p> | DOC NO : TICS-F-195 | REVISION : 00 | DATE : 27-12-2022 |
| | MATERIAL: | --- | | | | |
| | SURFACE AREA: | --- | | | | |
| | EST. WEIGHT: | --- | | | | |
| | DRAWN: | SP | <p>THIRD ANGLE PROJECTION</p> | <p>DESCRIPTION: TBUS2-T RECEPTACLE CONNECTOR</p> | | |
| | CHECKED: | RK | | | | |
| APPROVED: | RK | DRAWING NUMBER: CRD-TBUS2-T-SF-X-X-X | | REVISION: 0 | | |
| DATE: | 25-01-2023 | | | SHEET 1 OF 1 | | |